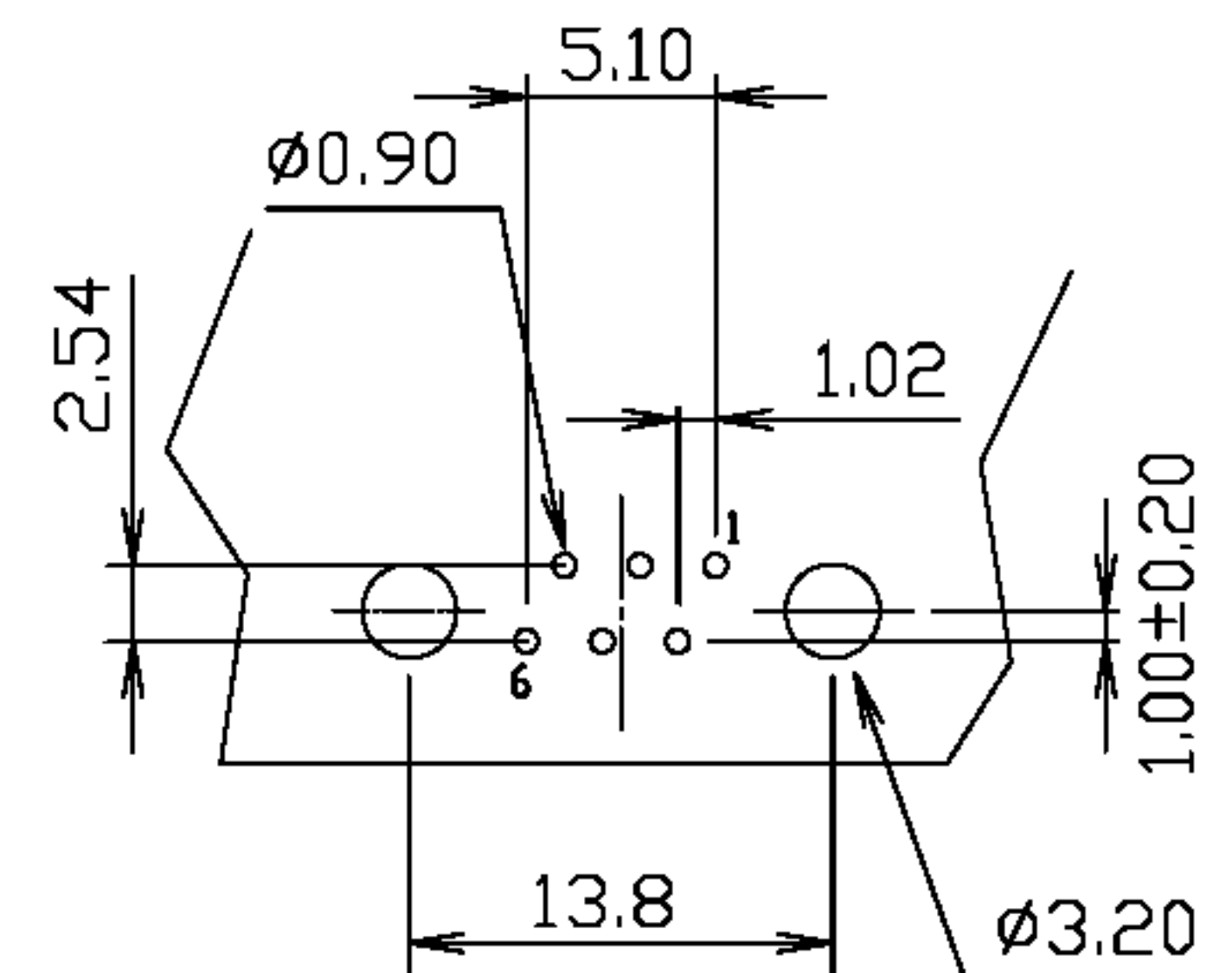
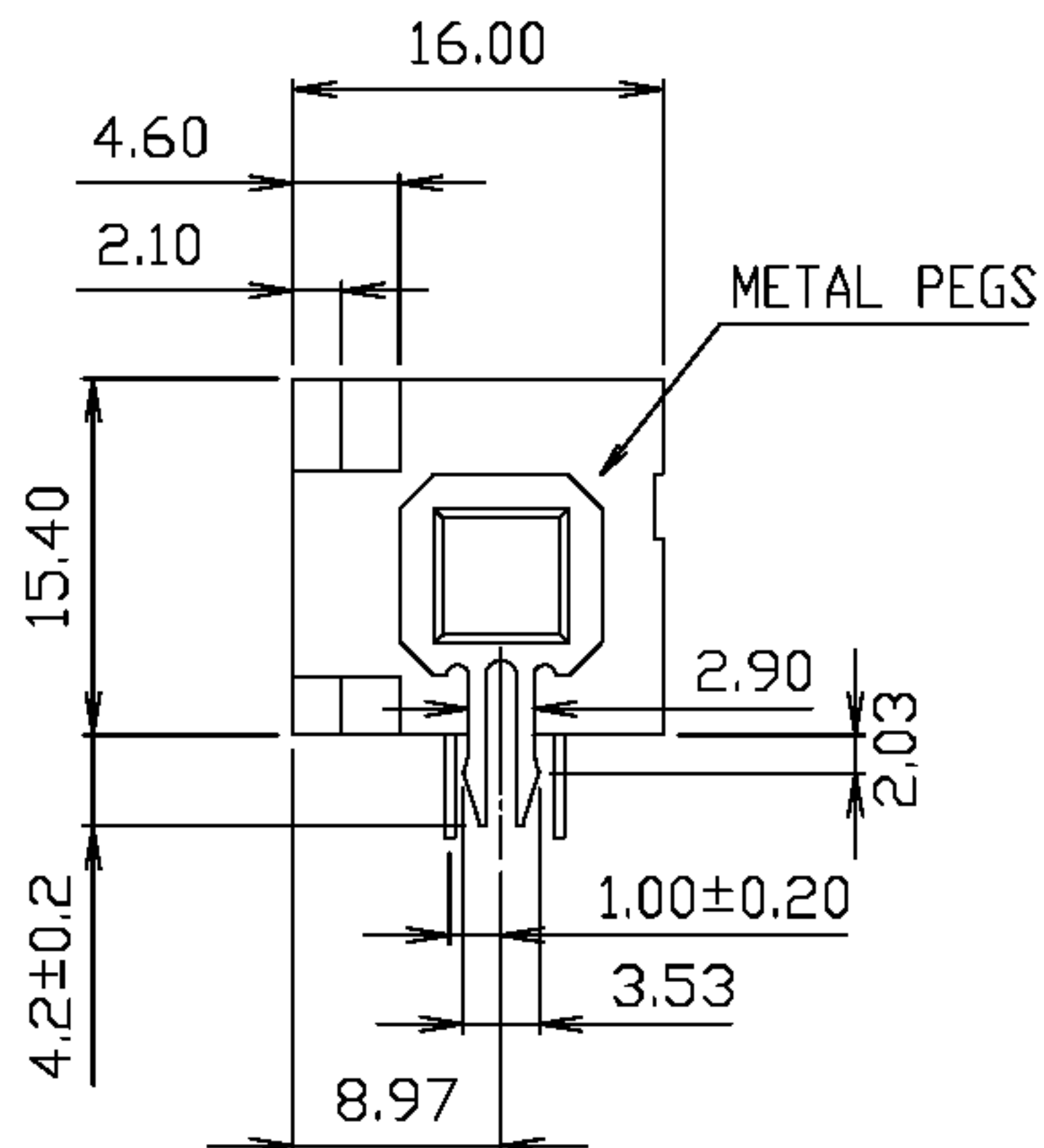
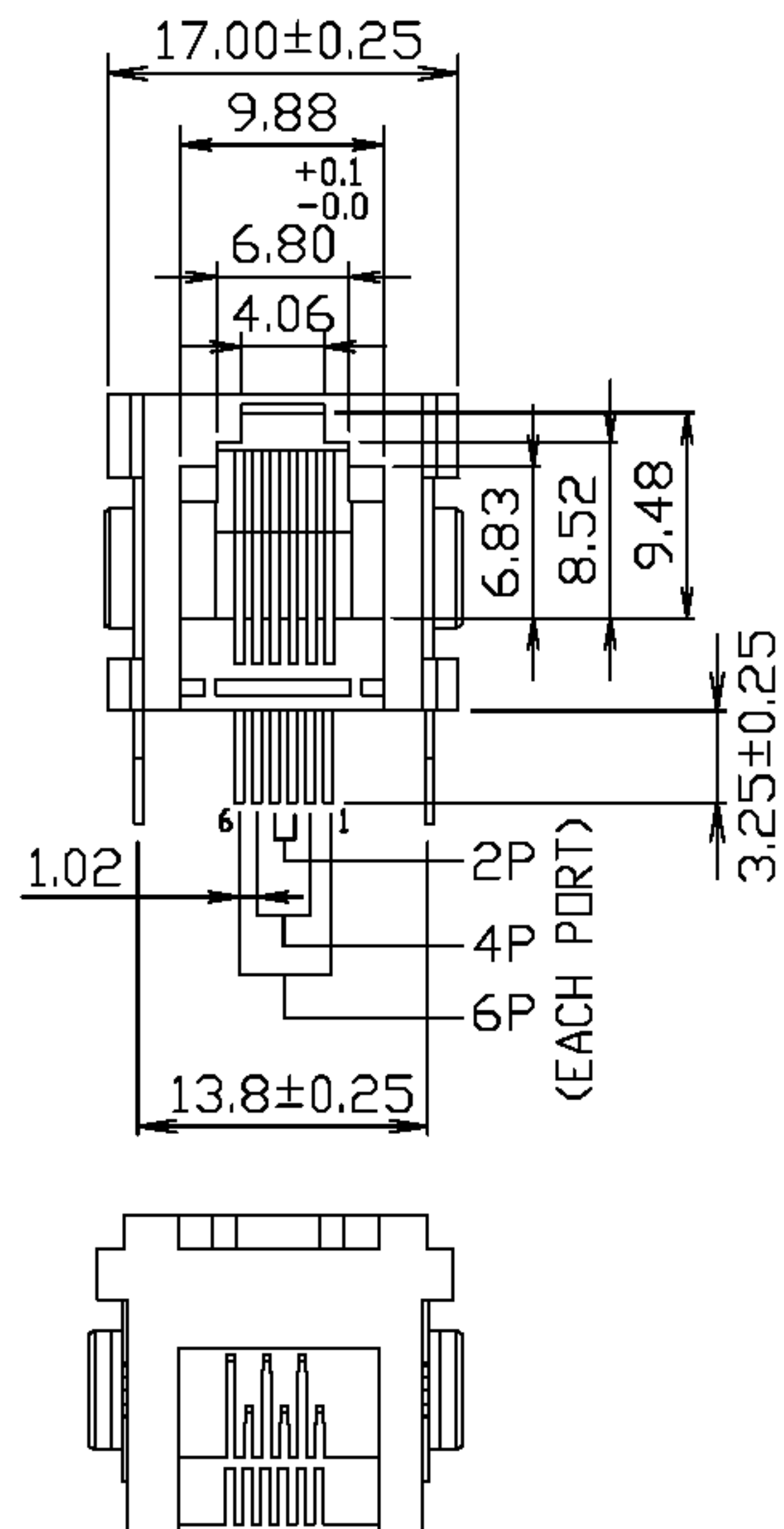


RoHS Compliance



PC Board Layout
Ref.

淮洋有限公司 HUI YANG CO., LTD.
TEL : 886-2-8261-8986 FAX : 886-2-8261-1885
www.hy1688.com.tw 236新北市土城區中央路二段191號10樓之5

DO NOT SCALE
DRAWING

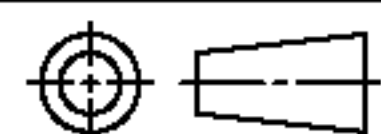
TOLERANCES UNLESS
OTHERWISE NOTED

INCH

MM

DR.
CIAN.CI.LUO

DATE
NOV-06 '09



THIRD ANGLE PROJECTION

LINEAR $\frac{\text{MM}}{\text{INCH}}$

00 ± .01
000 ± .005
0000 ± .002

0.0 ± 0.25
0.00 ± 0.13
0.000 ± 0.05

CK'D
M.CHANG

DATE
NOV-06 '09

TITLE
1 PORTS 6 POSITION SIDE ENTRY
MATEL PEGS PCB GANED JACK

MM
INCH

ANGLE ± 0° 30'

RADII

+ 0.40
- 0.15

APP'D
W.J.YANG

DATE
NOV-07 '09

SCALE SIZE DWG.NO. REV. SHEET
963006 2 1