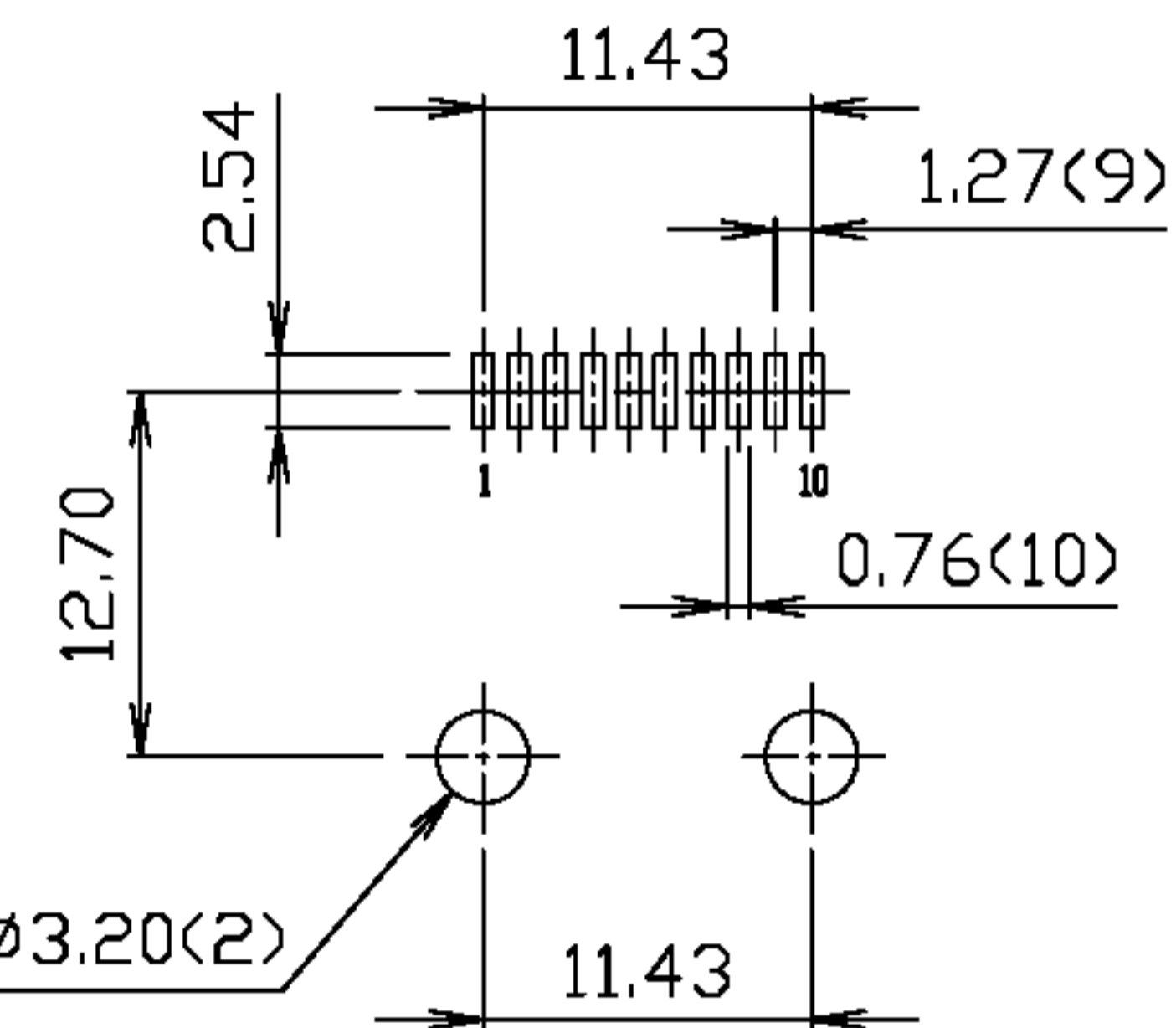
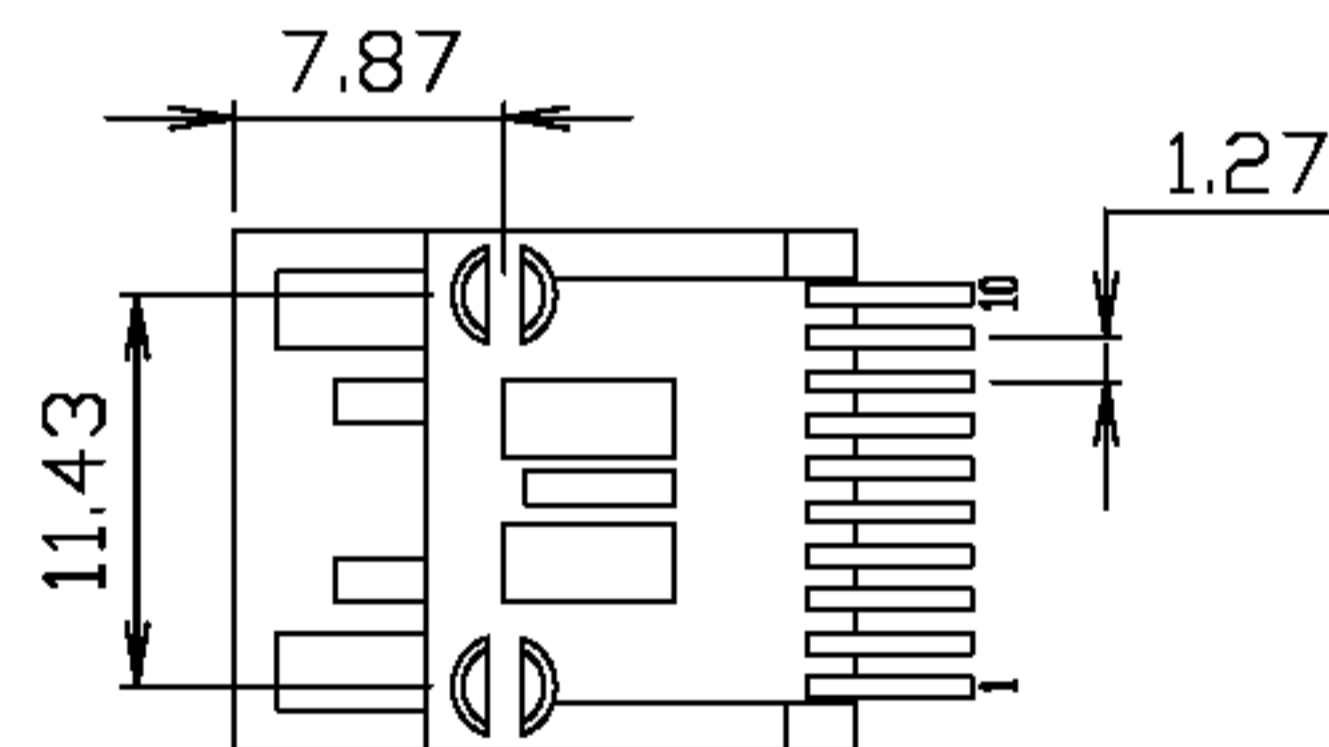
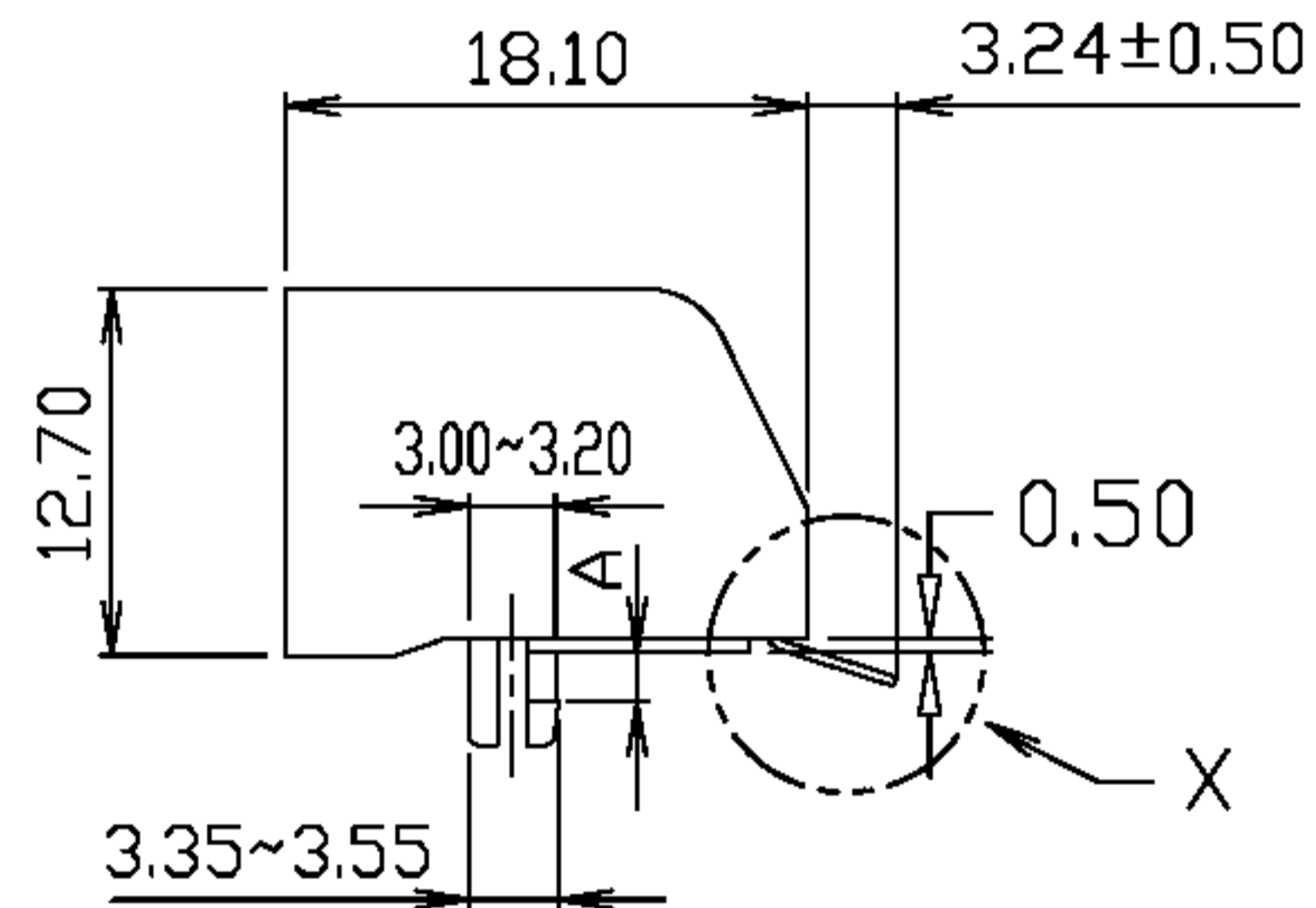
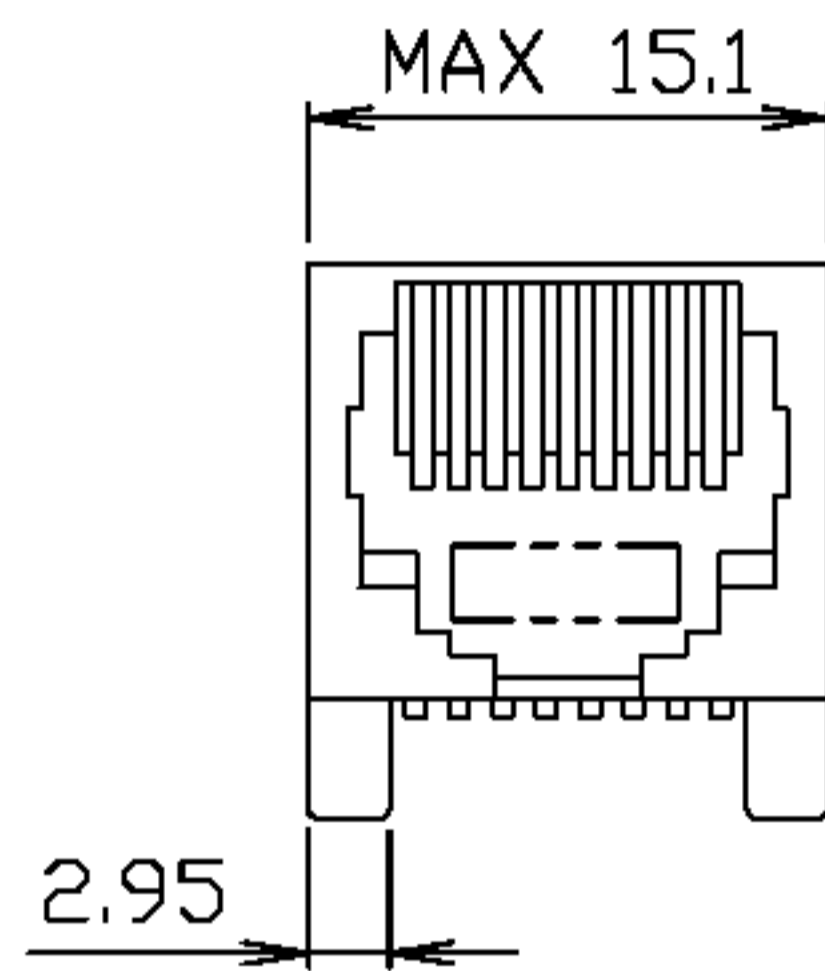


DETAIL X



PC Board Layout
Ref.

淮洋有限公司 HUI YANG CO., LTD.

TEL : 886-2-8261-8986 FAX : 886-2-8261-1885

www.hy1688.com.tw 236新北市土城區中央路二段191號10樓之5

TITLE 10POSITION, SMT TYPE
LOW PROFILE, SIDE ENTRY PCB JACK

| | | | | |
|-------|------|---------|------|-------|
| SCALE | SIZE | DWG.NO. | REV. | SHEET |
| | | 962602 | 2 | 1 |

DO NOT SCALE
DRAWING

TOLERANCES UNLESS
OTHERWISE NOTED

INCH

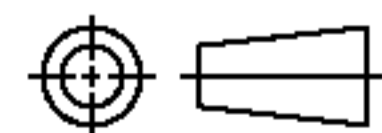
MM

DR.

H.W.CHAN

DATE

DEC-04 '07



THIRD ANGLE PROJECTION

LINEAR

MM

INCH

00 ± .01

000 ± .005

0000 ± .002

0.0 ± 0.25

0.00 ± 0.13

0.000 ± 0.05

CK'D

M.CHANG

DEC-04 '07

APP'D

W.J.YANG

DEC-05 '07

MM
INCH

ANGLE ± 0° 30'

RADII

+ 0.40
- 0.15