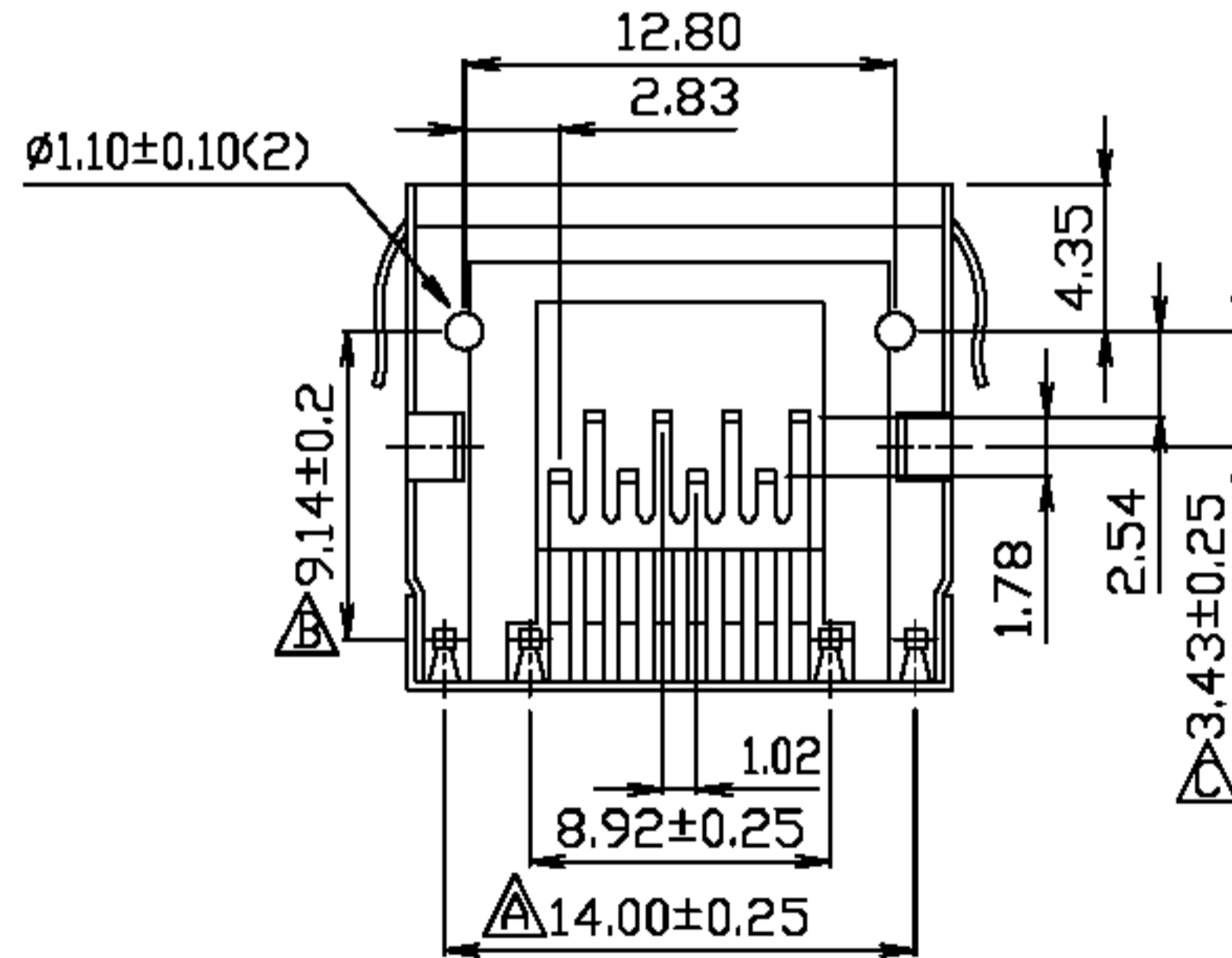
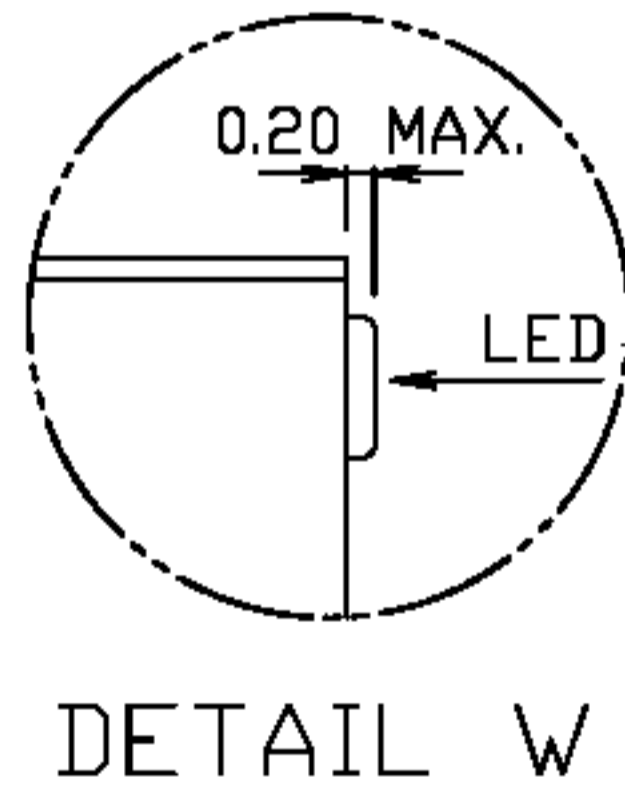
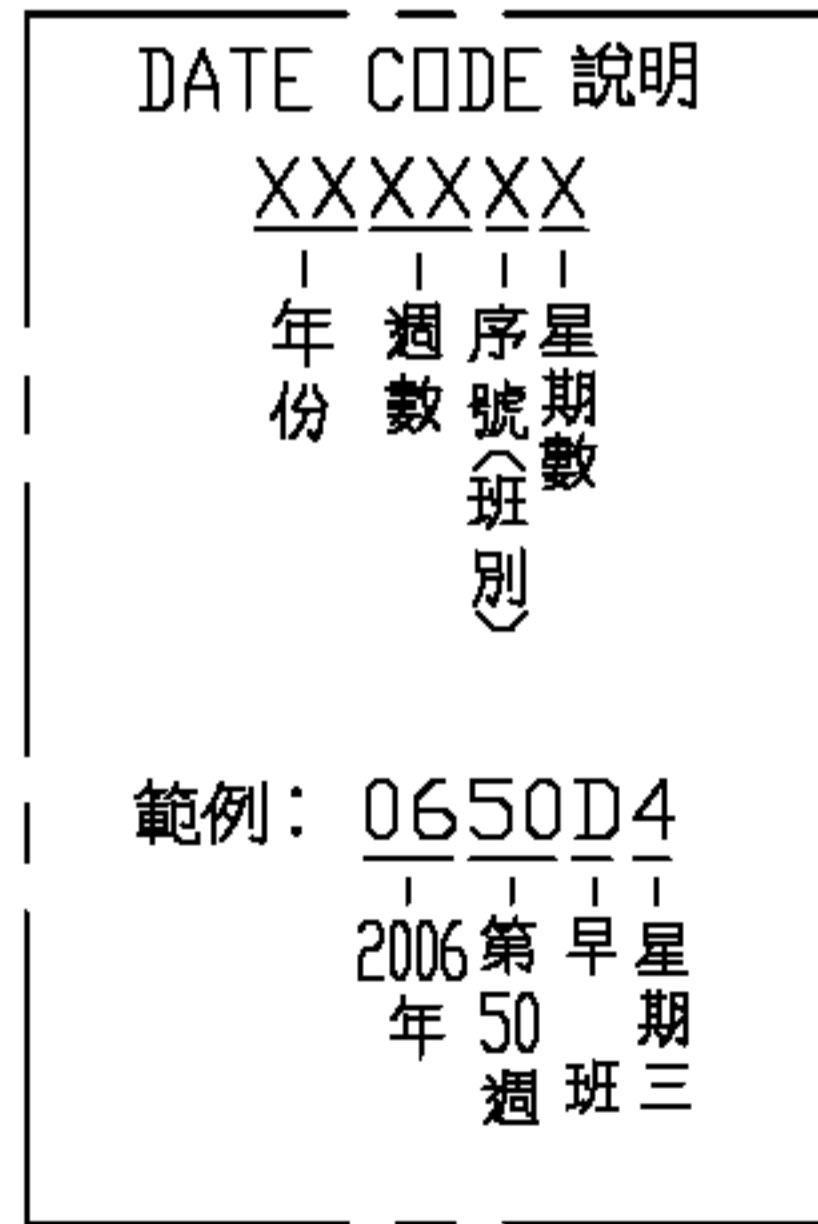
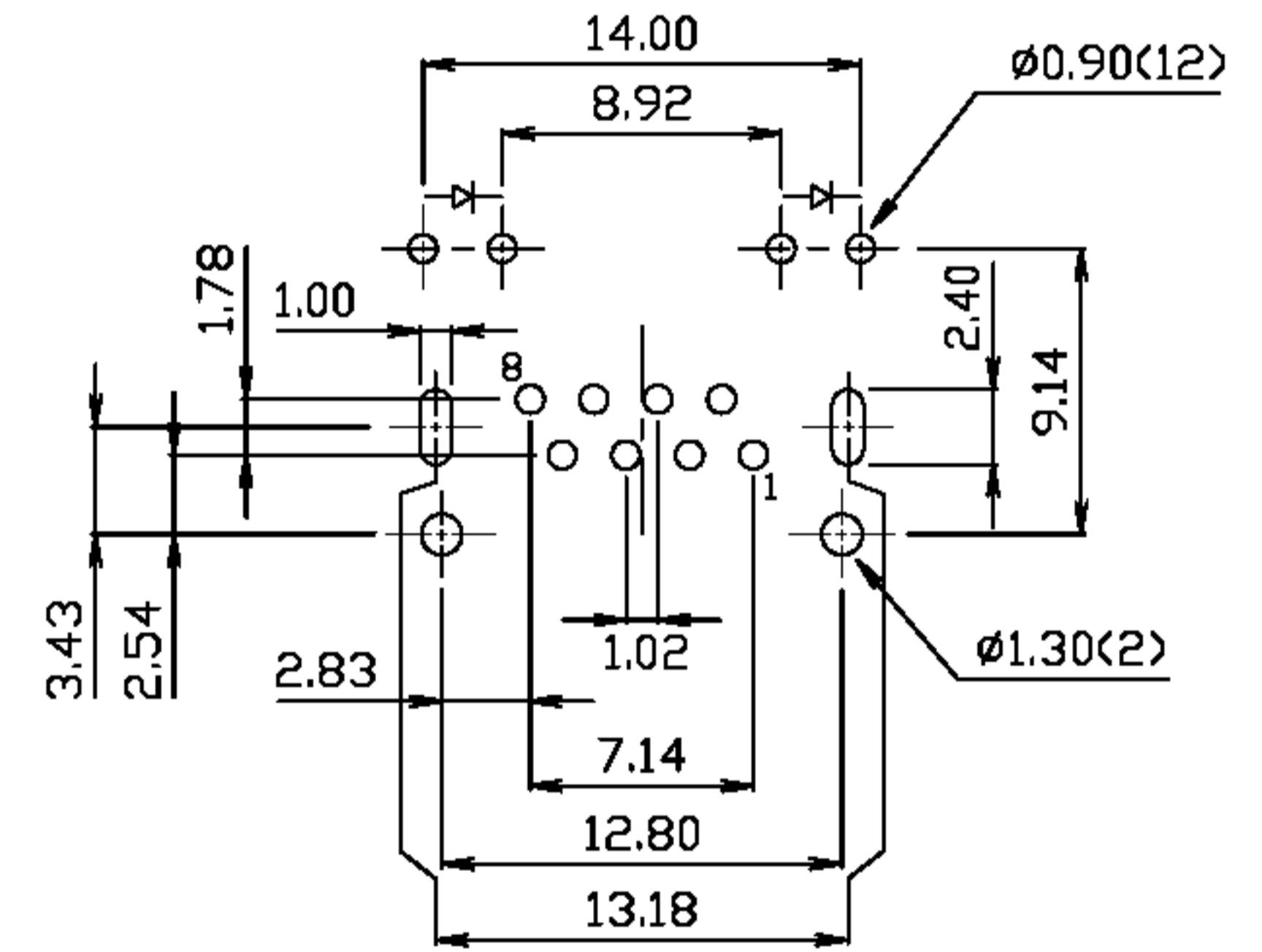
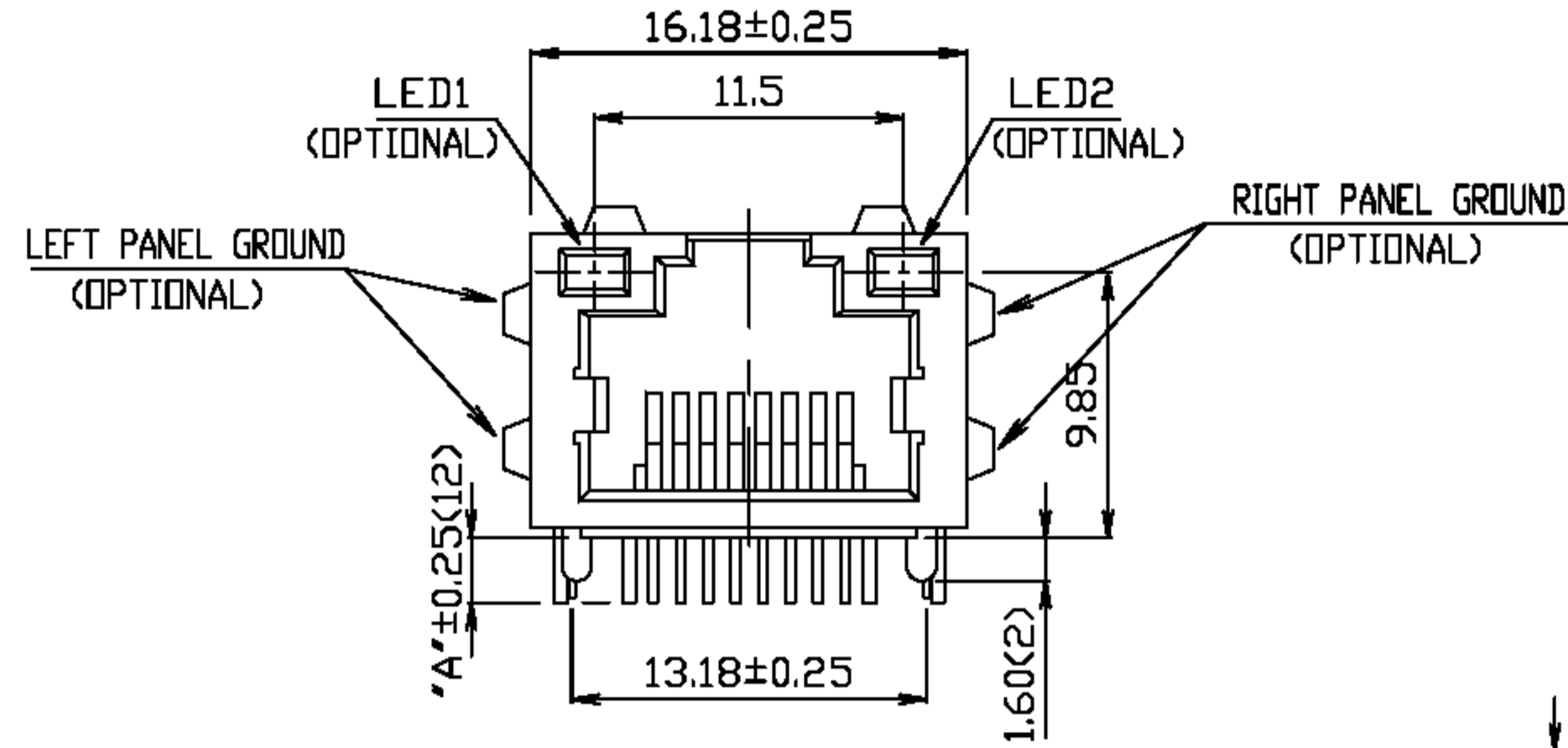
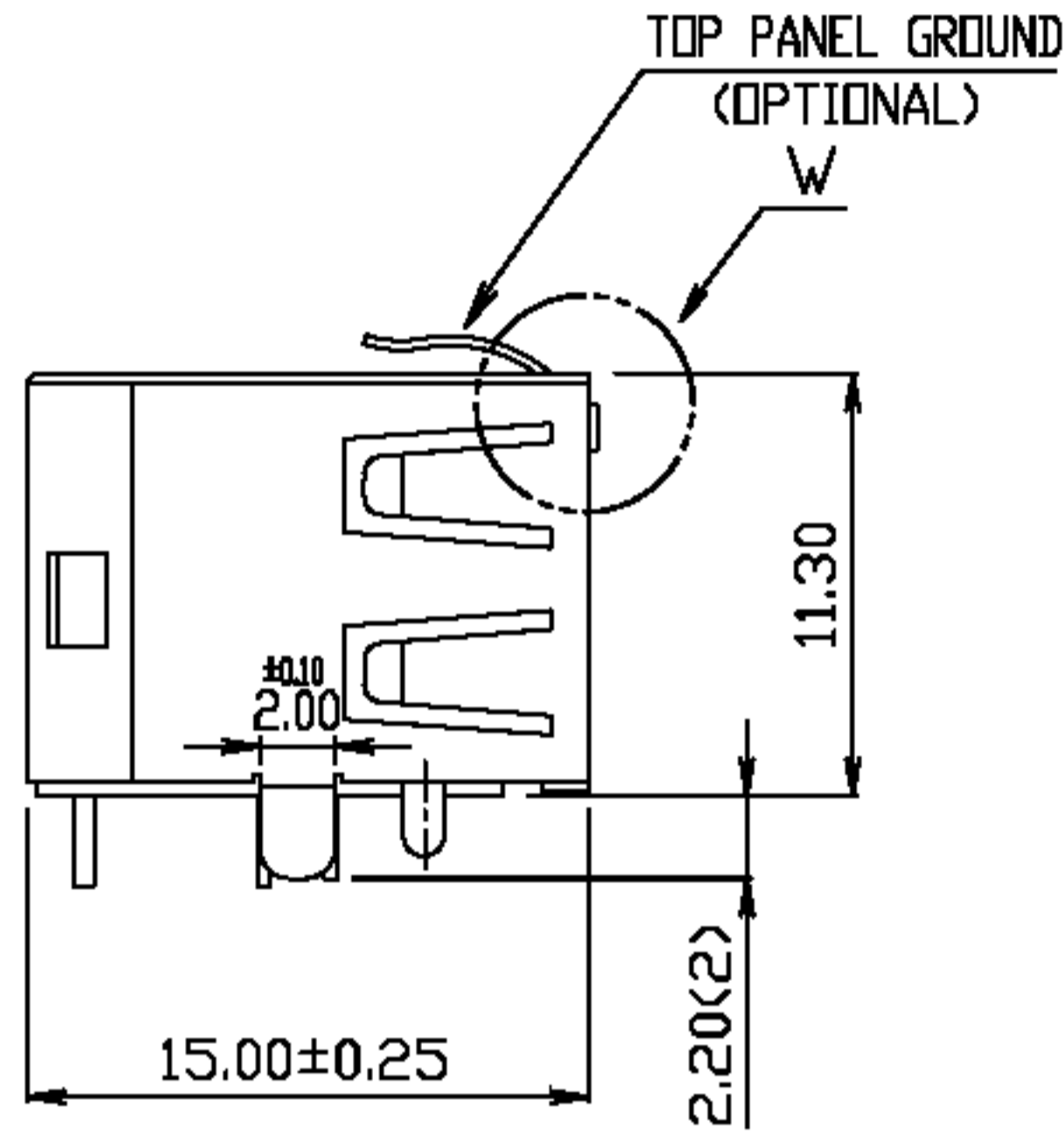
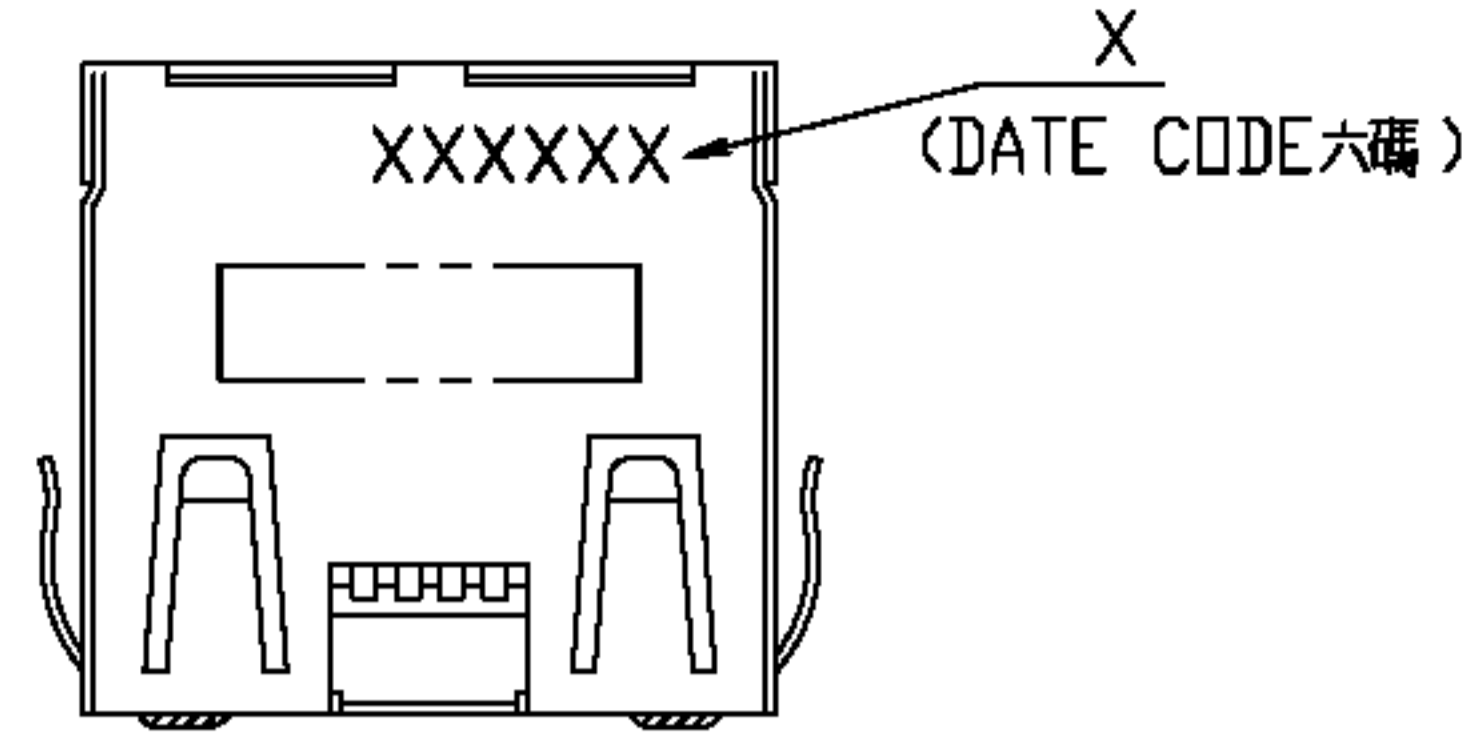


REVISIONS			
LTR	DESCRIPTION	DATE	APP
△	14.00	11/13/01	CHANG
△	9.14	11/13/01	CHANG
△	3.43	11/13/01	CHANG



DETAIL X

PCB LAYOUT Ref.

DO NOT SCALE DRAWING	TOLERANCES UNLESS OTHERWISE NOTED	INCH	MM	DR. <i>M.L.HUANG</i>	DATE NOV-13 '06	淮洋有限公司 HUI YANG CO., LTD. TEL : 886-2-8261-8986 FAX : 886-2-8261-1885 www.hy1688.com.tw 236新北市土城區中央路二段191號10樓之5	
 THIRD ANGLE PROJECTION	LINEAR $\frac{\text{MM}}{\text{INCH}}$	$00 \pm .01$ $000 \pm .005$ $0000 \pm .002$	0.0 ± 0.25 0.00 ± 0.13 0.000 ± 0.05	CK'D <i>M.CHANG</i>	NOV-13 '06	TITLE RJ45 RECEPTACLE CONNECTOR	
MM INCH	ANGLE $\pm 0^\circ 30'$	RADII	+ 0.40 - 0.15	APP'D <i>W.J.YANG</i>	NOV-14 '06	SCALE SIZE DWG.NO. 962107	REV. SHEET 5 1