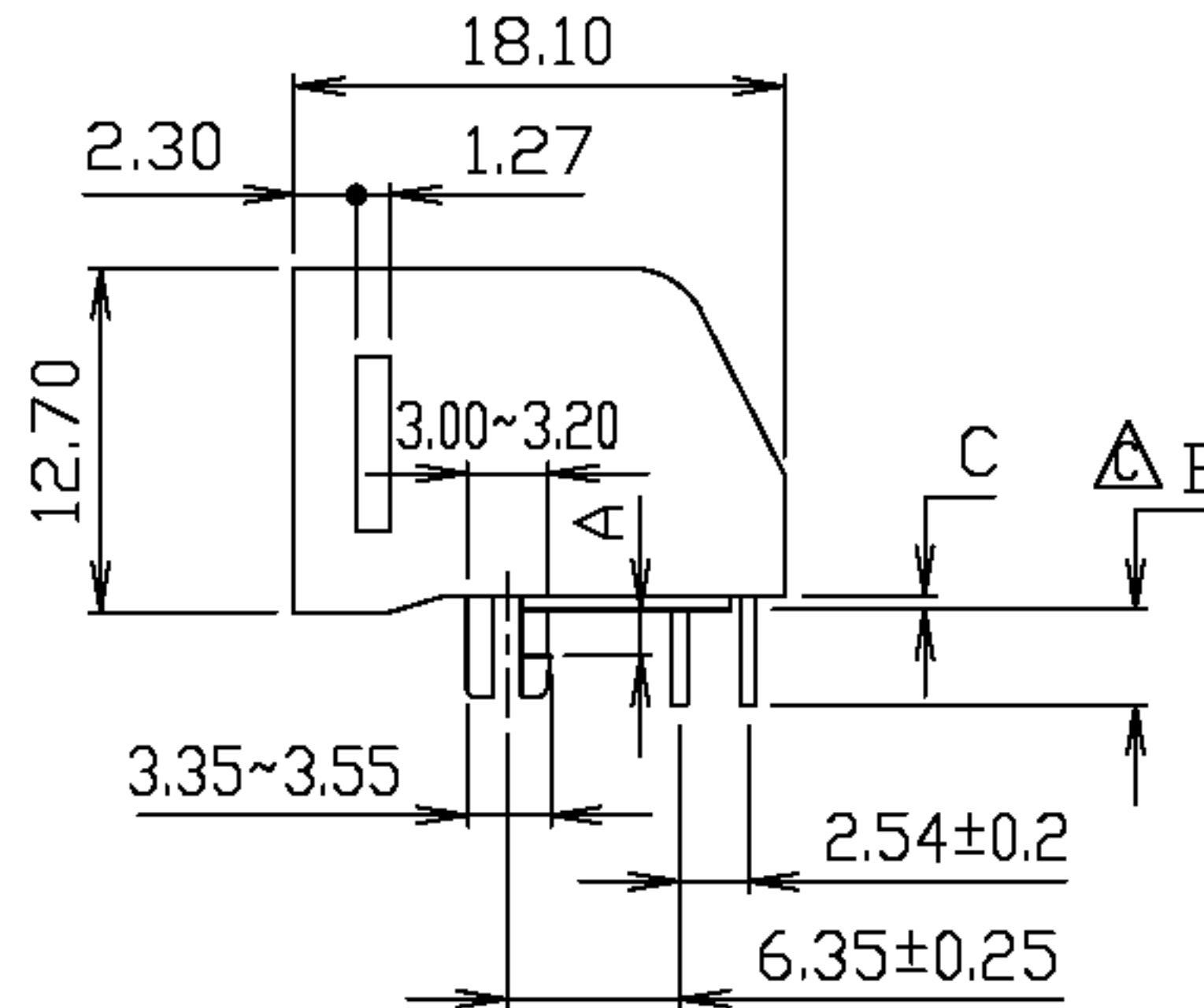
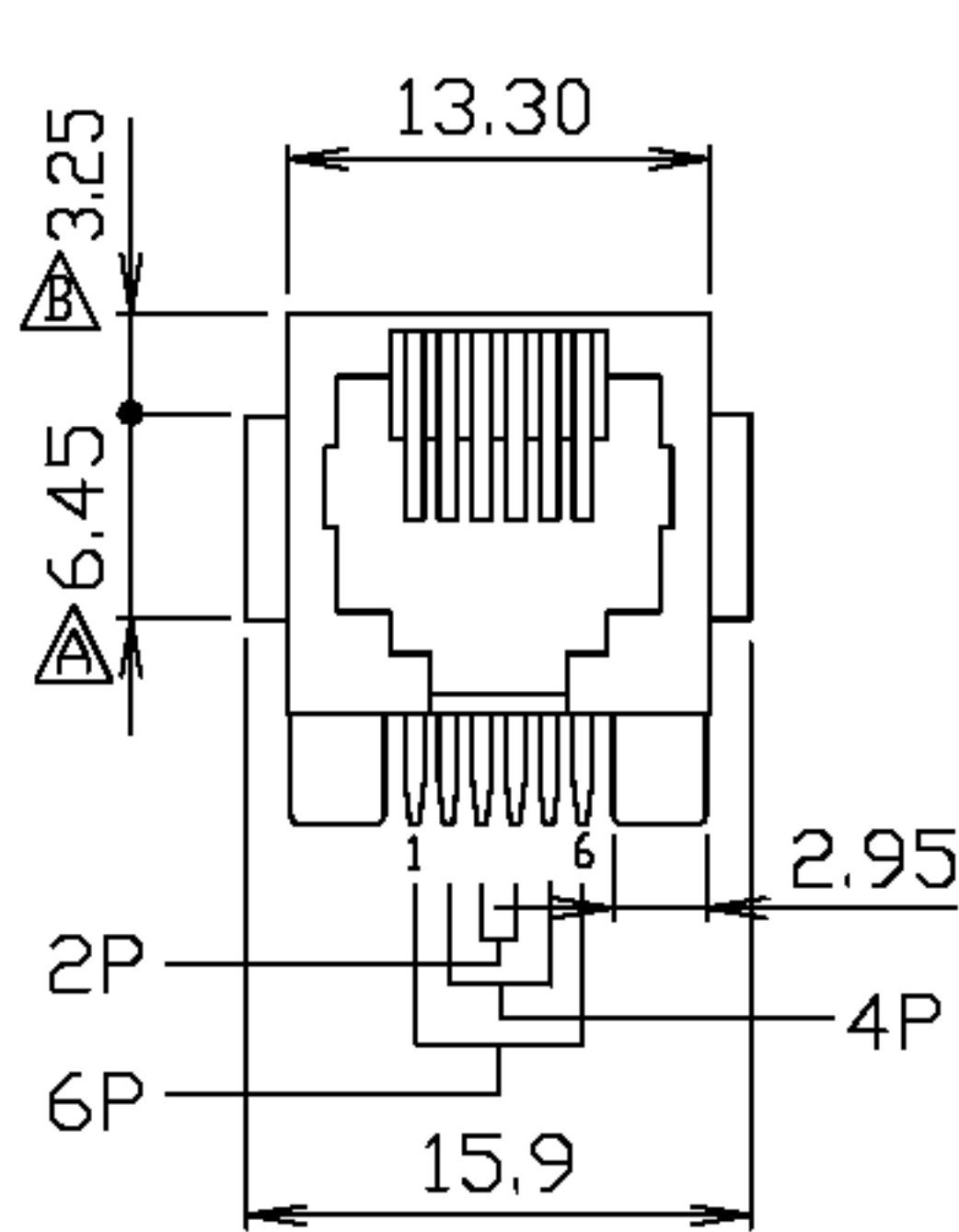
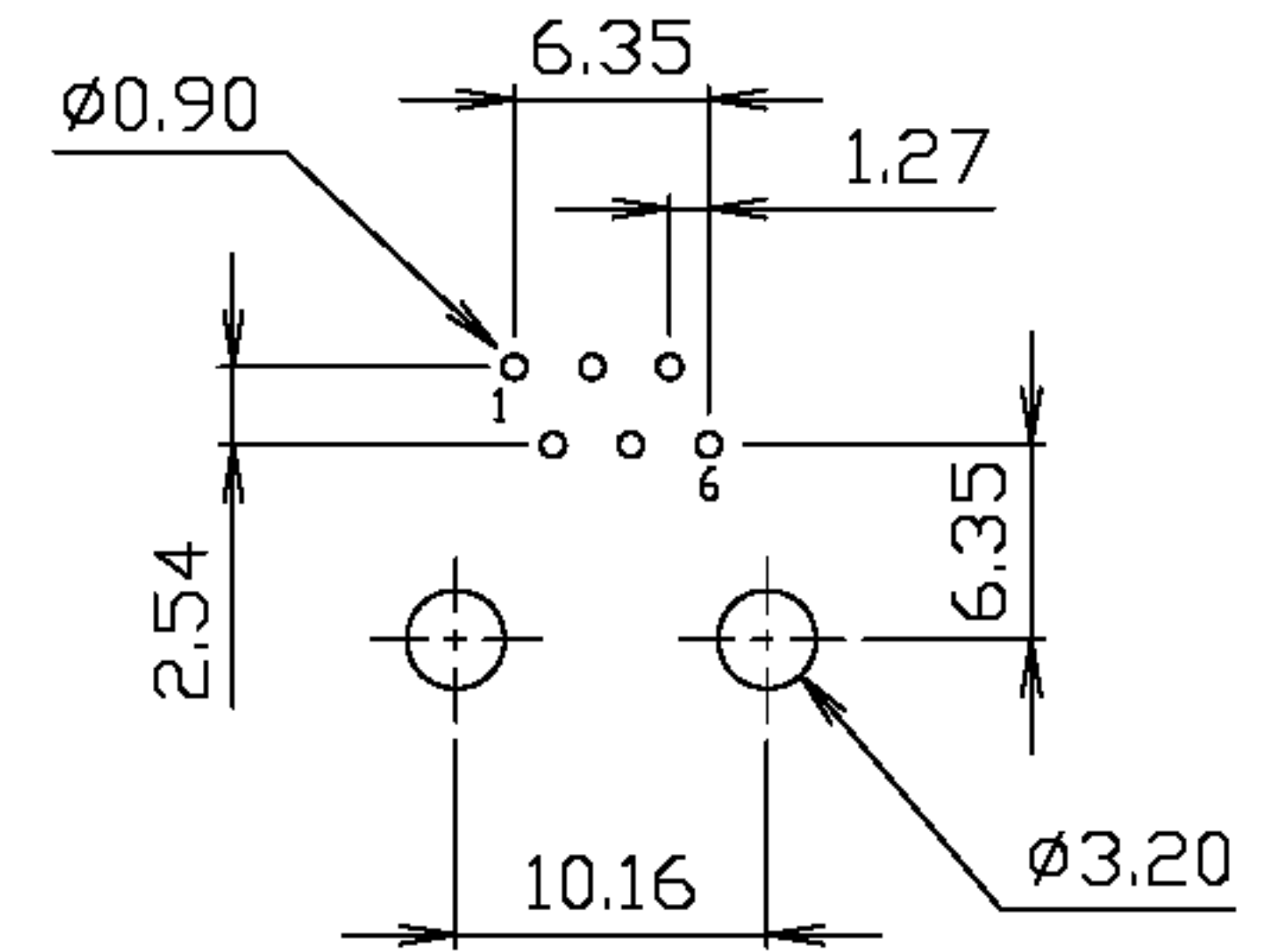
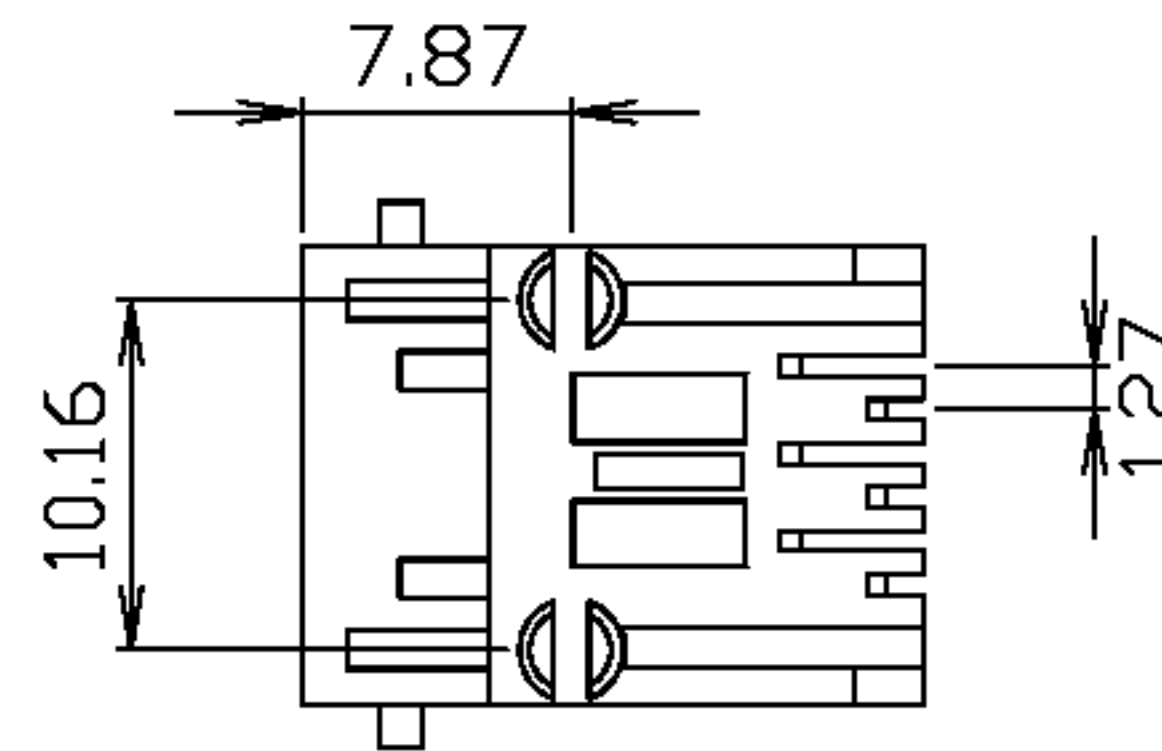
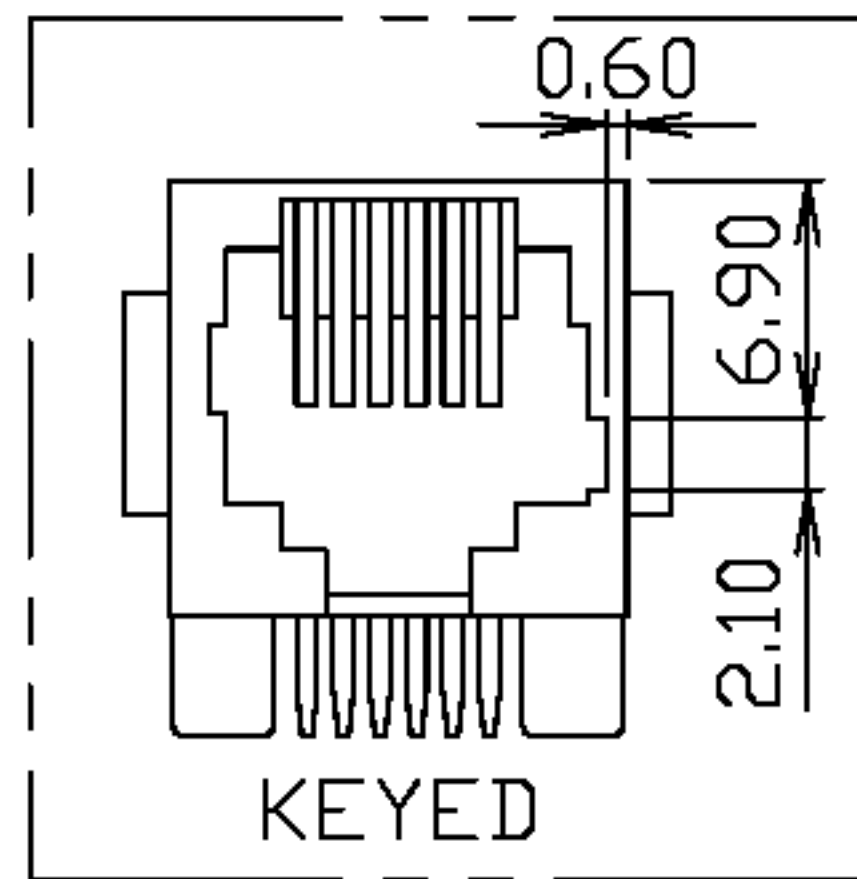


RoHS Compliance



REVISIONS			
LTR	DESCRIPTION	DATE	APP
△	6.90	07/02/'01	CHANG
△	3.00	07/02/'01	CHANG
△	4.0±0.5	01/22/'02	CHANG
△	3.10	03/29/'02	CHANG



PC Board Layout Ref.

淮洋有限公司 HUI YANG CO., LTD.
 TEL: 886-2-8261-8986 FAX: 886-2-8261-1885
 www.hy1688.com.tw 236新北市土城區中央路二段191號10樓之5

DO NOT SCALE DRAWING	TOLERANCES UNLESS OTHERWISE NOTED	INCH	MM	DR. <i>CIAN.CI.LUO</i>	DATE FEB-25 '08	TITLE RJ11, FLANGED, LOW PROFILE, SIDE ENTRY PCB JACK				
THIRD ANGLE PROJECTION	LINEAR	MM INCH	00 ± .01 000 ± .005 0000 ± .002	CK'D <i>M.CHANG</i>	FEB-25 '08					
MM INCH	ANGLE ± 0° 30'	RADII	+ 0.40 - 0.15	APP'D <i>W.J.YANG</i>	FEB-26 '08	SCALE	SIZE	DWG.NO. 961901	REV. 8	SHEET 1