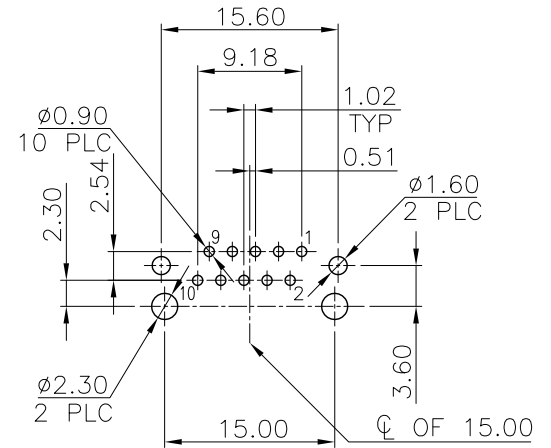
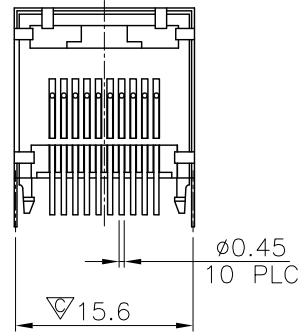
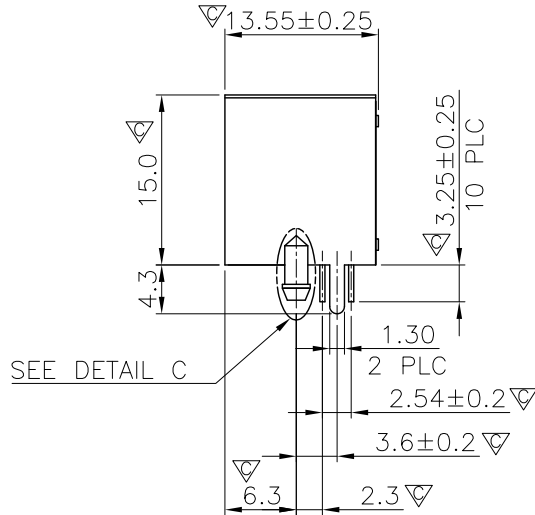
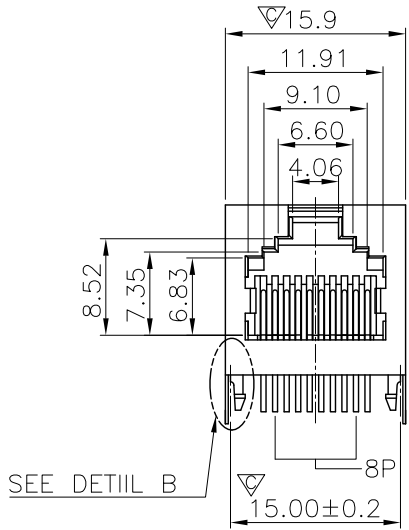
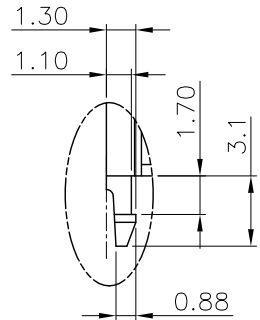


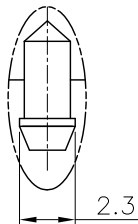
# RoHS Compliance



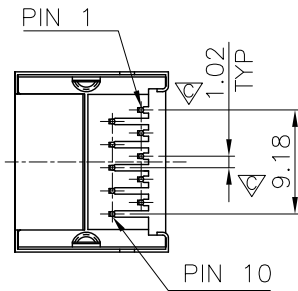
**RECOMMENDED PCB LAYOUT**  
**RECOMMENDED PCB THICKNESS: 1.6mm**  
**TOLERANCE: ±0.05 (TOP VIEW)**



**DETAIL B**  
(SCALE 2:1)



**DETAIL C**  
(SCALE 2:1)



LTR	DESCRIPTION	DATE	APVD
REVISIONS			

THIS DRAWING IS A CONTROLLED DOCUMENT. DO NOT SCALE DRAWING.	
DIMENSIONS: MM	TOLERANCES UNLESS OTHERWISE SPECIFIED:
 THIRD ANGLE PROJECTION	0 PLC ± -
	1 PLC ± 0.25
	2 PLC ± 0.13
	3 PLC ± 0.05
ANGLES ± -	
MATERIAL SEE NOTES	FINISH SEE NOTES
DWN <b>A.HUANG</b>	DATE AUG-10-2010
CHK <b>M.CHANG</b>	DATE AUG-10-2010
APVD <b>W.J.YANG</b>	DATE AUG-11-2010

**淮洋有限公司 HUI YANG CO.,LTD.**

TEL : 886-2-8261-8986 FAX : 886-2-8261-1885

www.hy1688.com.tw 236新北市土城區中央路二段191號10樓之5

**TITLE**  
 10POSITION, MINI LOW PROFILE,  
 WITH SHELL, SIDE ENTRY PCB JACK

SIZE <b>A3</b>	CAUGE CODE -	DRAWING NO <b>961213</b>
WEIGHT -	GRAMS Ref.	REV <b>5</b> SHEET <b>1</b>