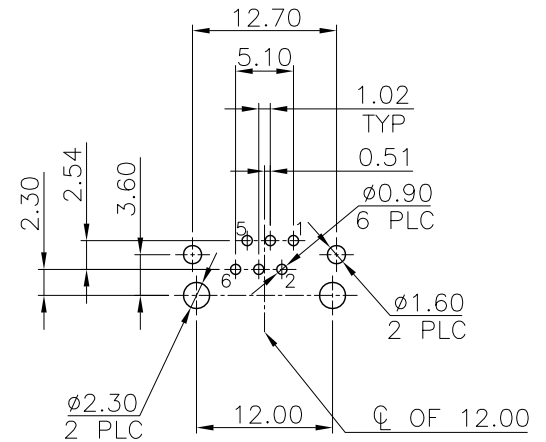
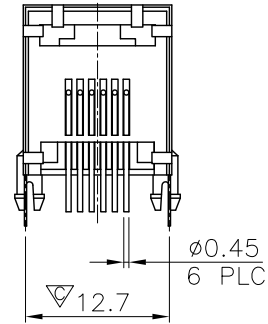
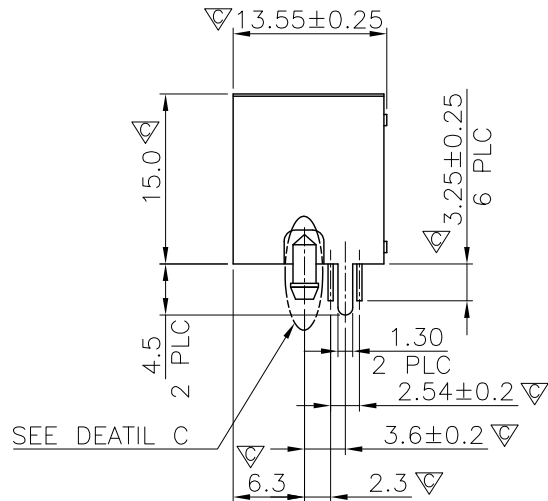
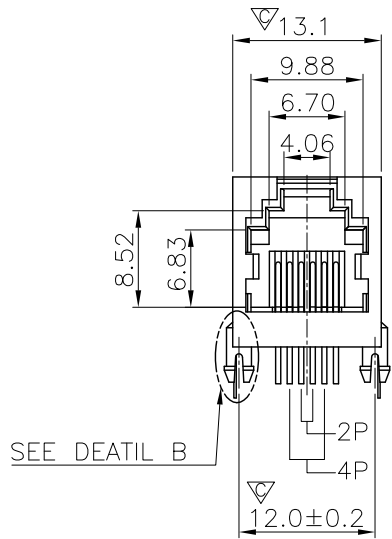
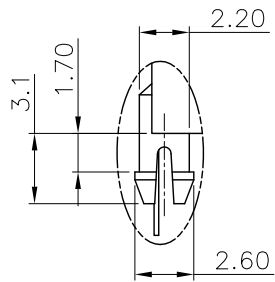


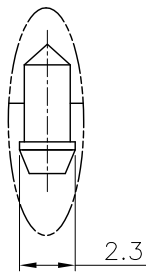
RoHS Compliance



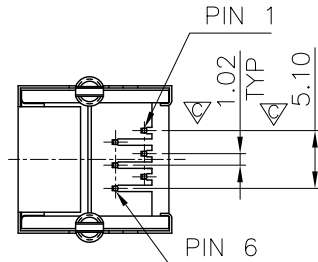
RECOMMENDED PCB LAYOUT
RECOMMENDED PCB THICKNESS: 1.6mm
TOLERANCE: ±0.05 (TOP VIEW)



DETAIL B
(SCALE 2:1)



DETAIL C
(SCALE 2:1)



LTR	DESCRIPTION	DATE	APVD
REVISIONS			

THIS DRAWING IS A CONTROLLED DOCUMENT. DO NOT SCALE DRAWING.	
DIMENSIONS: MM	TOLERANCES UNLESS OTHERWISE SPECIFIED:
	0 PLC ± - 1 PLC ± 0.25 2 PLC ± 0.13 3 PLC ± 0.05 ANGLES ± -
THIRD ANGLE PROJECTION	
MATERIAL SEE NOTES	FINISH SEE NOTES
DWN <i>A.HUANG</i>	DATE AUG-10-2010
CHK <i>M.CHANG</i>	AUG-10-2010
APVD <i>W.J.YANG</i>	AUG-11-2010

淮洋有限公司 HUI YANG CO.,LTD. TEL : 886-2-8261-8986 FAX : 886-2-8261-1885 www.hy1688.com.tw 236新北市土城區中央路二段191號10樓之5		
TITLE 6POSITION, MINI LOW PROFILE, WITH SHELL, SIDE ENTRY PCB JACK		
SIZE A3	CAUGE CODE -	DRAWING NO 961208
WEIGHT -	GRAMS Ref.	REV 5 SHEET 1