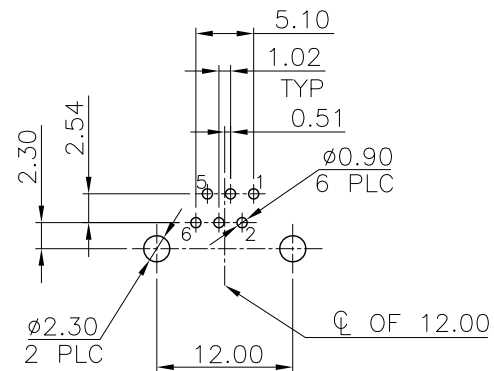
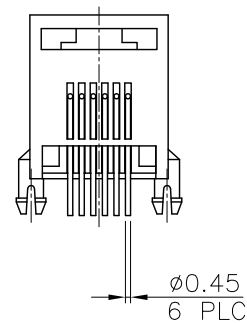
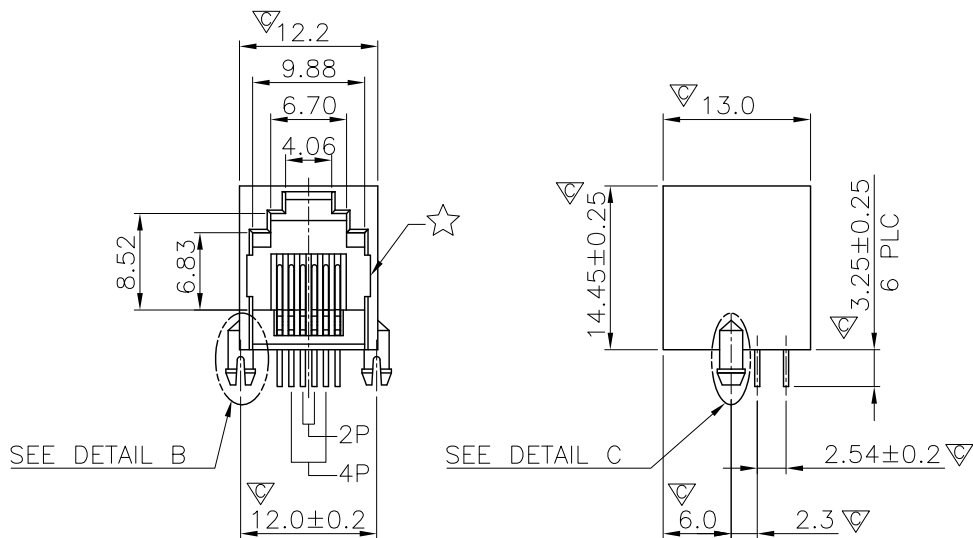
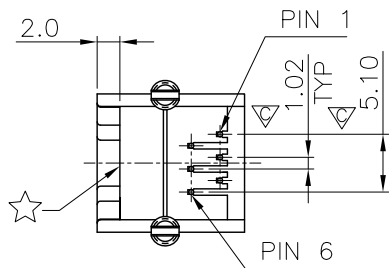
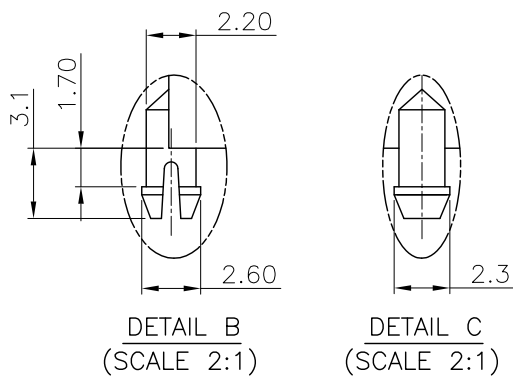


RoHS Compliance



RECOMMENDED PCB LAYOUT
RECOMMENDED PCB THICKNESS: 1.6mm
TOLERANCE: ±0.05 (TOP VIEW)



LTR	DESCRIPTION	DATE	APVD
REVISIONS			

THIS DRAWING IS A CONTROLLED DOCUMENT. DO NOT SCALE DRAWING.		淮洋有限公司 HUI YANG CO.,LTD.	
DIMENSIONS: MM		TEL : 886-2-8261-8986 FAX : 886-2-8261-1885	
TOLERANCES UNLESS OTHERWISE SPECIFIED:		www.hy1688.com.tw 236新北市土城區中央路二段191號10樓之5	
THIRD ANGLE PROJECTION		TITLE	
MATERIAL SEE NOTES		6POSITION, MINI LOW PROFILE, SIDE ENTRY PCB JACK	
FINISH SEE NOTES		SIZE CAUSE CODE DRAWING NO	
DWN A.HUANG	DATE AUG-10-2010	A3	961207
CHK M.CHANG	DATE AUG-10-2010	WEIGHT - GRAMS Ref.	REV 5 SHEET 1
APVD W.J.YANG	DATE AUG-11-2010		