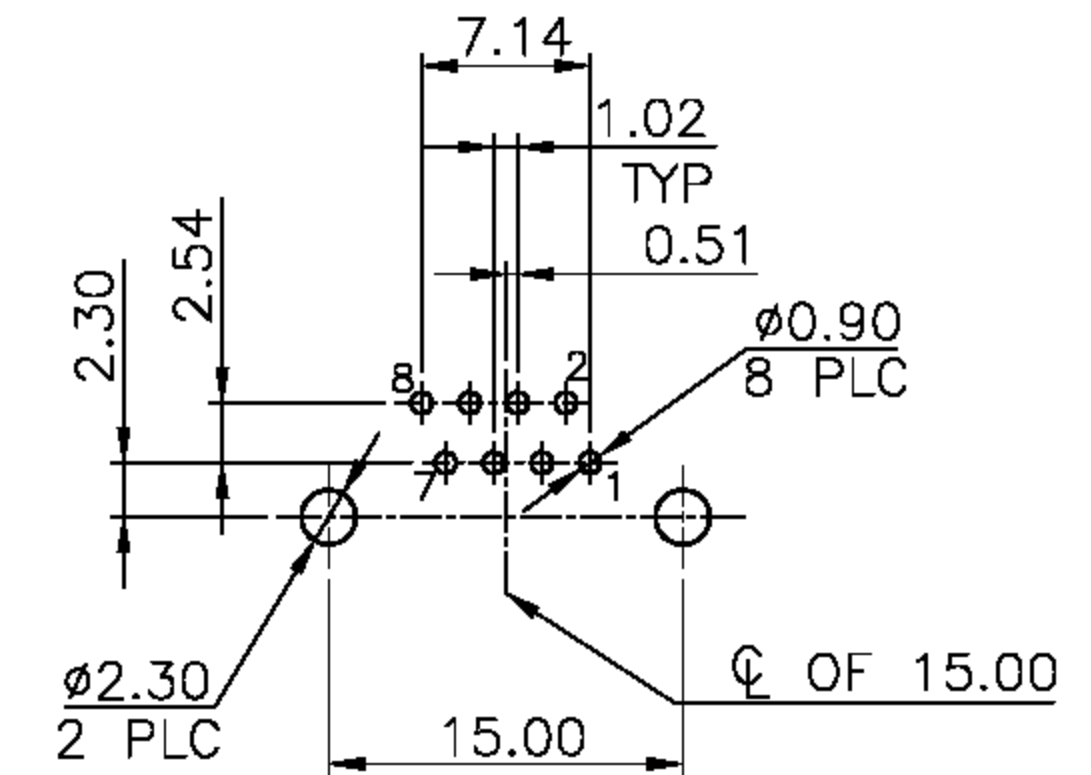
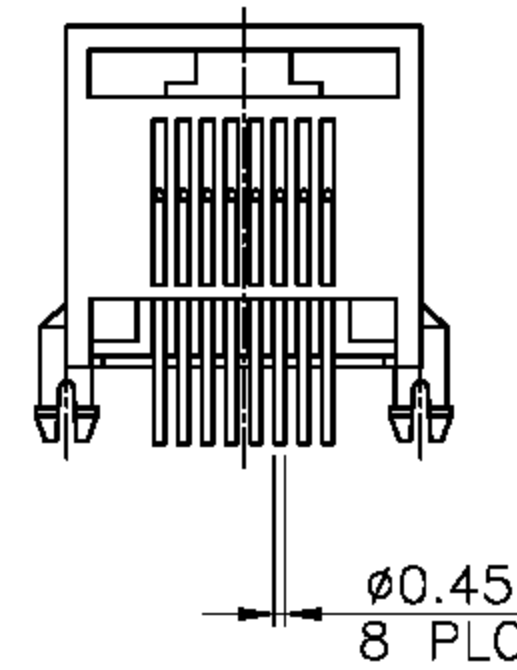
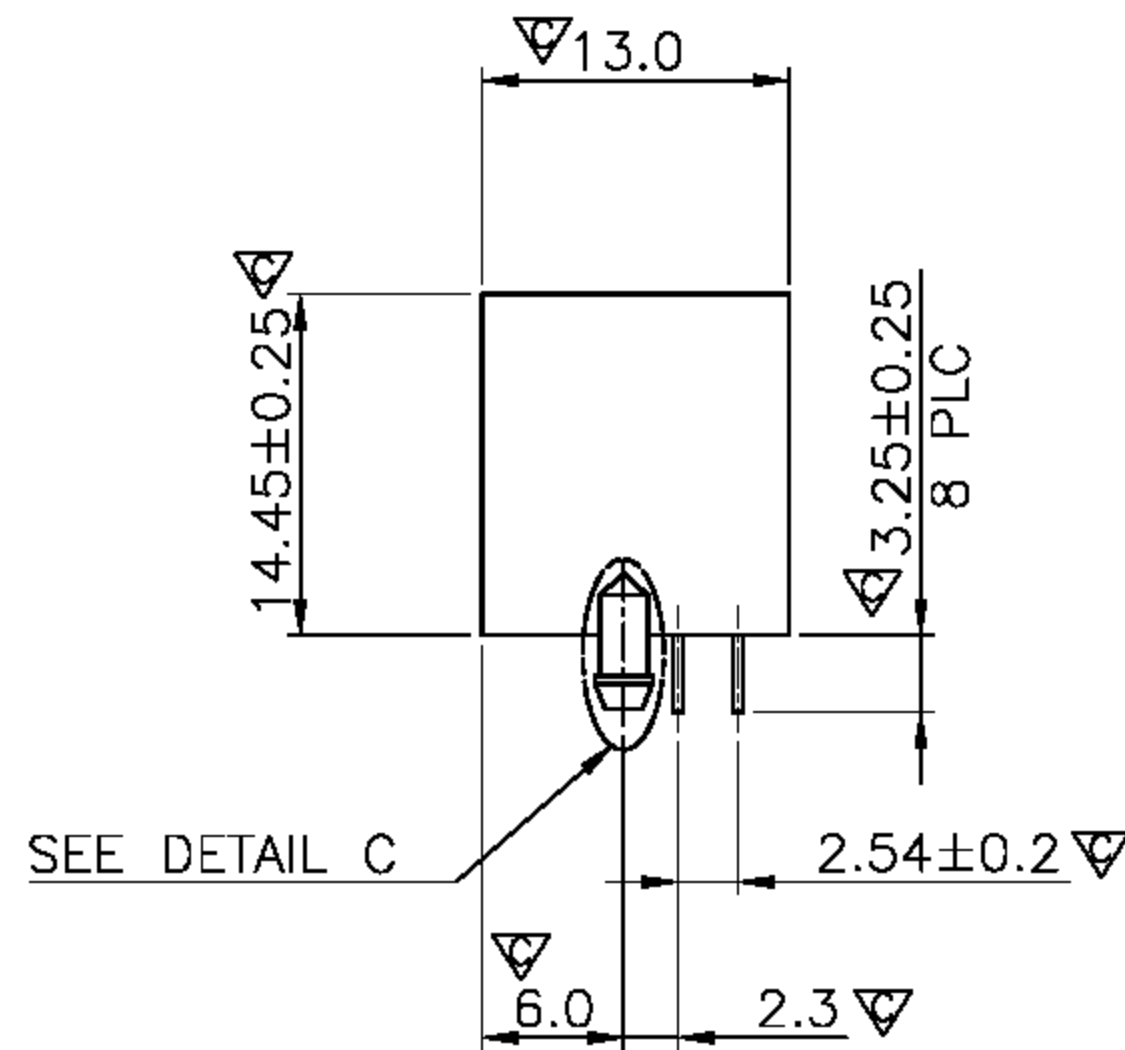
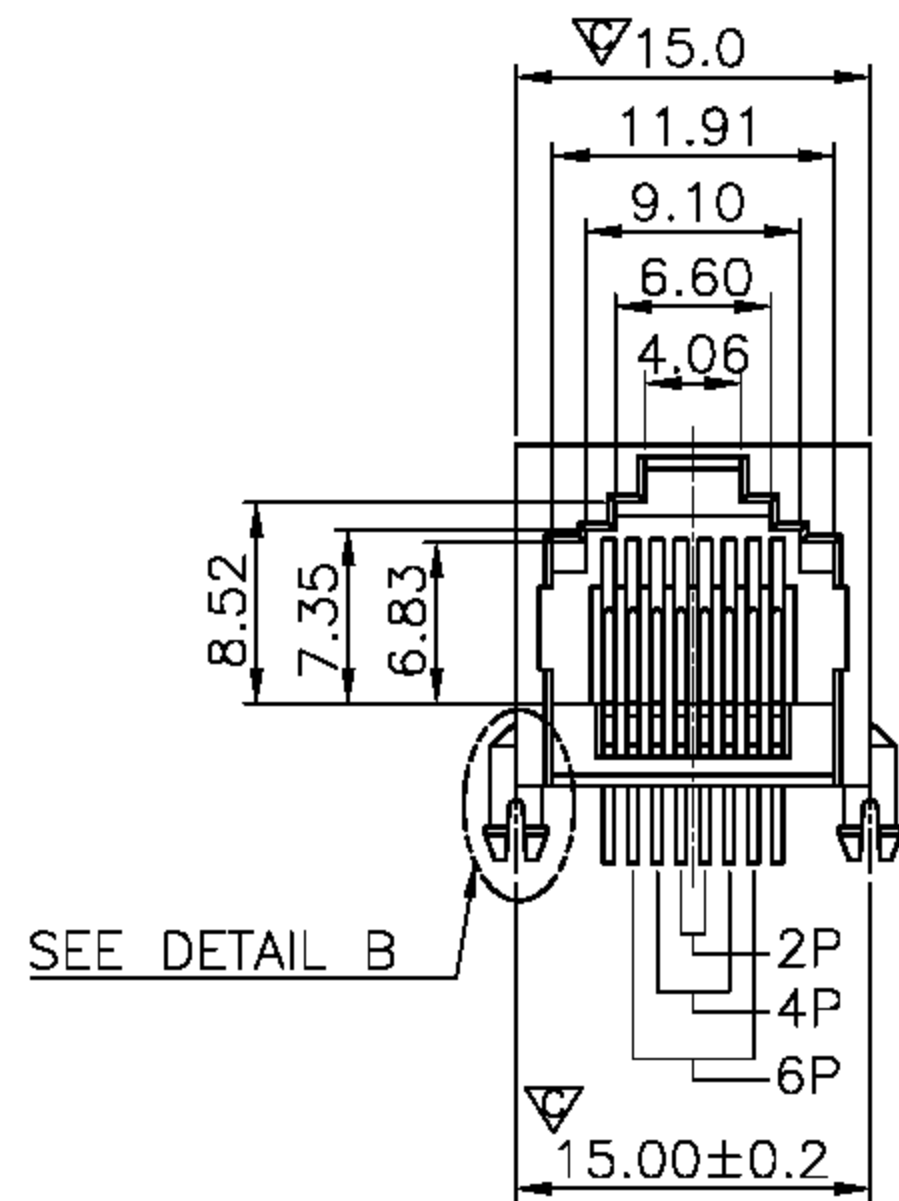


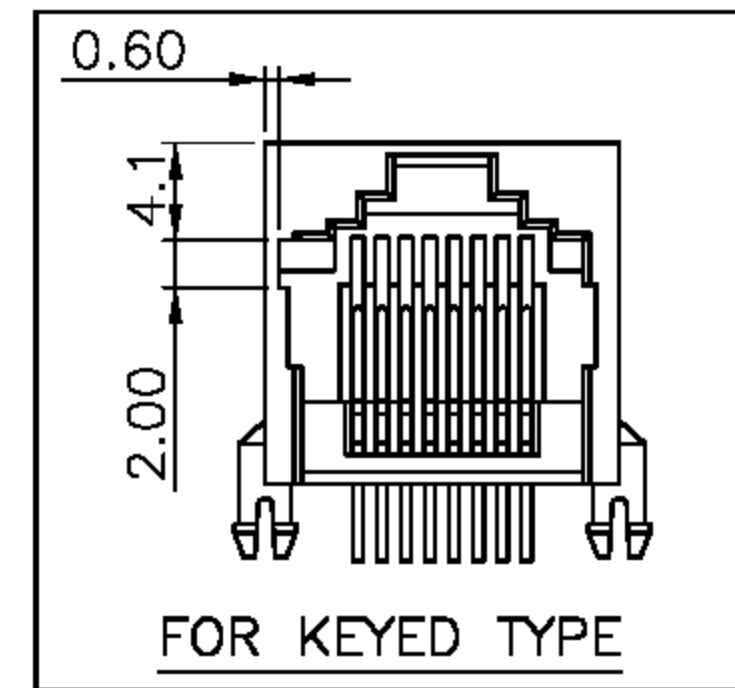
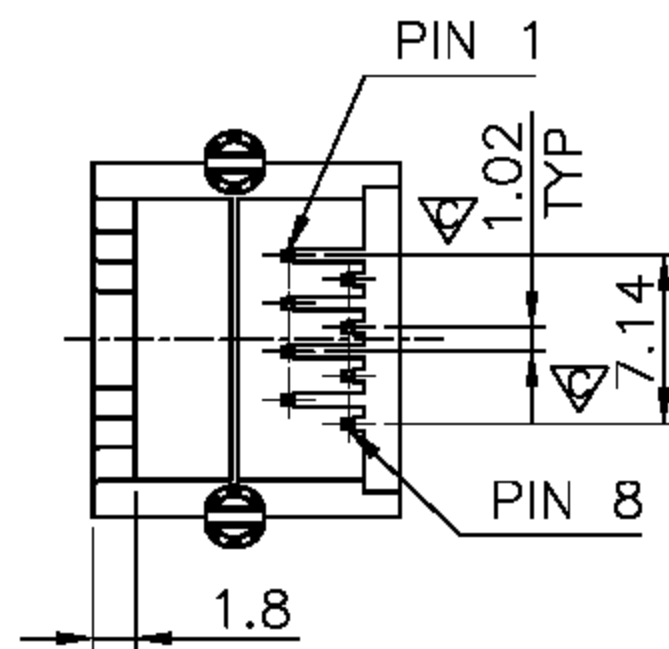
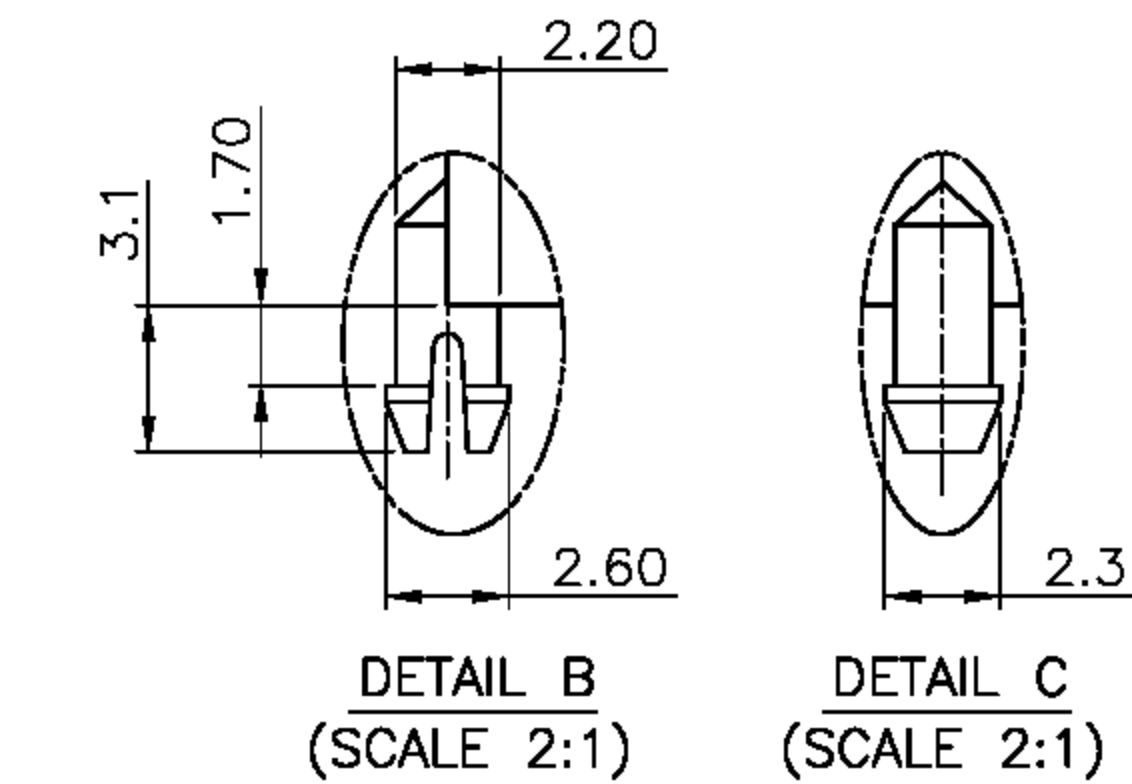
RoHS Compliance

NOTE:

CAVITY CONFIRMS TO FCC RULES AND REGULATIONS PART 68, SUBPART F.



RECOMMENDED PCB LAYOUT
RECOMMENDED PCB THICKNESS: 1.6mm
TOLERANCE: ±0.05 (TOP VIEW)



THIS DRAWING IS A CONTROLLED DOCUMENT.
DO NOT SCALE DRAWING.

DIMENSIONS: MM

TOLERANCES UNLESS OTHERWISE SPECIFIED:
 0 PLC ± -
 1 PLC ± 0.25
 2 PLC ± 0.13
 3 PLC ± 0.05
 ANGLES ± -

THIRD ANGLE PROJECTION

MATERIAL: SEE NOTES

DWN: A.HUANG

CHK: M.CHANG

APVD: W.J.YANG

淮洋有限公司 HUI YANG CO., LTD.

TEL : 886-2-8261-8986 FAX : 886-2-8261-1885

www.hy1688.com.tw 236新北市土城區中央路二段191號10樓之5

TITLE: RJ45, MINI LOW PROFILE, SIDE ENTRY PCB JACK

SIZE: A3 CAUGE CODE: - DRAWING NO: 961203

WEIGHT: - GRAMS Ref. REV 3 SHEET 1

LTR	DESCRIPTION	DATE	APVD
REVISIONS			