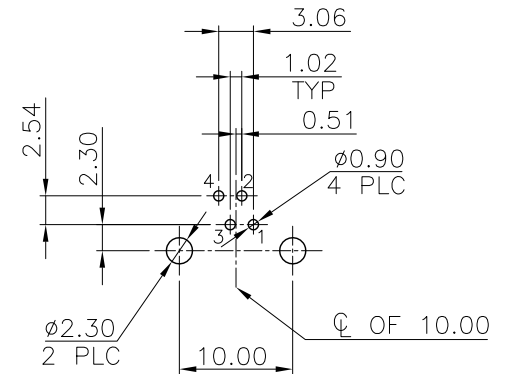
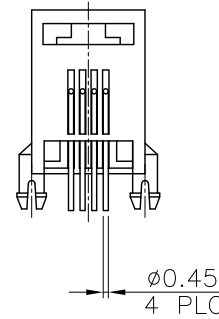
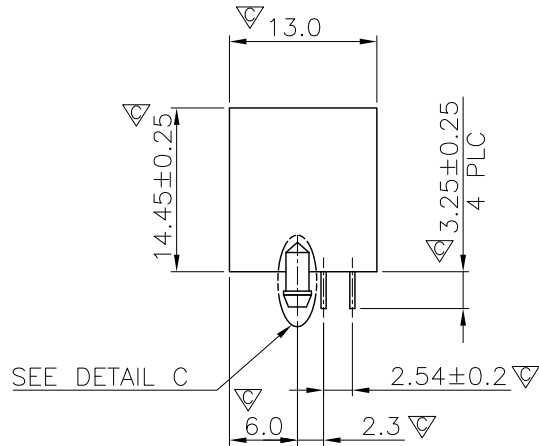
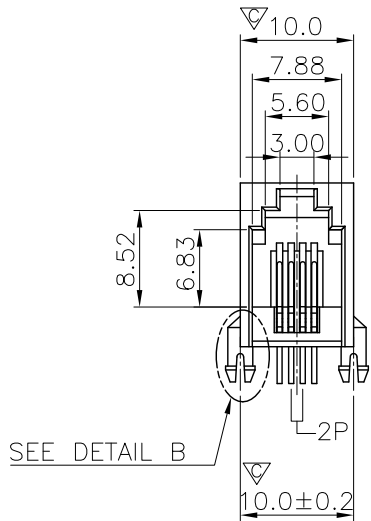
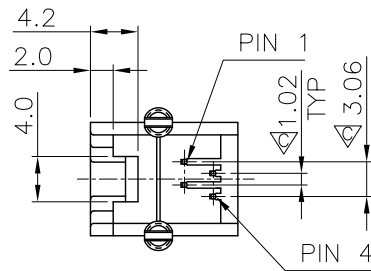
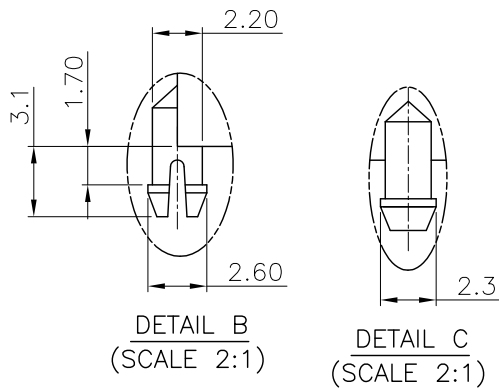


RoHS Compliance



RECOMMENDED PCB LAYOUT
 RECOMMENDED PCB THICKNESS: 1.6mm
 TOLERANCE: ±0.05 (TOP VIEW)



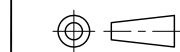
THIS DRAWING IS A CONTROLLED DOCUMENT.
 DO NOT SCALE DRAWING.

淮洋有限公司 HUI YANG CO.,LTD.

DIMENSIONS:
 MM

TOLERANCES UNLESS
 OTHERWISE SPECIFIED:

TEL : 886-2-8261-8986 FAX : 886-2-8261-1885
 www.hy1688.com.tw 236新北市土城區中央路二段191號10樓之5



0 PLC ± -
 1 PLC ± 0.25
 2 PLC ± 0.13
 3 PLC ± 0.05
 ANGLES ± -

TITLE
 4POSITION, MINI LOW PROFILE,
 SIDE ENTRY PCB JACK

LTR	DESCRIPTION	DATE	APVD
REVISIONS			

THIRD ANGLE PROJECTION	FINISH
MATERIAL SEE NOTES	SEE NOTES
DWN A.HUANG	DATE AUG-10-2010
CHK M.CHANG	DATE AUG-10-2010
APVD W.J.YANG	DATE AUG-11-2010

SIZE A3	CAUGE CODE -	DRAWING NO 961201
WEIGHT - GRAMS Ref.	REV 6	SHEET 1