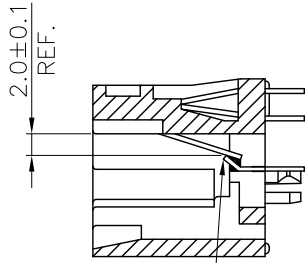
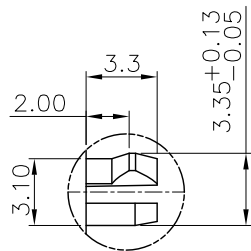
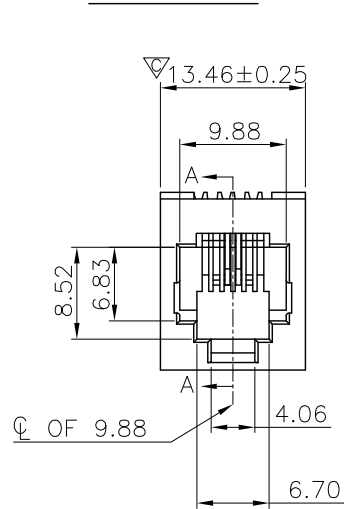
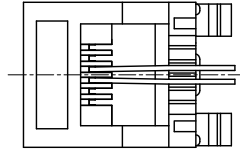


RoHS Compliance

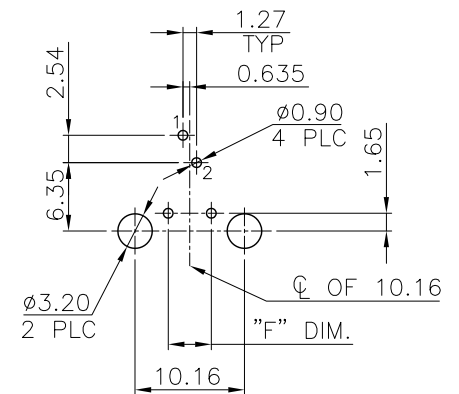
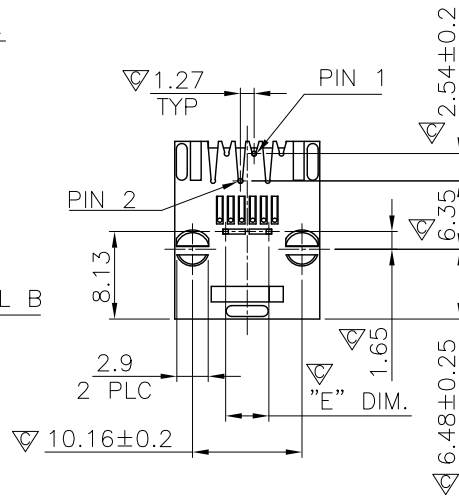
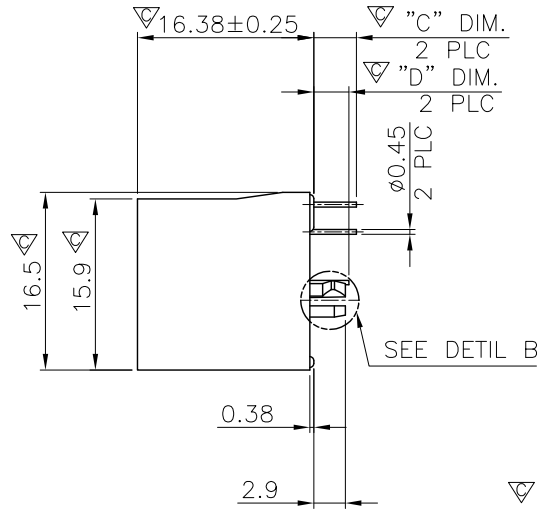


RJ45 CONTACT AND BRIDGE CONTACT MUST BE CONTACT

SECTION A-A



DETAIL B (SCALE 2:1)



RECOMMENDED PCB LAYOUT
RECOMMENDED PCB THICKNESS: 1.6mm
TOLERANCE: ±0.05 (TOP VIEW)

THIS DRAWING IS A CONTROLLED DOCUMENT.
DO NOT SCALE DRAWING.

DIMENSIONS: MM
TOLERANCES UNLESS OTHERWISE SPECIFIED:

0 PLC	± -
1 PLC	± 0.25
2 PLC	± 0.13
3 PLC	± 0.05
ANGLES	± -

THIRD ANGLE PROJECTION

MATERIAL SEE NOTES
FINISH SEE NOTES

DWN *A.HUANG*
DATE AUG-10-2010

CHK *M.CHANG*
DATE AUG-10-2010

APVD *W.J.YANG*
DATE AUG-11-2010

淮洋有限公司 HUI YANG CO.,LTD.

TEL : 886-2-8261-8986 FAX : 886-2-8261-1885

www.hy1688.com.tw 236新北市土城區中央路二段191號10樓之5

TITLE
6 POSITION, 180°, SPLIT PEGS,
SHORTING BUSS, TOP ENTRY PCB JACK

SIZE A3 CAUSE CODE - DRAWING NO 961101

WEIGHT - GRAMS Ref. REV 7 SHEET 1

LTR	DESCRIPTION	DATE	APVD
REVISIONS			