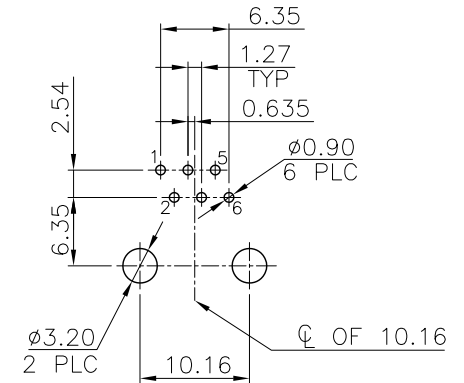
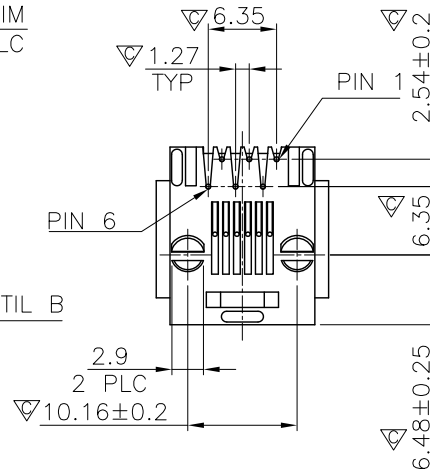
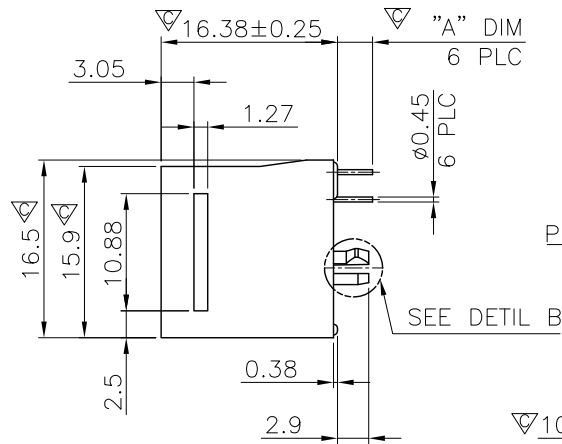
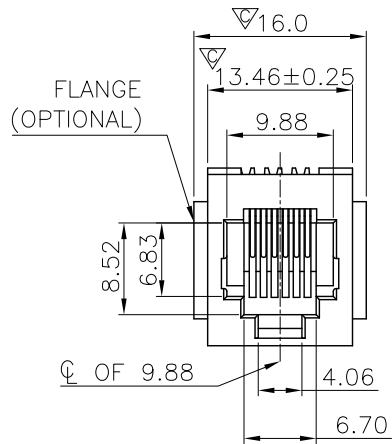
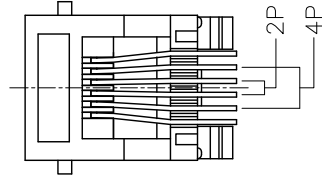
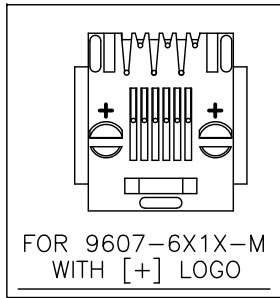
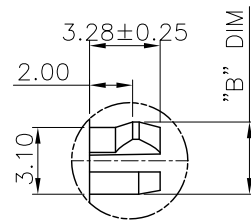
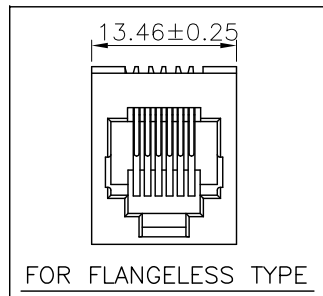


RoHS Compliance



RECOMMENDED PCB LAYOUT
 RECOMMENDED PCB THICKNESS: 1.6mm
 TOLERANCE: ±0.05 (TOP VIEW)



DETAIL B
(SCALE 2:1)

| NO. | REVISIONS | DATE | APVD |
|-----|-------------|------|------|
| | | | |
| | | | |
| LTR | DESCRIPTION | DATE | APVD |

| | |
|---|---|
| THIS DRAWING IS A CONTROLLED DOCUMENT. DO NOT SCALE DRAWING. | |
| DIMENSIONS: MM | TOLERANCES UNLESS OTHERWISE SPECIFIED: |
| THIRD ANGLE PROJECTION | 0 PLC ± - 1 PLC ± 0.25 2 PLC ± 0.13 3 PLC ± 0.05 ANGLES ± - |
| MATERIAL SEE NOTES | FINISH SEE NOTES |
| DWN <i>A.HUANG</i> | DATE AUG-12-2010 |
| CHK <i>M.CHANG</i> | DATE AUG-12-2010 |
| APVD <i>W.J.YANG</i> | DATE AUG-13-2010 |

| | | |
|--|-----------------|----------------------|
| 淮洋有限公司 HUI YANG CO.,LTD. TEL : 886-2-8261-8986 FAX : 886-2-8261-1885 www.hy1688.com.tw 236新北市土城區中央路二段191號10樓之5 | | |
| TITLE 6POSITION, 180°, SPLIT PEGS, TOP ENTRY PCB JACK | | |
| SIZE A3 | CAUGE CODE - | DRAWING NO 960702 |
| WEIGHT - | GRAMS Ref. | REV 4 SHEET 1 |