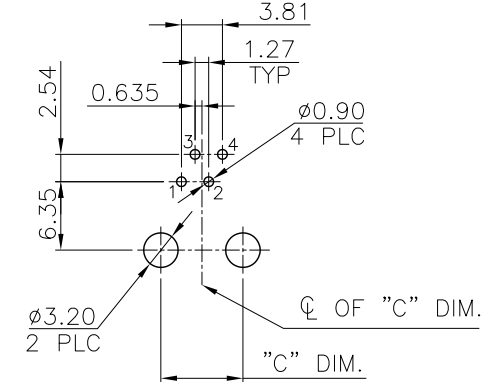
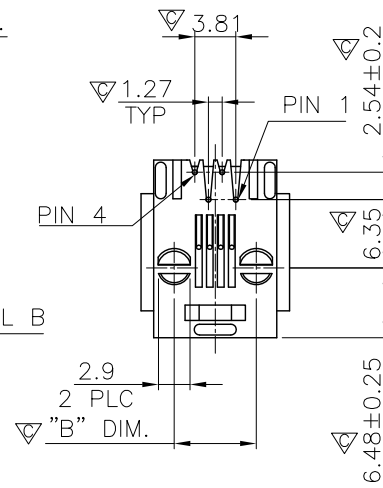
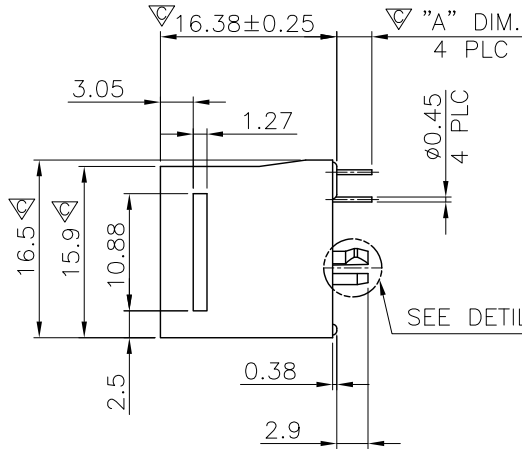
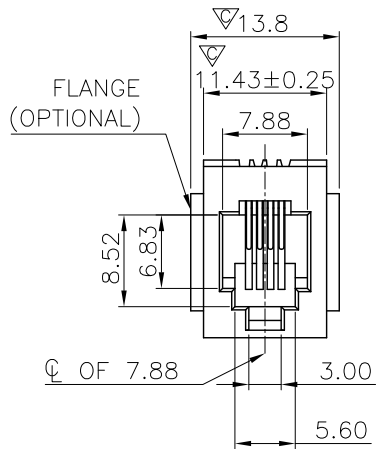
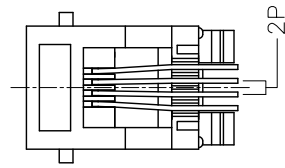
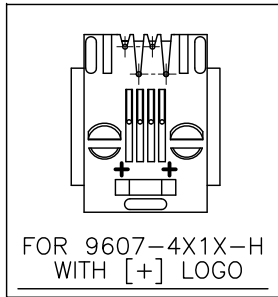
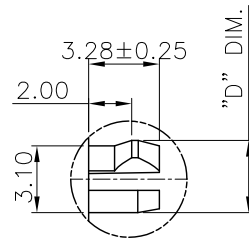
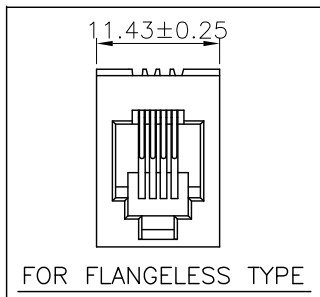


RoHS Compliance



RECOMMENDED PCB LAYOUT
RECOMMENDED PCB THICKNESS: 1.6mm
TOLERANCE: ±0.05 (TOP VIEW)



DETAIL B
(SCALE 2:1)

LTR	DESCRIPTION	DATE	APVD
REVISIONS			

THIS DRAWING IS A CONTROLLED DOCUMENT.
DO NOT SCALE DRAWING.

DIMENSIONS: MM TOLERANCES UNLESS OTHERWISE SPECIFIED:

0 PLC	± -
1 PLC	± 0.25
2 PLC	± 0.13
3 PLC	± 0.05
ANGLES	± -

THIRD ANGLE PROJECTION MATERIAL SEE NOTES FINISH SEE NOTES

DWN	<i>A.HUANG</i>	DATE	AUG-12-2010
CHK	<i>M.CHANG</i>	DATE	AUG-12-2010
APVD	<i>W.J.YANG</i>	DATE	AUG-13-2010

淮洋有限公司 HUI YANG CO.,LTD.

TEL : 886-2-8261-8986 FAX : 886-2-8261-1885
www.hy1688.com.tw 236新北市土城區中央路二段191號10樓之5

TITLE
4POSITION, 180°, SPLIT PEGS,
TOP ENTRY PCB JACK

SIZE	A3	CAUGE CODE	-	DRAWING NO	960701
WEIGHT	-	GRAMS Ref.	-	REV	7
				SHEET	1