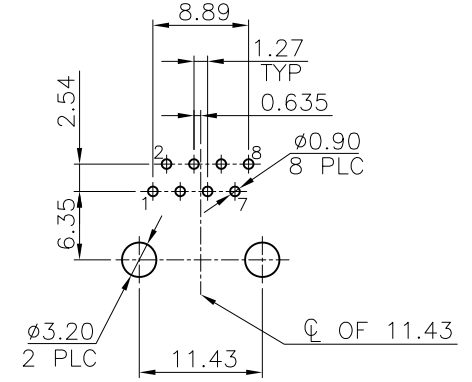
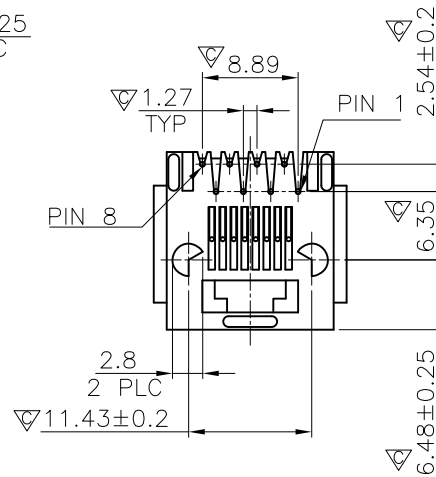
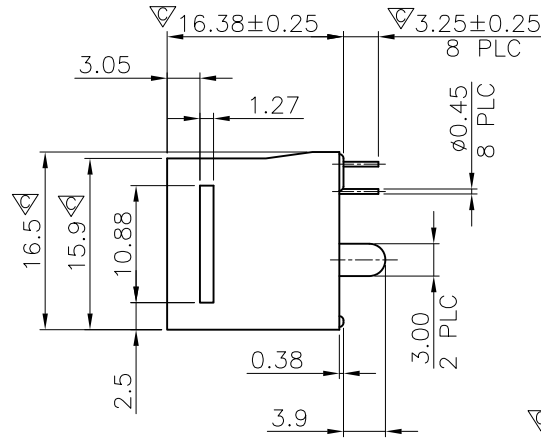
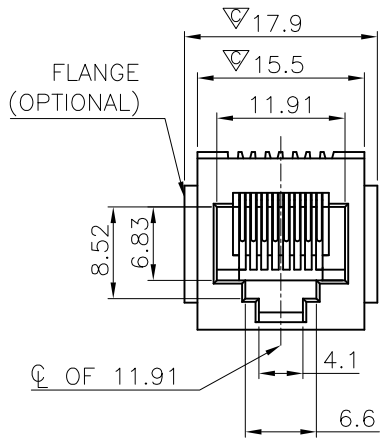
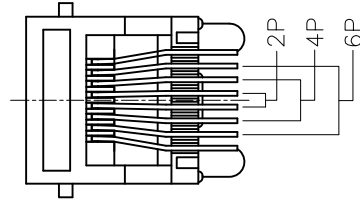
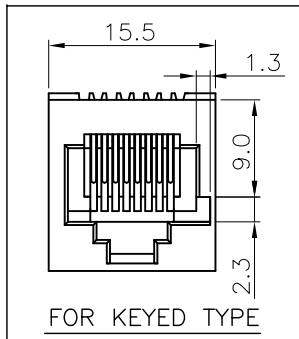
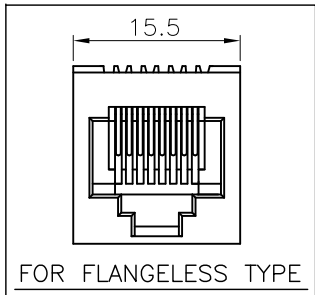


# RoHS Compliance



**RECOMMENDED PCB LAYOUT**  
 RECOMMENDED PCB THICKNESS: 1.6mm  
 TOLERANCE: ±0.05 (TOP VIEW)



| LTR       | DESCRIPTION | DATE | APVD |
|-----------|-------------|------|------|
| REVISIONS |             |      |      |

|   |   |
|---|---|
| THIS DRAWING IS A CONTROLLED DOCUMENT.<br>DO NOT SCALE DRAWING. |   |
| DIMENSIONS:<br>MM   | TOLERANCES UNLESS<br>OTHERWISE SPECIFIED:                               |
| THIRD ANGLE PROJECTION  | 0 PLC ± -<br>1 PLC ± 0.25<br>2 PLC ± 0.13<br>3 PLC ± 0.05<br>ANGLES ± - |
| MATERIAL<br>SEE NOTES   | FINISH<br>SEE NOTES   |
| DWN<br><i>A.HUANG</i>   | DATE<br>MAR-08-2010   |
| CHK<br><i>M.CHANG</i>   | MAR-08-2010   |
| APVD<br><i>W.J.YANG</i>   | MAR-09-2010   |

|  |                 |                      |
|--|-----------------|----------------------|
| 淮洋有限公司 HUI YANG CO.,LTD.<br>TEL : 886-2-8261-8986 FAX : 886-2-8261-1885<br>www.hy1688.com.tw 236新北市土城區中央路二段191號10樓之5 |                 |                      |
| TITLE<br>8POSITION, 180°, L PEGS,<br>TOP ENTRY PCB JACK  |                 |                      |
| SIZE<br>A3   | CAUSE CODE<br>- | DRAWING NO<br>960504 |
| WEIGHT<br>-  | GRAMS Ref.      | REV 4 SHEET 1        |