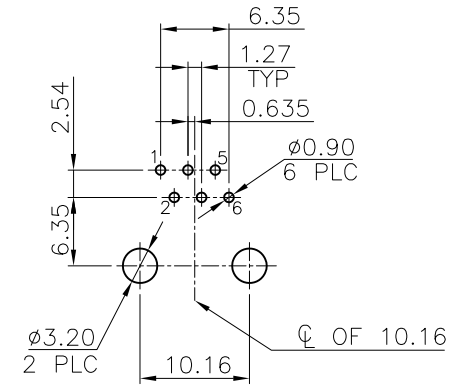
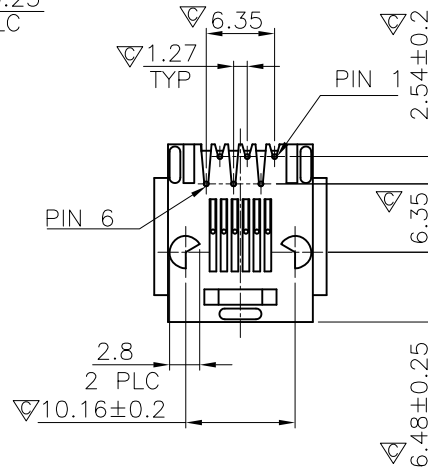
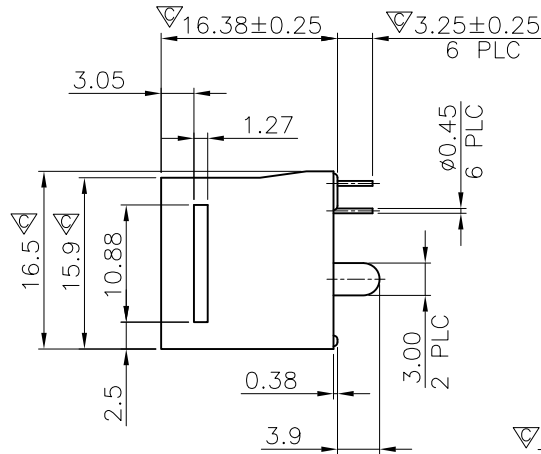
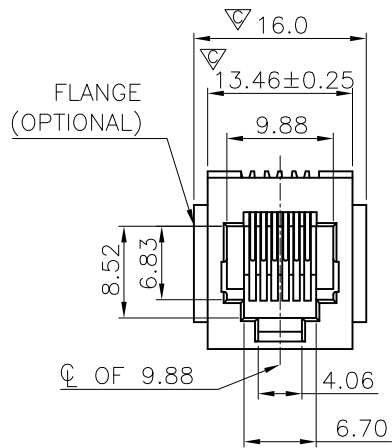
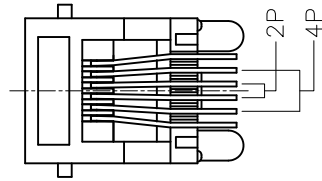
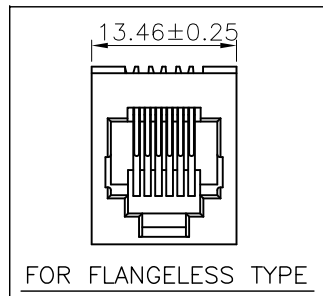


RoHS Compliance



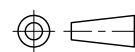
RECOMMENDED PCB LAYOUT

RECOMMENDED PCB THICKNESS: 1.6mm
TOLERANCE: ±0.05 (TOP VIEW)



THIS DRAWING IS A CONTROLLED DOCUMENT.
DO NOT SCALE DRAWING.

DIMENSIONS: MM
TOLERANCES UNLESS OTHERWISE SPECIFIED:



THIRD ANGLE PROJECTION

MATERIAL SEE NOTES
FINISH SEE NOTES

DWN *A.HUANG* DATE MAR-08-2010

CHK *M.CHANG* MAR-08-2010

APVD *W.J.YANG* MAR-09-2010

淮洋有限公司 HUI YANG CO.,LTD.

TEL : 886-2-8261-8986 FAX : 886-2-8261-1885

www.hy1688.com.tw 236新北市土城區中央路二段191號10樓之5

TITLE

6POSITION, 180°, L PEGS,
TOP ENTRY PCB JACK

SIZE CAUSE CODE DRAWING NO
A3 - 960502

WEIGHT - GRAMS Ref. REV 3 SHEET 1

LTR	DESCRIPTION	DATE	APVD
REVISIONS			