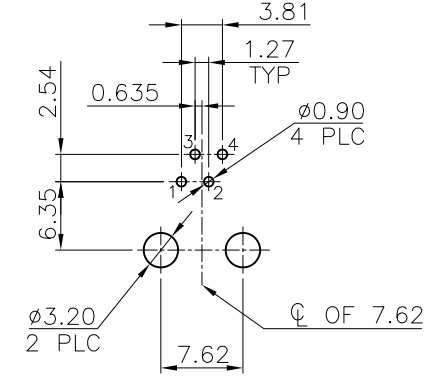
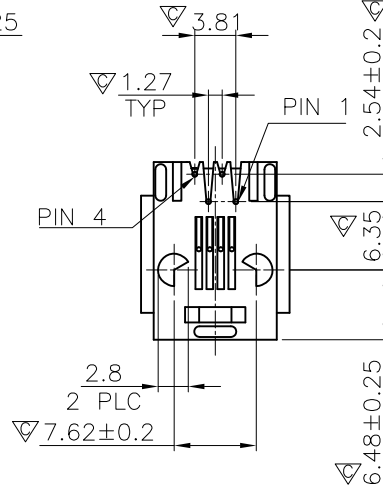
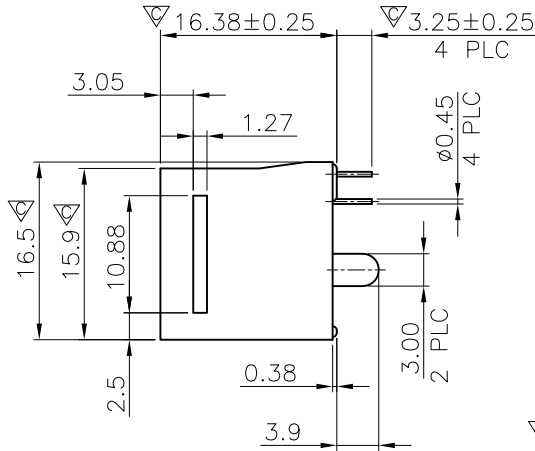
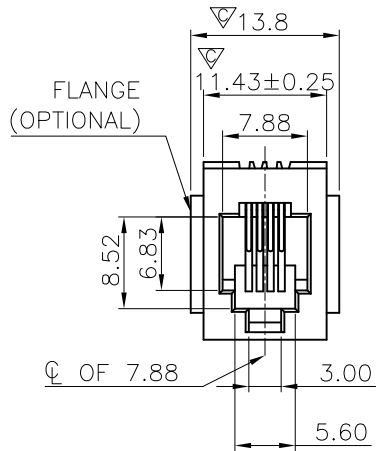
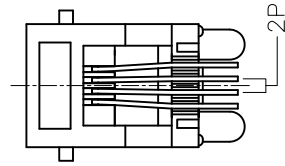
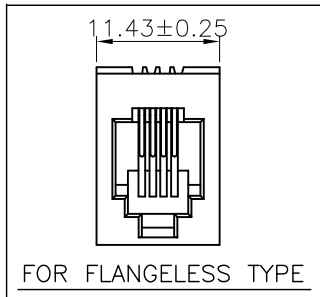


# RoHS Compliance



RECOMMENDED PCB LAYOUT  
 RECOMMENDED PCB THICKNESS: 1.6mm  
 TOLERANCE: ±0.05 (TOP VIEW)



THIS DRAWING IS A CONTROLLED DOCUMENT.  
 DO NOT SCALE DRAWING.

DIMENSIONS: MM  
 TOLERANCES UNLESS OTHERWISE SPECIFIED:

0 PLC	± -
1 PLC	± 0.25
2 PLC	± 0.13
3 PLC	± 0.05
ANGLES	± -

THIRD ANGLE PROJECTION

MATERIAL SEE NOTES FINISH SEE NOTES

DWN *A.HUANG* DATE MAR-05-2010

CHK *M.CHANG* MAR-05-2010

APVD *W.J.YANG* MAR-06-2010

淮洋有限公司 HUI YANG CO.,LTD.

TEL : 886-2-8261-8986 FAX : 886-2-8261-1885

www.hy1688.com.tw 236新北市土城區中央路二段191號10樓之5

TITLE  
 4POSITION, 180°, L PEGS,  
 TOP ENTRY PCB JACK

SIZE CAUGE CODE DRAWING NO  
 A3 - 960501

WEIGHT - GRAMS Ref. REV 3 SHEET 1

LTR	DESCRIPTION	DATE	APVD
REVISIONS			