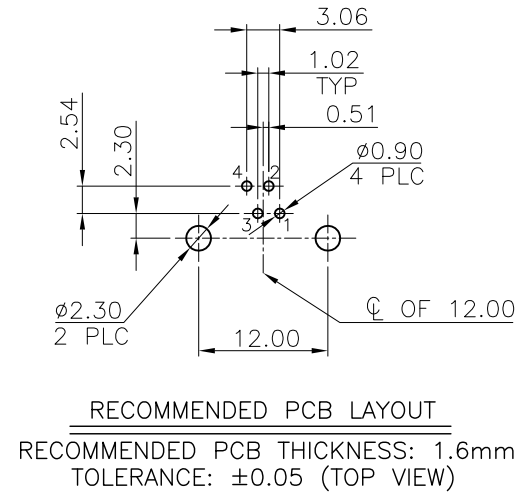
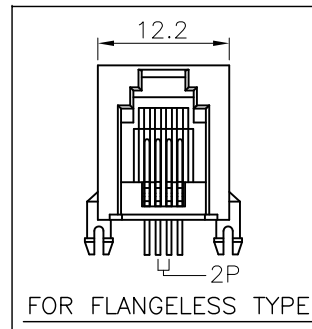
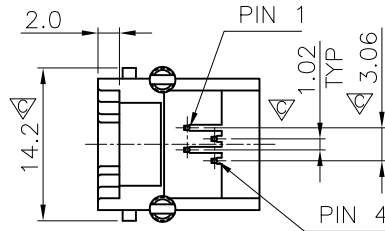
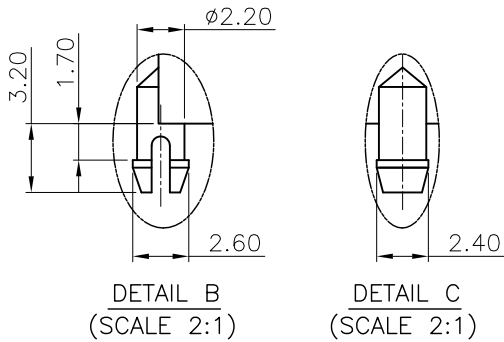
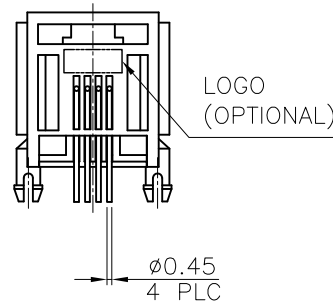
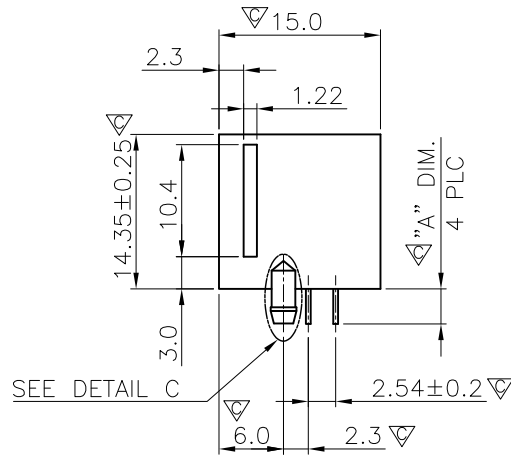
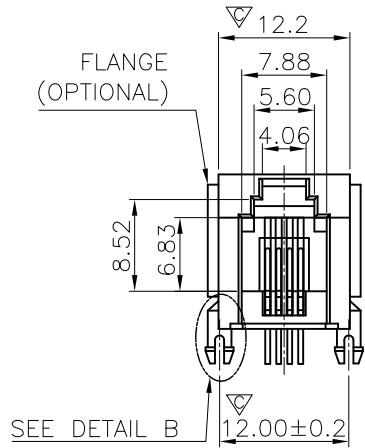


# RoHS Compliance



LTR	DESCRIPTION	DATE	APVD
REVISIONS			

THIS DRAWING IS A CONTROLLED DOCUMENT. DO NOT SCALE DRAWING.	
DIMENSIONS: MM	TOLERANCES UNLESS OTHERWISE SPECIFIED:
	0 PLC ± - 1 PLC ± 0.25 2 PLC ± 0.13 3 PLC ± 0.05 ANGLES ± -
THIRD ANGLE PROJECTION	
MATERIAL SEE NOTES	FINISH SEE NOTES
DWN <i>A.HUANG</i>	DATE JAN-29-2010
CHK <i>M.CHANG</i>	JAN-29-2010
APVD <i>W.J.YANG</i>	JAN-30-2010

淮洋有限公司 HUI YANG CO.,LTD. TEL : 886-2-8261-8986 FAX : 886-2-8261-1885 www.hy1688.com.tw 236新北市土城區中央路二段191號10樓之5		
TITLE 6*4POSITION, LOW PROFILE, SIDE ENTRY PCB JACK		
SIZE A3	CAUGE CODE -	DRAWING NO 960401
WEIGHT -	GRAMS Ref.	REV 3 SHEET 1