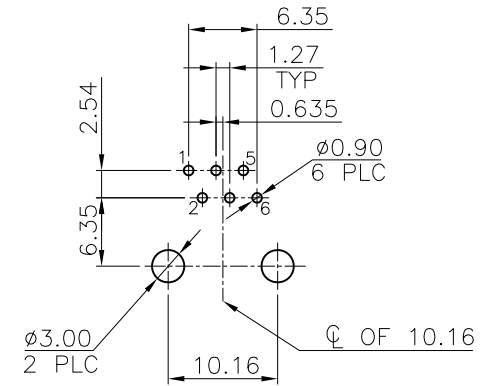
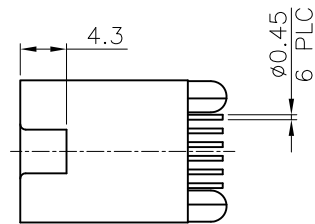
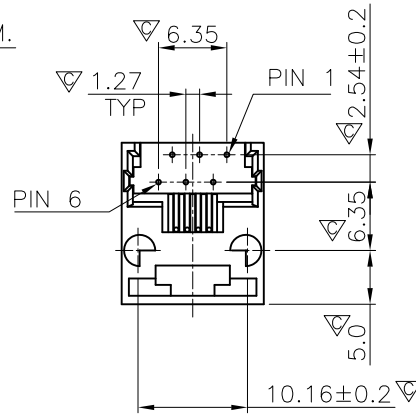
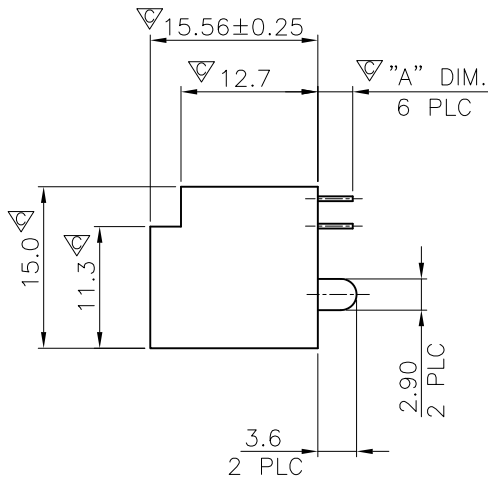
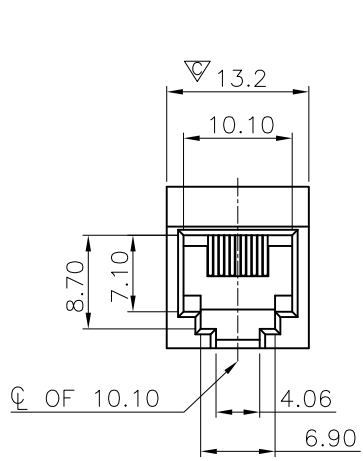


# RoHS Compliance



RECOMMENDED PCB LAYOUT  
 RECOMMENDED PCB THICKNESS: 1.6mm  
 TOLERANCE: ±0.05 (TOP VIEW)

THIS DRAWING IS A CONTROLLED DOCUMENT.  
 DO NOT SCALE DRAWING.

DIMENSIONS: MM  
 TOLERANCES UNLESS OTHERWISE SPECIFIED:

THIRD ANGLE PROJECTION  
 MATERIAL SEE NOTES  
 FINISH SEE NOTES

DWN	<i>A.HUANG</i>	DATE	JAN-26-2010
CHK	<i>M.CHANG</i>	DATE	JAN-26-2010
APVD	<i>W.J.YANG</i>	DATE	JAN-27-2010

淮洋有限公司 HUI YANG CO.,LTD.  
 TEL : 886-2-8261-8986 FAX : 886-2-8261-1885  
 www.hy1688.com.tw 236新北市土城區中央路二段191號10樓之5

TITLE  
 6POSITION, L PEGS,  
 TOP ENTRY PCB JACK

SIZE	A3	CAUSE CODE	-	DRAWING NO	960301
WEIGHT	-	GRAMS Ref.		REV	2
				SHEET	1

LTR	DESCRIPTION	DATE	APVD
REVISIONS			