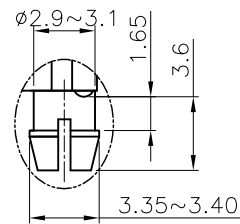
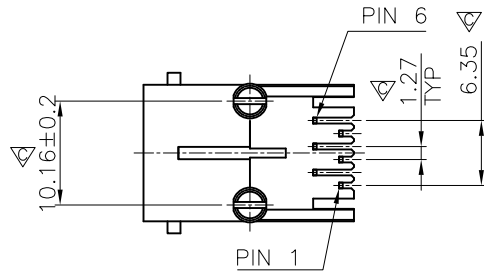
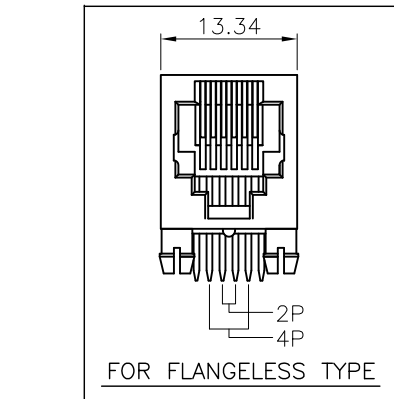
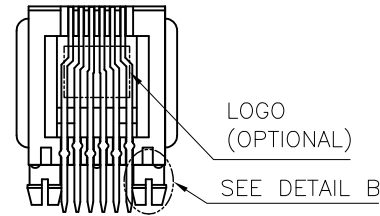
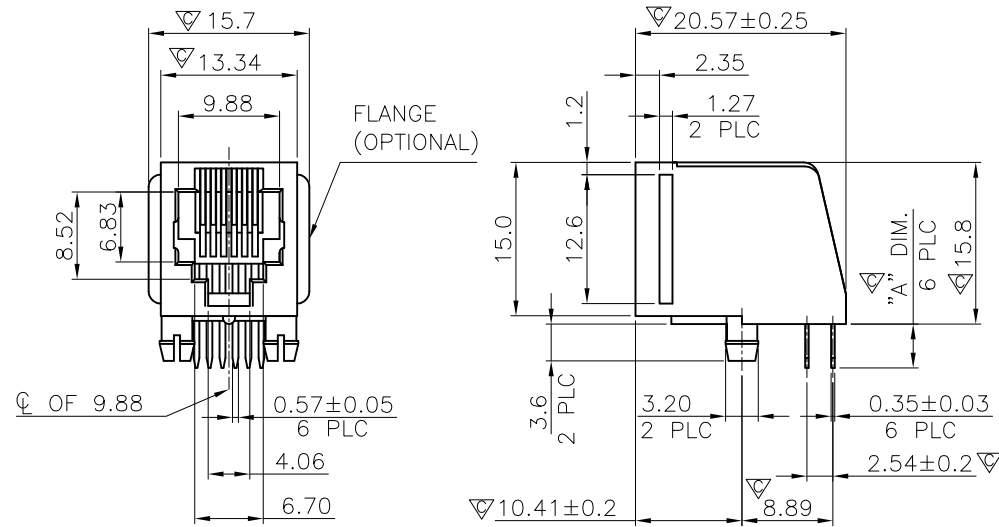
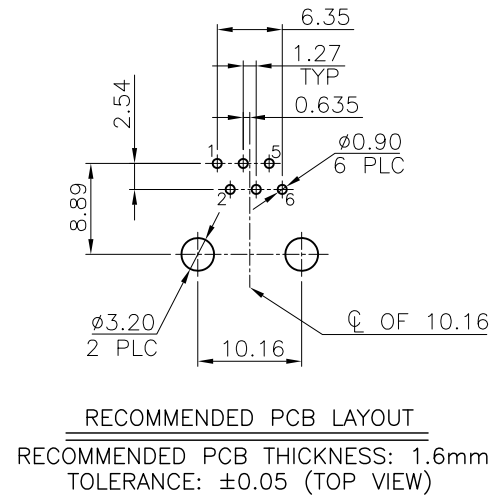


RoHS Compliance



DETAIL B
SCALE 2:1



NO.	REVISIONS	DATE	APVD
LTR	DESCRIPTION	DATE	APVD

THIS DRAWING IS A CONTROLLED DOCUMENT. DO NOT SCALE DRAWING.	
DIMENSIONS: MM	TOLERANCES UNLESS OTHERWISE SPECIFIED:
 THIRD ANGLE PROJECTION	0 PLC $\pm -$ 1 PLC ± 0.25 2 PLC ± 0.13 3 PLC ± 0.05 ANGLES $\pm -$
MATERIAL SEE NOTES	FINISH SEE NOTES
DWN <i>A.HUANG</i>	DATE JAN-15-2010
CHK <i>M.CHANG</i>	DATE JAN-15-2010
APVD <i>W.J.YANG</i>	DATE JAN-16-2010

淮洋有限公司 HUI YANG CO.,LTD. TEL : 886-2-8261-8986 FAX : 886-2-8261-1885 www.hy1688.com.tw 236新北市土城區中央路二段191號10樓之5		
TITLE 6POSITION, 90° (SPLIT PEGS), SIDE ENTRY PCB JACK		
SIZE A3	CAUSE CODE -	DRAWING NO 960202
WEIGHT -	GRAMS Ref.	REV 4 SHEET 1