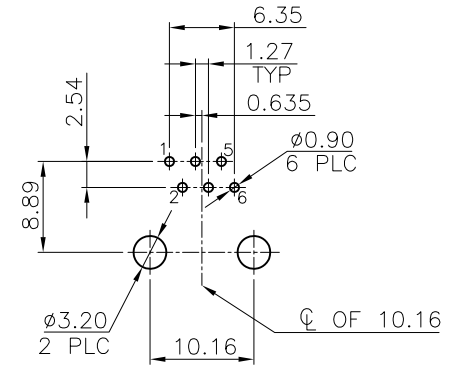
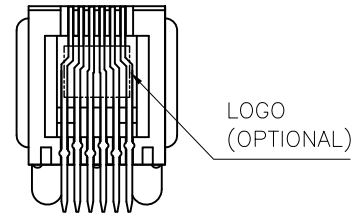
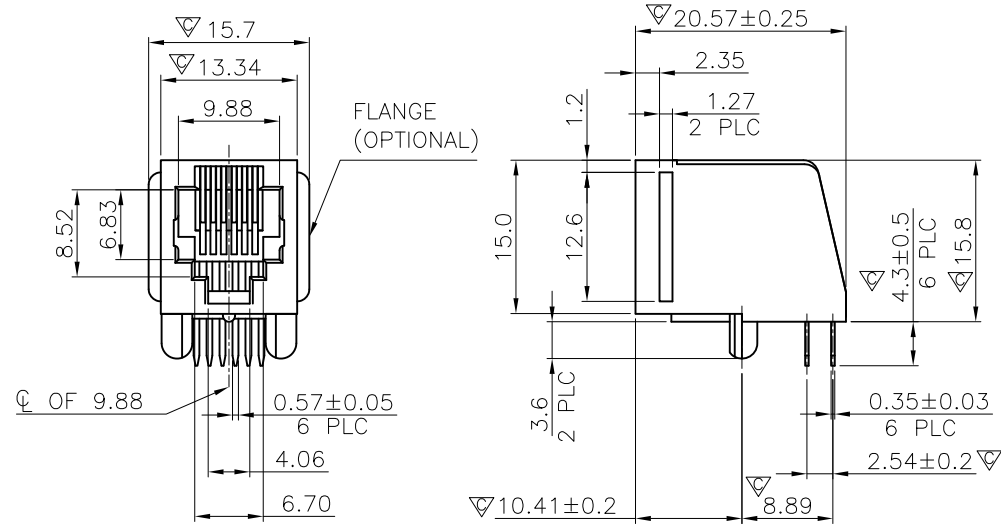
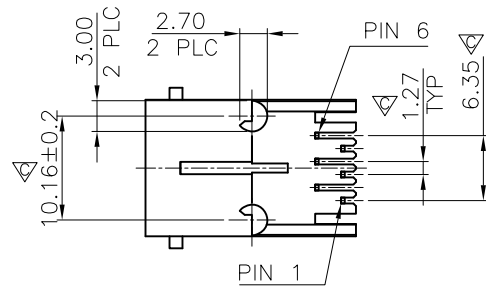
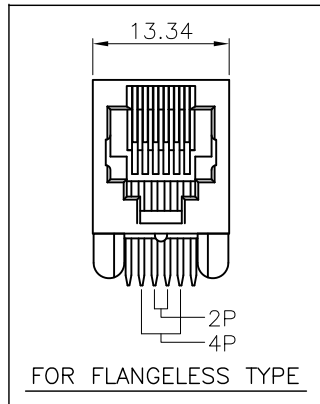


RoHS Compliance



RECOMMENDED PCB LAYOUT
RECOMMENDED PCB THICKNESS: 1.6mm
TOLERANCE: ±0.05 (TOP VIEW)



THIS DRAWING IS A CONTROLLED DOCUMENT. DO NOT SCALE DRAWING.			
DIMENSIONS: MM		TOLERANCES UNLESS OTHERWISE SPECIFIED:	
 THIRD ANGLE PROJECTION		0 PLC	± -
		1 PLC	± 0.25
MATERIAL SEE NOTES		2 PLC	± 0.13
		3 PLC	± 0.05
FINISH SEE NOTES		ANGLES	± -
DWN	<i>A.HUANG</i>	DATE	JAN-12-2010
CHK	<i>M.CHANG</i>	DATE	JAN-12-2010
APVD	<i>W.J.YANG</i>	DATE	JAN-13-2010

淮洋有限公司 HUI YANG CO.,LTD.
 TEL : 886-2-8261-8986 FAX : 886-2-8261-1885
 www.hy1688.com.tw 236新北市土城區中央路二段191號10樓之5

TITLE 6POSITION, 90° (L PEGS), SIDE ENTRY PCB JACK		
SIZE	CAUSE CODE	DRAWING NO
A3	-	960102
WEIGHT	- GRAMS Ref.	REV 2 SHEET 1

LTR	DESCRIPTION	DATE	APVD
REVISIONS			