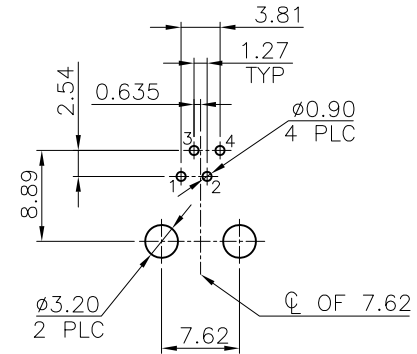
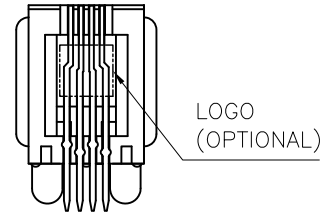
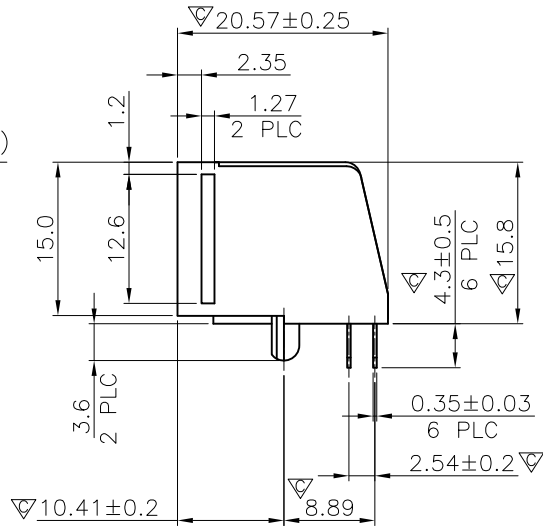
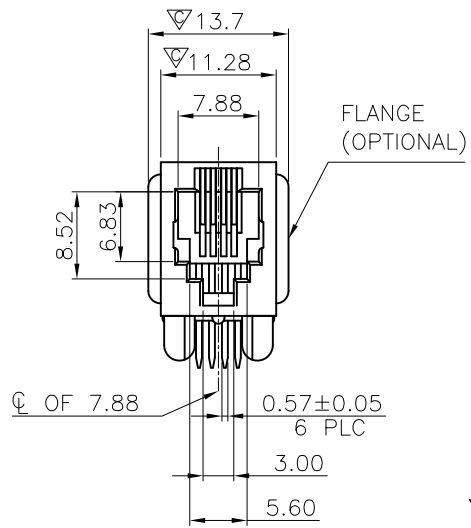
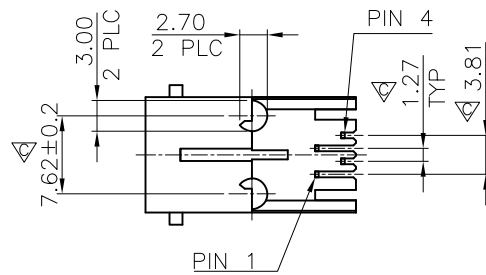
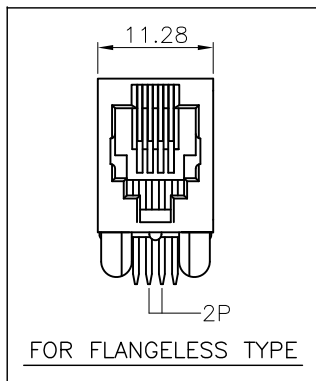


RoHS Compliance



RECOMMENDED PCB LAYOUT
 RECOMMENDED PCB THICKNESS: 1.6mm
 TOLERANCE: ±0.05 (TOP VIEW)



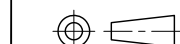
THIS DRAWING IS A CONTROLLED DOCUMENT.
 DO NOT SCALE DRAWING.

淮洋有限公司 HUI YANG CO.,LTD.

DIMENSIONS: MM

TOLERANCES UNLESS OTHERWISE SPECIFIED:

TEL : 886-2-8261-8986 FAX : 886-2-8261-1885



0 PLC ± -
 1 PLC ± 0.25
 2 PLC ± 0.13
 3 PLC ± 0.05
 ANGLES ± -

www.hy1688.com.tw 236新北市土城區中央路二段191號10樓之5

THIRD ANGLE PROJECTION

TITLE
 4POSITION, 90° (L PEGS),
 SIDE ENTRY PCB JACK

MATERIAL SEE NOTES

FINISH SEE NOTES

SIZE CAUSE CODE DRAWING NO

DWN *A.HUANG* DATE JAN-12-2010

A3 - 960101

CHK *M.CHANG* JAN-12-2010

WEIGHT - GRAMS Ref. REV 2 SHEET 1

APVD *W.J.YANG* JAN-13-2010

LTR	DESCRIPTION	DATE	APVD
REVISIONS			