

### Feature -

Single key and multi - keys ,  
Inter-lock available

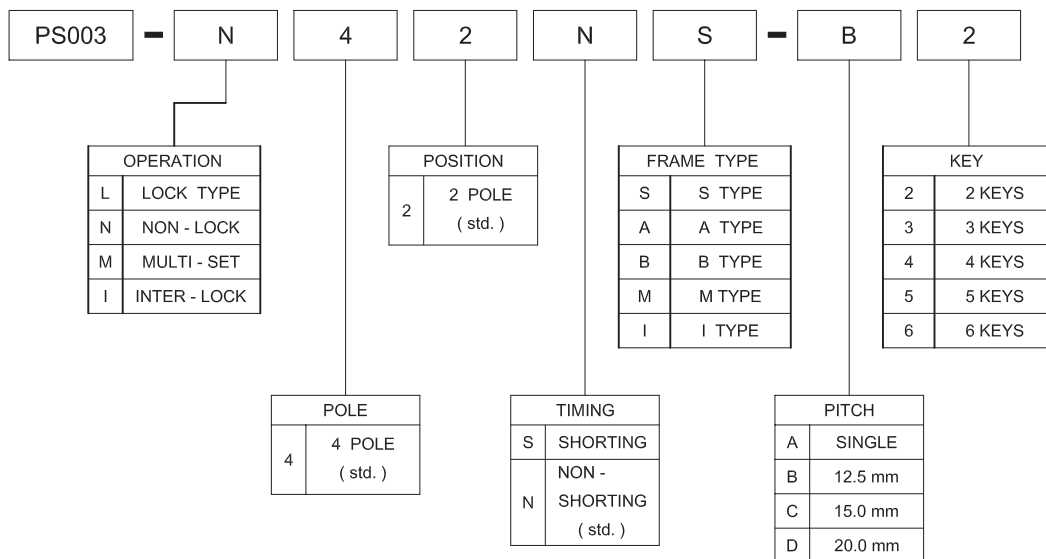
### Applications -

Consumer products , Instrumentation ,  
Computer products ,  
Communication equipment

## ► SPECIFICATIONS

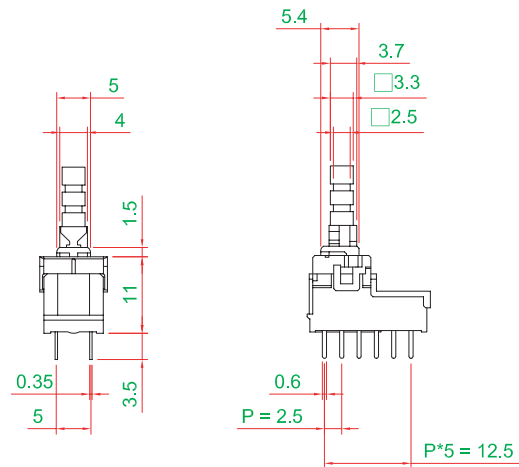
SWITCH SPECIFICATIONS	
POLE - POSITION	4P2T , Lock , Momentary , Interlock Type
CONTACT RATING	30 V DC , 0.1 A
CONTACT RESISTANCE	40 mΩ max . 1.5 V DC ; 100 mA , by Method of Voltage DROP
INSULATION RESISTANCE	100 MΩ min . 500 V DC for 1 minute
DIELECTRIC STRENGTH	Breakdown is not Allowable ; 500 V AC for 1 Minute
OPERATING FORCE	300 ± 100 gf
OPERATING LIFE	10,000 cycles
OPERATING TEMPERATURE RANGE	-20°C ~ 70°C

## ► HOW TO ORDER

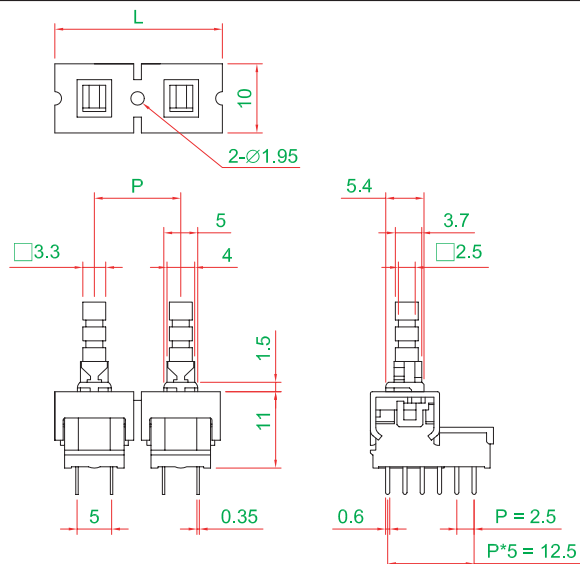
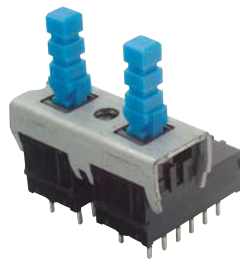


► DIMENSION

PS003 - N42NS

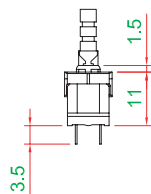


PS003 - I42NI

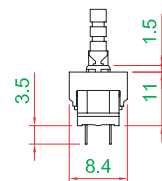


► FRAME TYPE / PITCH & KEY

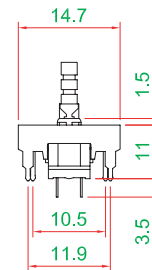
S TYPE



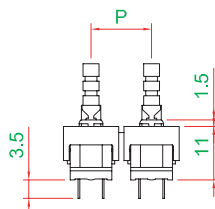
A TYPE



B TYPE



M / I TYPE



PITCH & KEY

		L					
No. of Keys		2	3	4	5	6	
P ( PITCH )	A	SINGLE					
	B	12.5	27.5	40	52.5	65	77.5
	C	15	30	45	60	75	90
	D	20	35	55	75	95	115