

Feature :


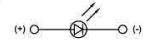
- Water proof IP67 sealed
- Metal switch
- Panel mount
- Full color LED illuminated available

Application :

- Consumer products
- Computer products
- Instrumentation
- Communication equipments

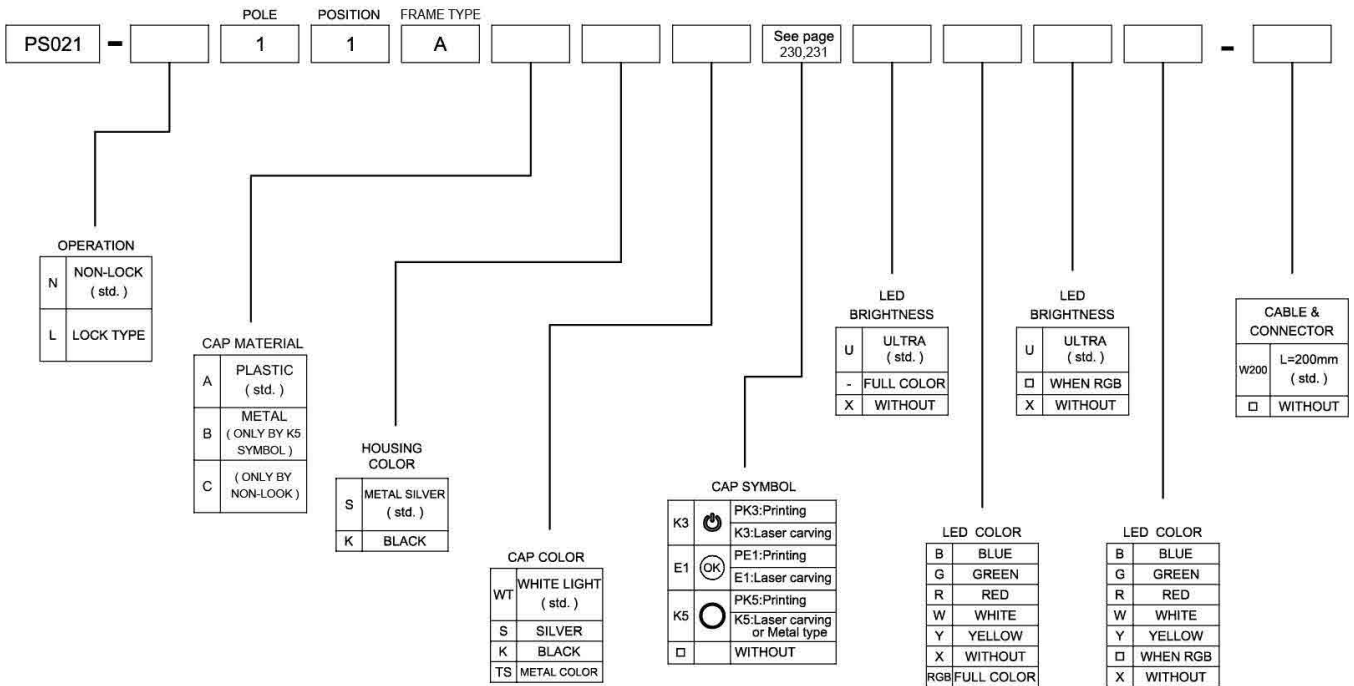


SWITCH SPECIFICATIONS	
POLE - POSITION	SPST , Lock type are Available
CONTACT RATING	50 mA 12 V DC
CONTACT RESISTANCE	100 mΩ MAX.
INSULATION RESISTANCE	100 MΩ MIN. 500 V DC
DIELECTRIC STRENGTH	Breakdown is not Allowable ; 500 V AC for 1 Minute
OPERATING FORCE	300 ± 100 gf
OPERATING LIFE	100,000 cycles
OPERATING TEMPERATURE RANGE	-40°C ~ 85°C
SEALING	PANEL SEALED TO IP67

LED SPECIFICATIONS								
ATTENTION LEDs are Electrostatic Sensitive devices  	Unit	Value / LED Color						
		Blue	Pure Green	Red	Yellow	Orange	Green	White
LUMINOUS INTENSITY@20mA Iv	mcd	80	150	220	180	320	50	450
Dominant Wavelength λD	nm	465	525	630	590	601	567	/
FORWARD VOLTAGE@20mA Vf	V	3.3	3.2	1.95	2	2.1	2.1	3.3

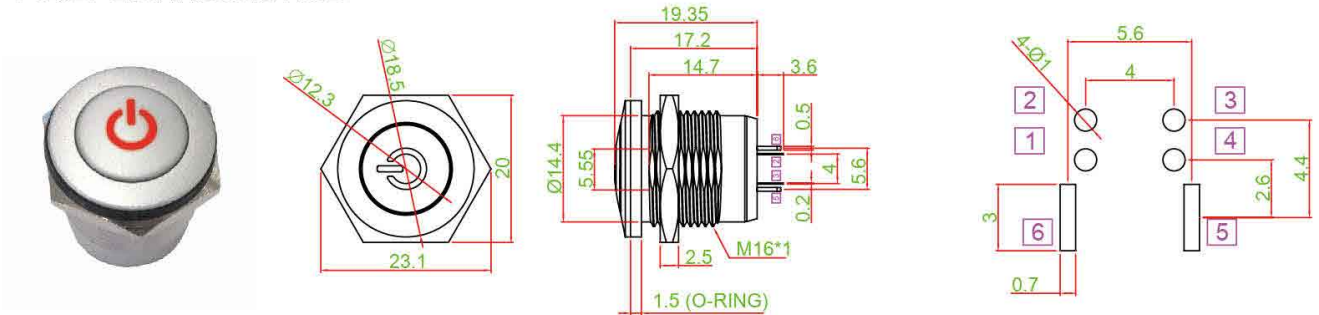
■ A single bin cannot be ordered, please contact us in advance if you need a particular bin sorting before placing your order to clarify the lead time, MOQ and pricing

● HOW TO ORDER

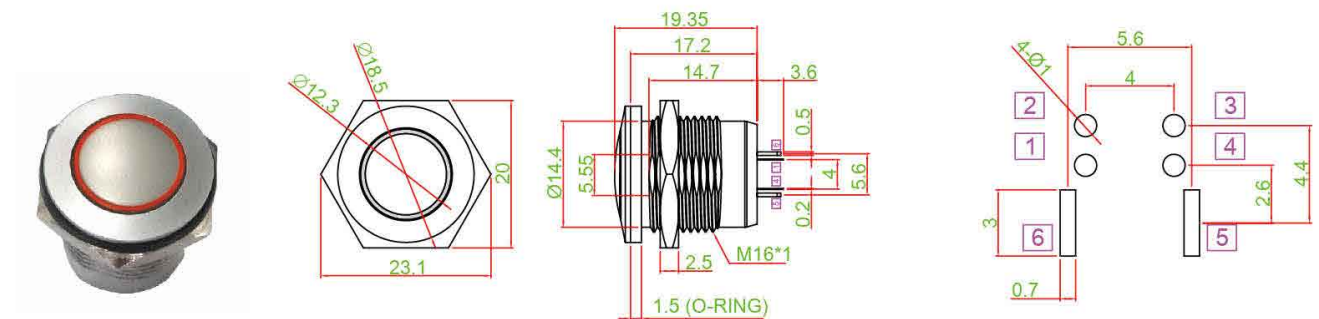


DIMENSION

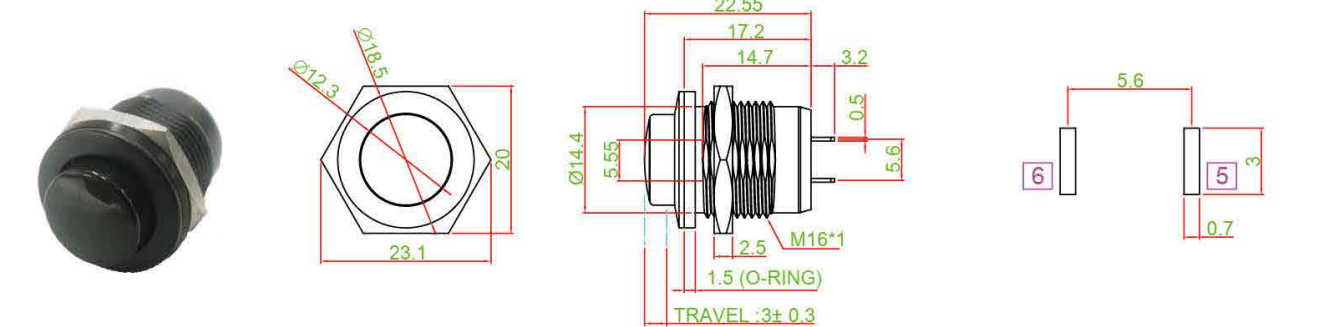
• PS021-L11AASK3-RGB



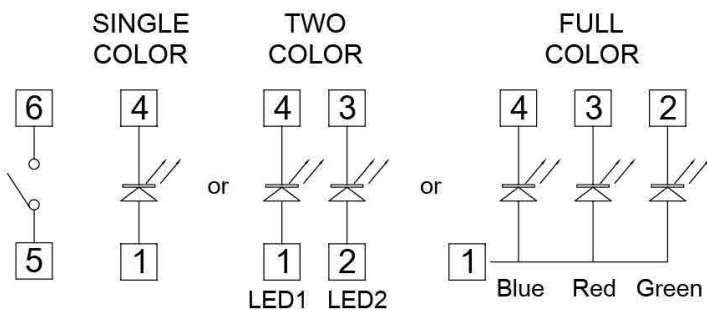
• PS021-L11ABSTSK5UBXX



• PS021-N11ACKKXXXX



PANEL CUT OUT



CIRCUIT

