



Feature -

- LCD display panel on the switch button
- Viewing Area 14.0(W)mm x 10.1(H)mm
- Resolution:48(W)xRGBx48(H)Dots
- Programable Tex,Graphic,and Video display
- Low power consumption
- Single Pole Single Throw Switch Contact
- Contact travel:2.5mm
- Dimension:22mm(L)x22mm(W)x18mm(H)

Applications -

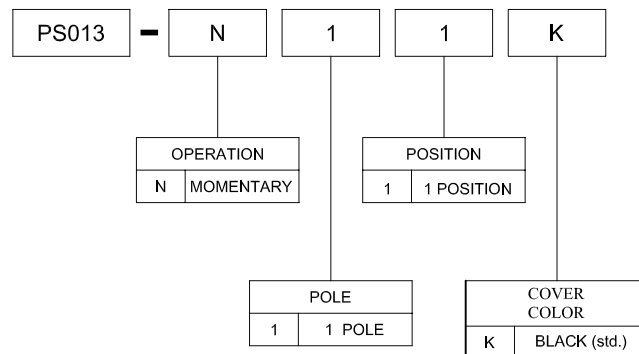
- Audio/Video Switcher,Telecommunication,
- Broadcast system,Instrumentation,Security system,
- Gambling machine,POS(Point of Sale)system,keyboard.

► SPECIFICATIONS

SWITCH SPECIFICATIONS	
POLE - POSITION	OFF - <ON> for Momentary Type , SPST
CONTACT RATING	50mA 12V DC
CONTACT RESISTANCE	200 mΩ max .
INSULATION RESISTANCE	100 MΩ min . 500 V DC
DIELECTRIC STRENGTH	Breakdown is not Allowable ; 500 V AC for 1 Minute
OPERATING FORCE	150 ± 50 gf
OPERATING LIFE	100,000 cycles
OPERATING TEMPERATURE RANGE	-20°C ~ 70°C
TOTAL TRAVEL	2.5 ± 0.2 mm

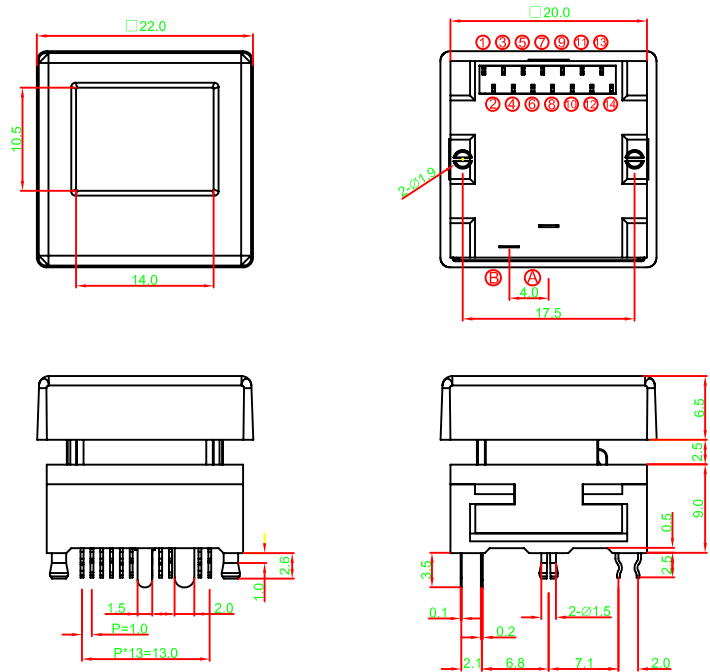
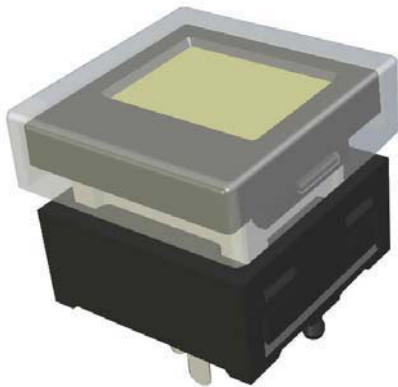
■ Physical and electrical information of LED will be provided upon customer's request on switches .

► HOW TO ORDER



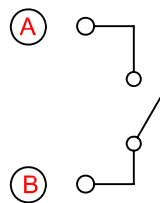
► DIMENSION & FRAME TYPE

PS013-N11K

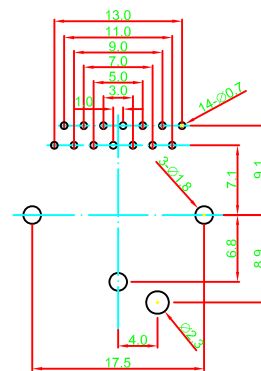


► SCHEMATIC

SWITCH



► P.C.B LAYOUT



► MATERIAL

- COVER - PC
- ACTUATOR - PA
- BASE FRAME - PA + GF
- TERMINAL - BRASS SILVER PLATING
- MOVING CONTACT - PHOSPHOR BRONZE
GOLD PLATING

► UNIT WEIGHT

- PS013-N11K : 6.51 ± 0.05 g / pcs

► DIMENSION & FRAME TYPE

ELECTRICAL ABSOLUTE RATINGS

Item	Symbol	Min	Max	Unit	
Power Supply for Logic	V _{DD} -V _{SS}	-0.3	4.0	Volt	
Power Supply for LCD	V _{DD} -V _{LCD}	-0	20.0	Voit	
Innut Voltage	V1	-0.3	V _{DD} +0.5	Volt	
LED Power Dissipation	P _{AD}	-	72	mW	
LED Forward current	I _{AF}	-	25	mA	
LED Reverse Voltage	V _R		5	V	

ELECTRICAL CHARACTERISTICS

ITEM	DESCRIPTION
Product no	SCC007A
Viewing Area	14.0(W)mmX10.1(H)mm
Dot Size	0.17(W)mmX0.17(H)mm
Dot Pitch	0.18(W)mmX0.18(H)mm
Resolution	48(W)XRGBX48(H)mm
Duty Ratio	1/48 Duty
Bias	1/7 Bias
Driving IC	ST7626(COG)
DC to DC Ciucuit	Build-In
Approx. Weight	TBD

GENERAL SPECIFICATION

ITEM	DESCRIPTION
Product no	SCC007AWWB-H-V
LCD Type	Color STN Negative White &Black (65K)
RearPolarizer	Transflective
Backlight Type	LED
Backlight Color	White
View Direction	6O'clock
Temperature Range	Normal
Frame	Black

Pin No	Pin Out	Description
1	V0	LCD dirver supply voltages
2	V1	
3	V2	
4	V3	
5	V4	
6	RST	Reset input pin . When Restelb is "L"
7	SI	This pin is used to input serial clock when the serual interface is selected (3line)
8	SCL	This pin is used to input serial clock when th interface is selected The data is converted in the rising edge (3line)
9	/CS	Chip select input pins Date/instruction I/O is enabled only
10	VSS	Ground
11	VDD	Power supply
12	LED-A	LED Anode
13	LED-K	LED Cathode
14	NC	No connect

*.詳細資料請與公司業務聯繫

More details please contact with sales.