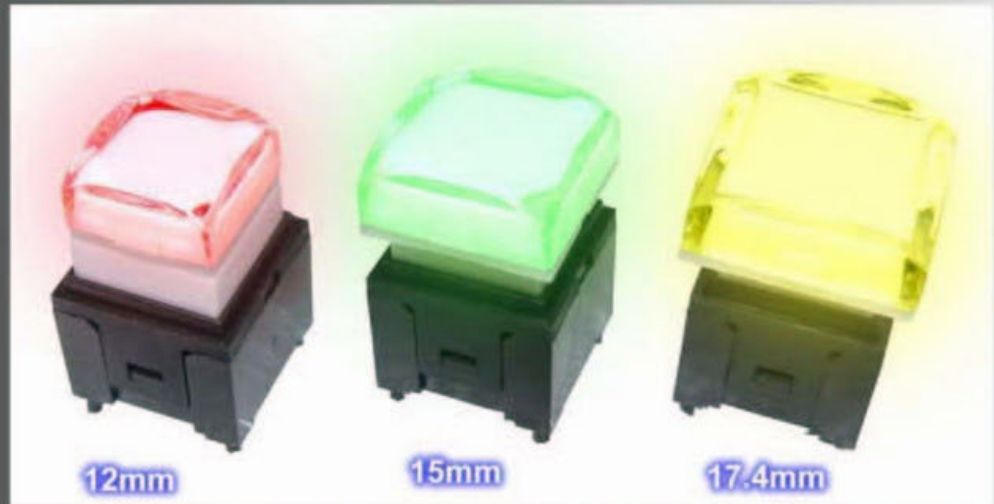




淮洋有限公司
HUI YANG CO.,LTD.
www.hy1688.com
www.hy1688.com.tw

PS011 Series Push Button Switch with LED



Application: Audio/Video switcher, Telecommunication, Broadcast system, Instrumentation, POS (Point of Sale) system

(Application reference pictures)



Features: 12 mm, 15mm, 17.4mm caps options.
With and without tactile feeling
Single and Bi-colors led (red, green, yellow, blue and white)
Legends by film insert
Long stroke: 4.5mm

Specification:

1. 1 Pole 1 Throw.
2. Non-Lock type.
3. Rating: 100mA, 12VDC
4. Contact resistance: 200m Ω MAX.
5. Insulation resistance: 500VDC, 100M Ω MIN..
6. Operating temperature: -20 $^{\circ}$ C ~ 70 $^{\circ}$ C
7. Electrical life: 1,000,000 MIN.
8. Contact travel: 4.5mm

TEL:886-(02)-82610858
FAX:886-(02)-82611885

236台北縣土城市中央路二段191號10樓之5
10F.-5, No.191, Sec. 2, Zhongyang Rd.,
Tucheng City, Taipei County Taiwan 236,
R.O.C



Feature - Noiseless, with stroke travel 4.5 mm
 With and without tactile feeling
 Long operation life: 1 million cycles Min.
 High bright LED illumination, Single or Bi-color led.
 (red/greed/yellow/blue/white)
 Legends by film insert, Cap options: 12mm, 15mm and 17.4mm

Applications -
 Audio/Video switcher, Telecommunication,
 Broadcast system, Instrumentation,
 POS (Point of Sale) system.

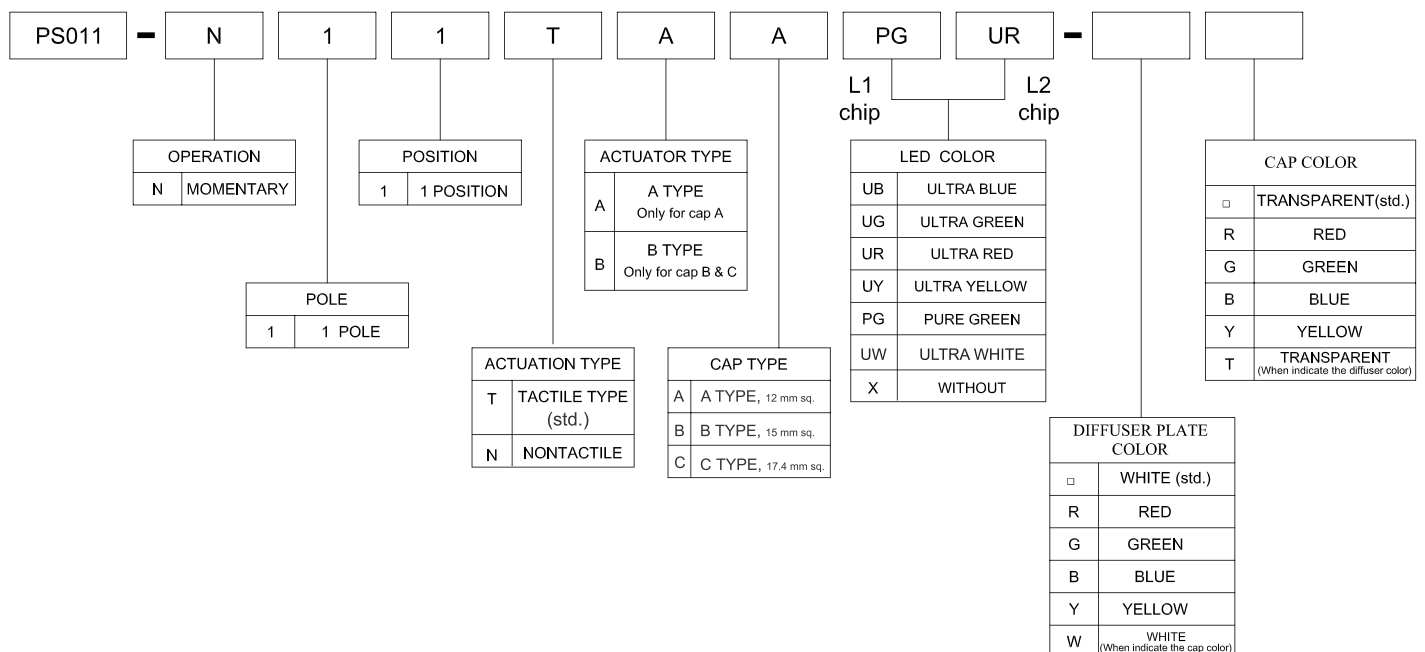
► SPECIFICATIONS

SWITCH SPECIFICATIONS	
POLE - POSITION	OFF - <ON> for Momentary Type , SPST
CONTACT RATING	100mA 12V DC
CONTACT RESISTANCE	200 mΩ max .
INSULATION RESISTANCE	100 MΩ min . 500 V DC
DIELECTRIC STRENGTH	Breakdown is not Allowable ; 500 V AC for 1 Minute
OPERATING FORCE	250 ± 100 gf
OPERATING LIFE	1,000,000 cycles
OPERATING TEMPERATURE RANGE	-20°C ~ 70°C
TOTAL TRAVEL	4.5 ± 0.2 mm

LED SPECIFICATIONS					
	ATTENTION	Unit	Value / LED Color		
			Ultra Green	Pure Green	Ultra Red
FORWARD CURRENT	IF	mA	30	20	20
REVERSE VOLTAGE	VR	V	5.0	5.0	5.0
REVERSE CURRENT	IR	μA	10	10	10
FORWARD VOLTAGE@20mA	VF	V	1.7-2.5	3.1-3.8	1.7-2.6
LUMINOUS INTENSITY@20mA	IV	mcd	20	100	60

■ Physical and electrical information of LED will be provided upon customer's request on switches .

► HOW TO ORDER

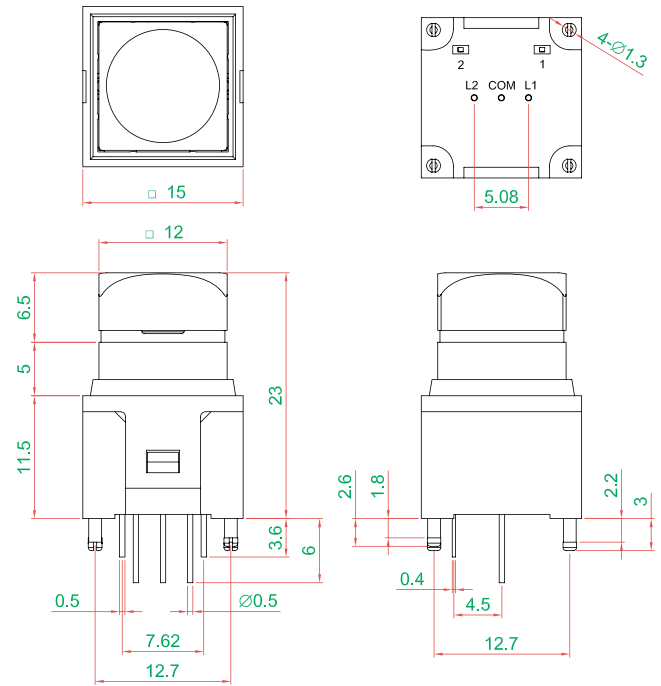


► DIMENSION & FRAME TYPE

PS011-N11TAA □ □



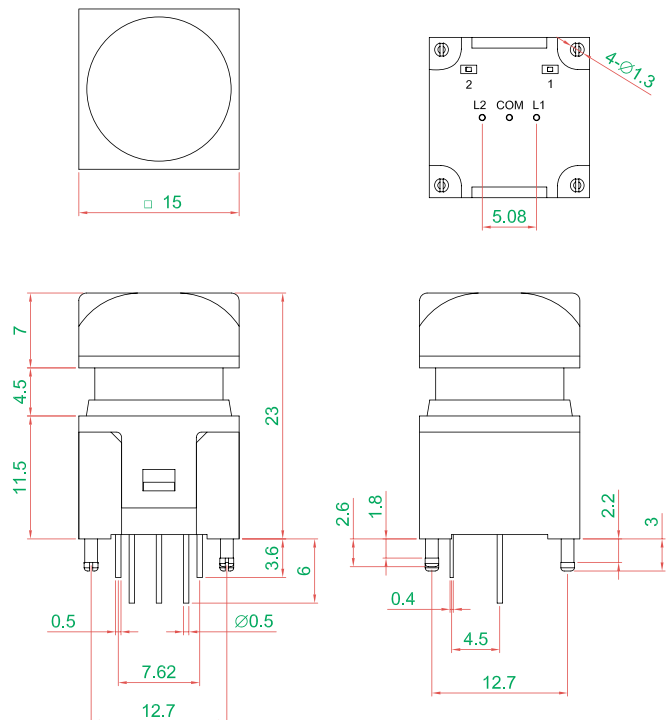
BOTTOM VIEW



PS011-N11TBB □ □

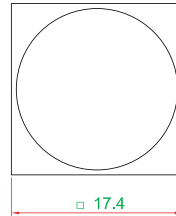


BOTTOM VIEW

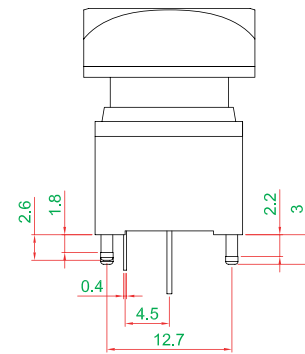
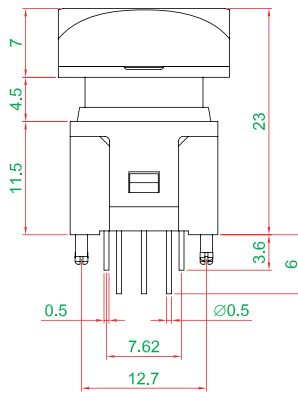
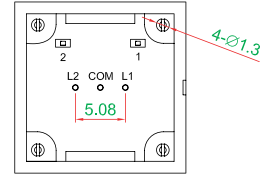


► DIMENSION & FRAME TYPE

PS011-N11TBC □ □

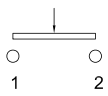


BOTTOM VIEW

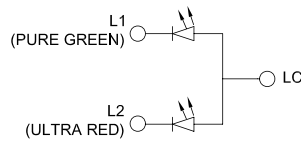


► SCHEMATIC

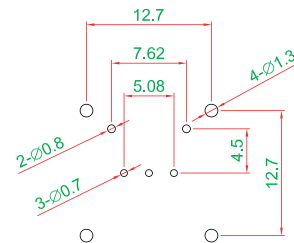
SWITCH



LED



► P.C.B LAYOUT



► MATERIAL

- COVER - PC
- ACTUATOR - PA
- BASE FRAME - PA + GF
- TERMINAL - BRASS SILVER PLATING
- MOVING CONTACT - PHOSPHOR BRONZE GOLD PLATING

► UNIT WEIGHT

- PS011-N11TAA □ □ : 3.3 ± 0.05 g / pcs
- PS011-N11TBB □ □ : 3.6 ± 0.05 g / pcs
- PS011-N11TBC □ □ : 4.5 ± 0.05 g / pcs