

### Feature :


- Water proof IP67 sealed
- SPST, momentary function
- Snap in panel mount installation
- Bi-color LED illuminated available

### Application :

- Automotive industry
- Office appliances
- Communication equipments
- Racing helmet

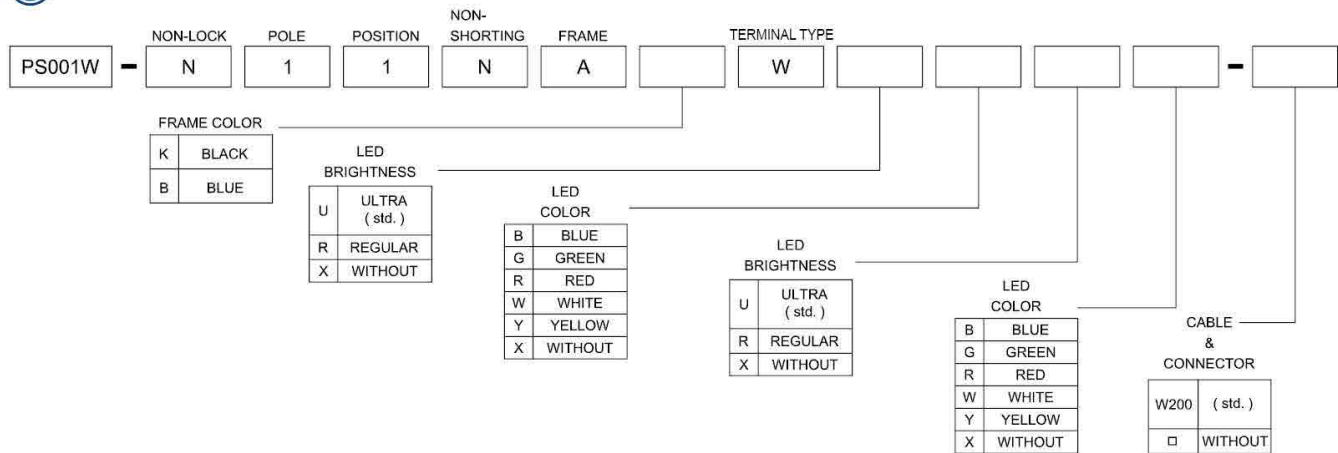


SWITCH SPECIFICATIONS	
POLE - POSITION	Momentary Type , SPST with LED
CONTACT RATING	30 V DC , 0.1 A
CONTACT RESISTANCE	50 mΩ MAX. 1.5 V DC ; 100 mA , by Method of Voltage DROP
INSULATION RESISTANCE	100 MΩ MIN. 500 V DC
DIELECTRIC STRENGTH	Breakdown is not Allowable ; 500 V AC for 1 Minute
OPERATING FORCE	400 ± 100 gf
OPERATING LIFE	50,000 cycles
OPERATING TEMPERATURE RANGE	-40°C ~ 85°C
TOTAL TRAVEL	1.0 ± 0.3 mm
SEALING	IP67

LED SPECIFICATIONS								
ATTENTION LEDs are Electrostatic Sensitive devices 	Unit	Value / LED Color						
		Blue	Pure Green	Red	Yellow	Orange	Green	White
LUMINOUS INTENSITY@20mA I <sub>v</sub>	mcd	900	6500	900	1300	900	400	1200
Dominant Wavelength λ <sub>D</sub>	nm	470	525	635	590	601	570	/
FORWARD VOLTAGE@20mA V <sub>f</sub>	V	3.2	3.3	1.95	2	2.1	2.1	4

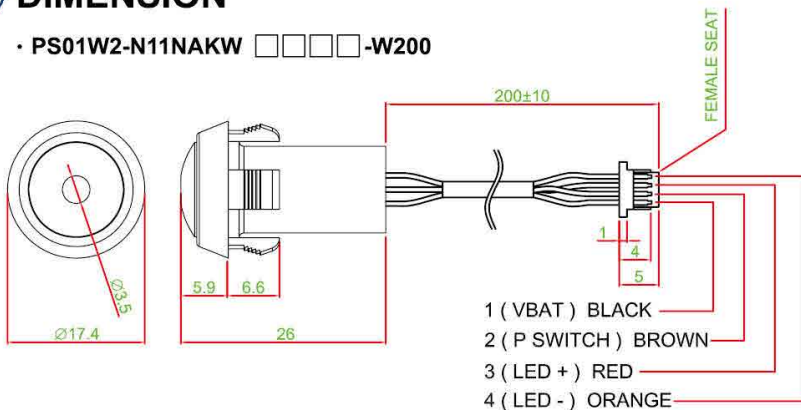
■ A single bin cannot be ordered, please contact us in advance if you need a particular bin sorting before placing your order to clarify the lead time, MOQ and pricing

## HOW TO ORDER

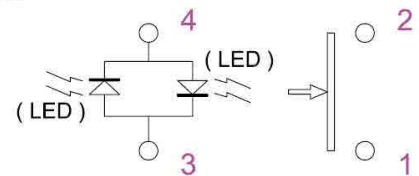


## DIMENSION

• PS01W2-N11NAKW □□□□-W200



## CIRCUIT



## PANEL CUT OUT

Z	D
1.0 ~ 2.0	15.2 ~ 15.4
2.0 ~ 2.5	15.4 ~ 15.8
2.5 ~ 3.0	15.8 ~ 16.0