

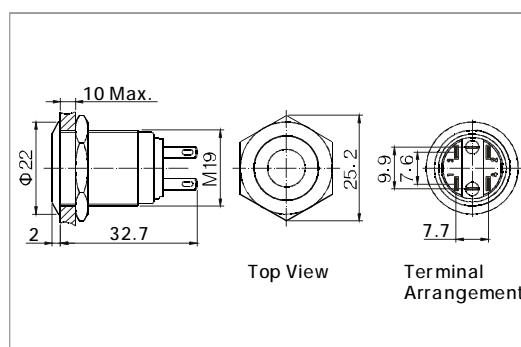
ANTI-VANDAL PUSHBUTTONS

DOT ILLUMINATED PUSHBUTTON



LAS1GQ-11□D

- ⊙ Φ 19mm diameter
- ⊙ 5A/250VAC
- ⊙ 1NO1NC
- ⊙ The crust material:Stainless Steel
- ⊙ Dot Illuminated
- ⊙ IP Degree:IP65

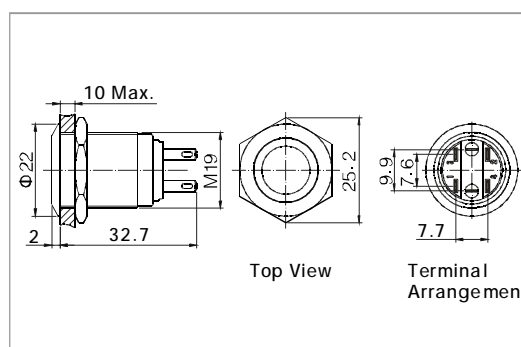


RING ILLUMINATED PUSHBUTTON



LAS1GQ-11□E

- ⊙ Φ 19mm diameter
- ⊙ 5A/250VAC
- ⊙ 1NO1NC
- ⊙ The crust material:Stainless Steel
- ⊙ Ring Illuminated
- ⊙ IP Degree:IP65



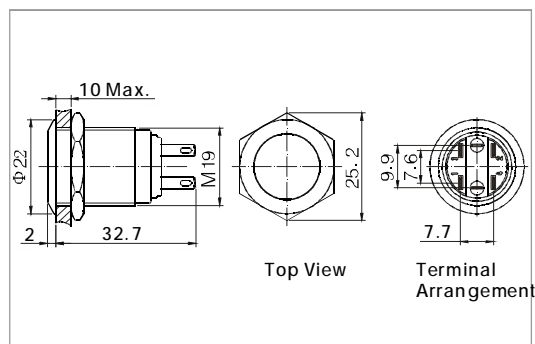
Specification	LAS1GQ-11□D	LAS1GQ-11□E
The Front Shape	Flat Round	Flat Round
Terminal Type	Pin Terminal(2.8×0.5mm)	Pin Terminal(2.8×0.5mm)
Switching	No.2	No.2
Max.Switch Rating	5A/250VAC	5A/250VAC
Contact Resistance	$\leq 50m\Omega$	$\leq 50m\Omega$
Insulation Resistance	$\geq 1000M\Omega$	$\geq 1000M\Omega$
Dielectric Strength	2000VAC	2000VAC
Operation Temp.	-20°C ~ +70°C	-20°C ~ +70°C
Mechanical Life	1,000,000cycles	1,000,000cycles
Electrical Life	50,000 cycles	50,000 cycles
Contact Material	Silver Alloy	Silver Alloy
Panel Thickness	1 ~ 10mm	1 ~ 10mm
Torque	5 ~ 14Nm	5 ~ 14Nm
Operation Pressure	5.5N	5.5N
IP Degree	IP65	IP65
Material	Button	Stainless Steel
	Body	Stainless Steel
	Base	PBT
	RoHS	Made to order
LED Spec.	Type	Dot Illuminated(LED)
	Rated Voltage	6V / 12V / 24V / 110V / 220V
	Color	R G Y O B W
	Life	40,000 hours

ANTI-VANDAL PUSHBUTTONS

PUSHBUTTONS



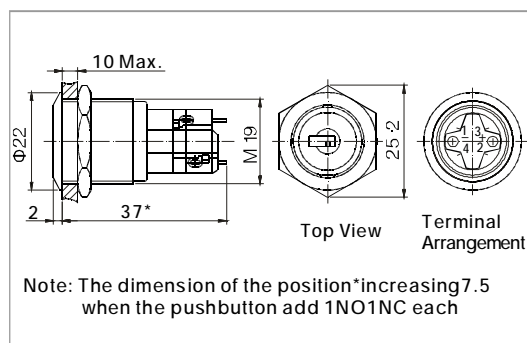
- ⊙ Φ 19mm diameter
- ⊙ 5A/250VAC
- ⊙ 1NO1NC
- ⊙ Front Shape: Flat Round
- ⊙ Crust material: Stainless Steel
- ⊙ IP Degree: IP65



KEY SWITCHES



- ⊙ Φ 19mm diameter
- ⊙ 5A/250VAC
- ⊙ 1NO1NC/2NO2NC
- ⊙ Two position remain
- ⊙ Crust material: Stainless Steel
- ⊙ IP Degree: IP40



Specification	LAS1GQ-11□	LAS1GQ-□□Y
The Front Shape	Flat Round	Round
Terminal Type	Pin Terminal(2.8×0.5mm)	Pin Terminal
Switching	No.2	No.2
Max. Switch Rating	5A/250VAC	5A/250VAC
Contact Resistance	≤ 50mΩ	≤ 50mΩ
Insulation Resistance	≥ 1000MΩ	≥ 1000MΩ
Dielectric Strength	2000VAC	2000VAC
Operation Temp.	-20°C ~ +70°C	-20°C ~ +70°C
Mechanical Life	1,000,000cycles	1,000,000cycles
Electrical Life	50,000 cycles	50,000 cycles
Contact Material	Silver Alloy	Silver Alloy
Panel Thickness	1 ~ 10mm	1 ~ 10mm
Torque	5 ~ 14Nm	5 ~ 14Nm
Operation Pressure	3 ~ 8N	3 ~ 8N
IP Degree	IP65	IP40
Material	Button	Stainless Steel
	Body	Stainless Steel
	Base	PBT
RoHS	Made to order	Made to order