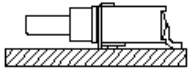


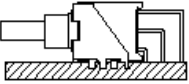
SPECIFICATIONS:

CONTACT RATING: Refer to "Contact Material Options".
 ELECTRICAL LIFE: 30,000 make-and-break cycles at full load.
 CONTACT RESISTANCE: 20mΩ max. Initial @2-4VDC, 100mA
 INSULATION RESISTANCE: 1,000mΩ min.
 DIELECTRIC STRENGTH: 1,500V RMS min. @sea level.
 OPERATING TEMPERATURE: -30°C to 85°C.



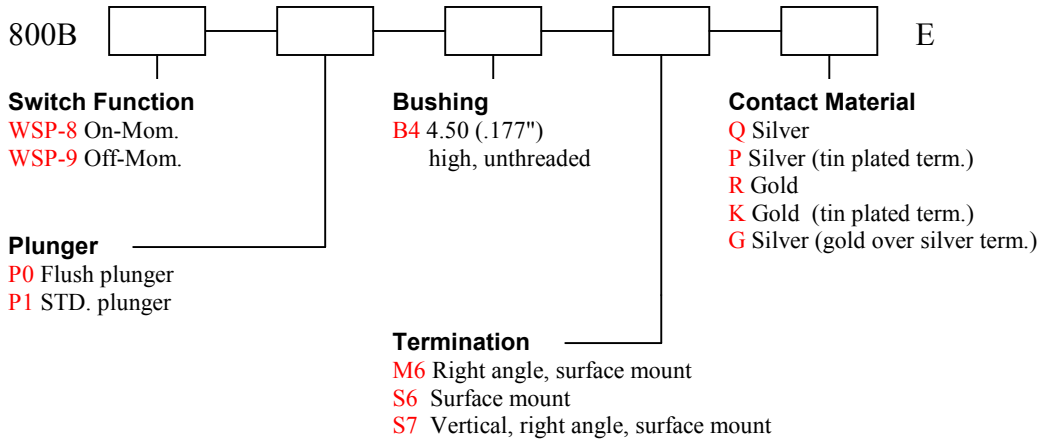
MATERIALS:

CASE & BUSHING: Glass filled nylon 4/6, flame retardant, heat stabilized(UL 94V-0).
 PLUNGER: Nylon 4/6 (UL 94V-0), with internal o-ring sealed.
 SURFACE PLATE: Brass, tin plated.
 TERMINAL SEAL: Epoxy.



If your preferred product configuration is not shown, please contact our sales representative for custom design.

HOW TO ORDER SYSTEM



Series 800B

Sealed Surface Mount Pushbutton Switches

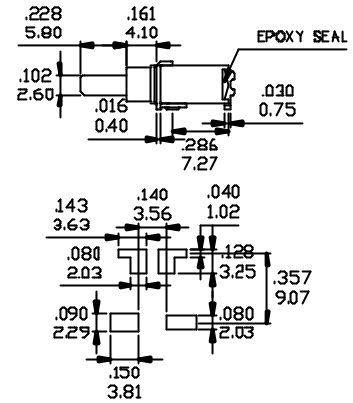
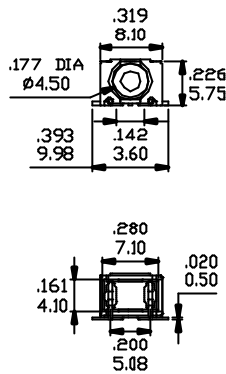
M6

Model No.	Type	
WSP-9	OFF	MOM

Schematic



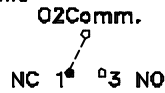
SPST



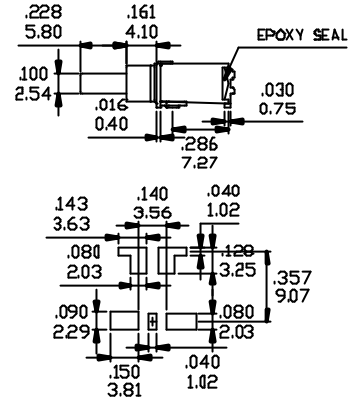
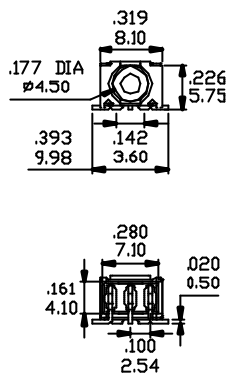
M6

Model No.	Type	
WSP-8	ON	MOM
Term. Comm.	2-1	2-3

Schematic



SPDT



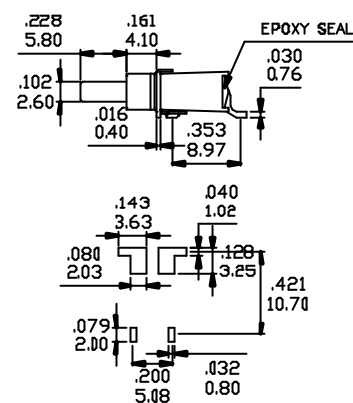
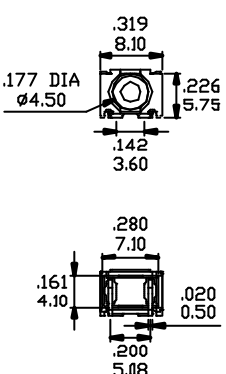
S6

Model No.	Type	
WSP-9	OFF	MOM

Schematic



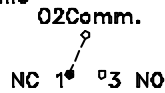
SPST



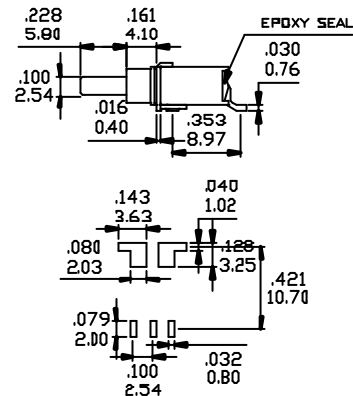
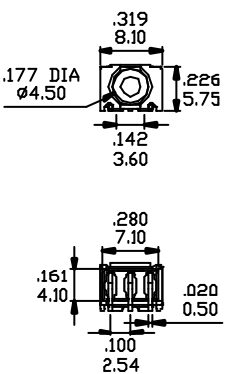
S6

Model No.	Type	
WSP-8	ON	MOM
Term. Comm.	2-1	2-3

Schematic



SPDT



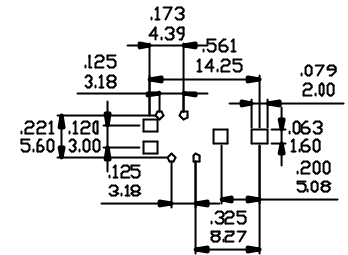
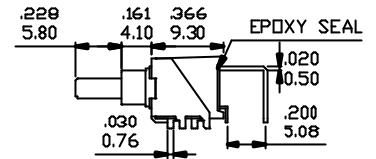
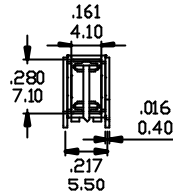
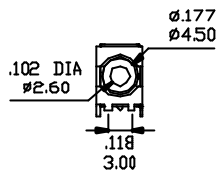
Series 800B

Sealed Surface Mount Pushbutton Switches

M7

Model No.	Type	
WSP-9	OFF	MOM

Schematic

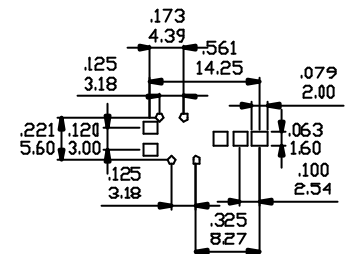
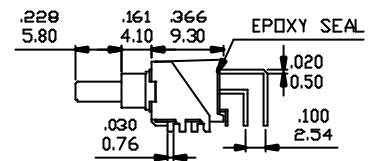
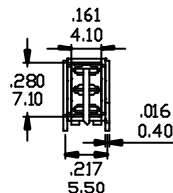
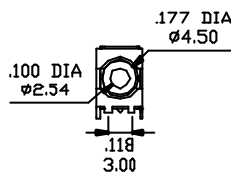
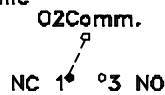


SPST

M7

Model No.	Type	
WSP-8	ON	MOM
Term. Comm.	2-1	2-3

Schematic

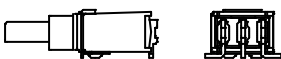


SPDT

TERMINATION OPTIONS

M6

WSP8



WSP9



S6

WSP8



WSP9



M7

WSP8



WSP9

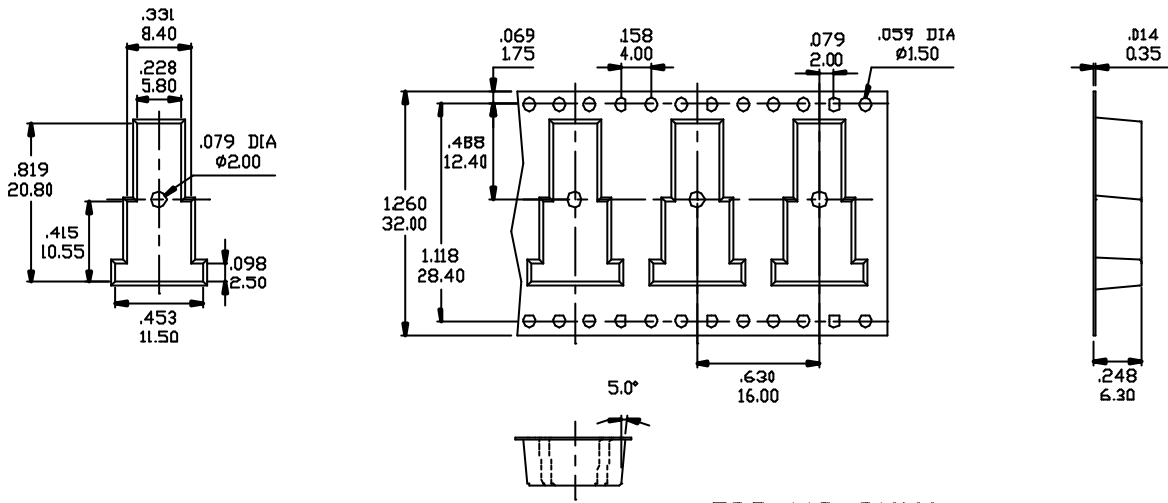


MOM=MENTORY

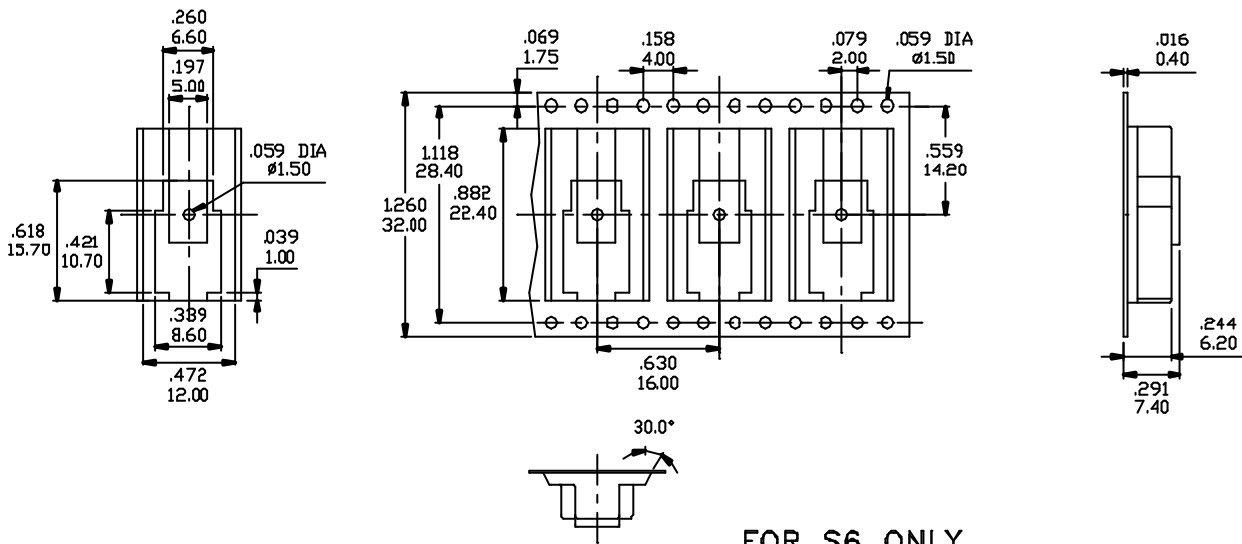
Series 800B

Sealed Surface Mount Pushbutton Switches

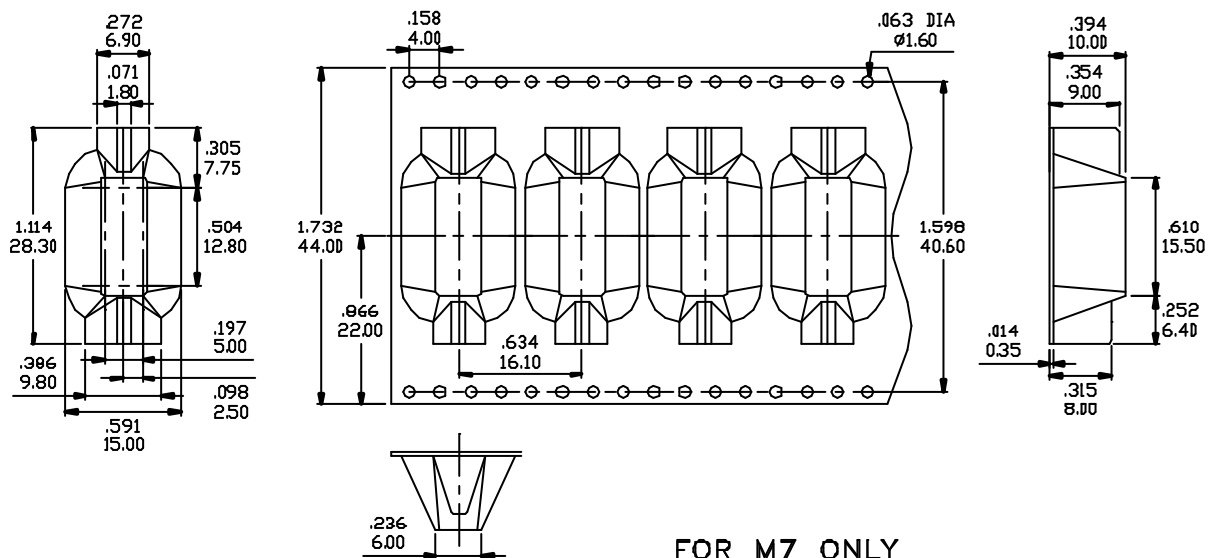
REEL TAPING



FOR M6 ONLY



FOR S6 ONLY



FOR M7 ONLY

REEL TAPING

REEL INFORMATION	
OUTSIDE DIAMETER	330mm(12.99")
PILOT HOLE	13mm(.502")
QUANTITY PER REEL	500

CONTACT MATERIAL OPTIONS

Coding	Contact Material	Terminal Plating	Rating	Agency Approvals
Q	Silver ¹	Silver plated ¹	1Amps @ 125VAC or 28VDC	IP67
P		Tin plated ⁵		
R	Gold ²	Gold plated ⁴	0.4VA max @ 20V max (AC or DC)	IP67
K		Tin plated ⁵		
G	Silver ¹	Gold over ³ silver	1Amps @ 125VAC or 28VDC	IP67

1. Movable Contact / Terminals: Copper alloy, silver plated.
2. Movable Contact: Copper alloy with gold plated over nickel plated.
3. Terminals: Silver plated with outer layer in gold plating.
4. Terminals: Copper alloy, with gold plated over nickel plated.
5. Outer Terminals: Copper alloy with tin over nickel plated.
6. Terminal Contact: Gold plated over nickel plated.
7. Terminal Contact: Palladium nickel alloy plated.