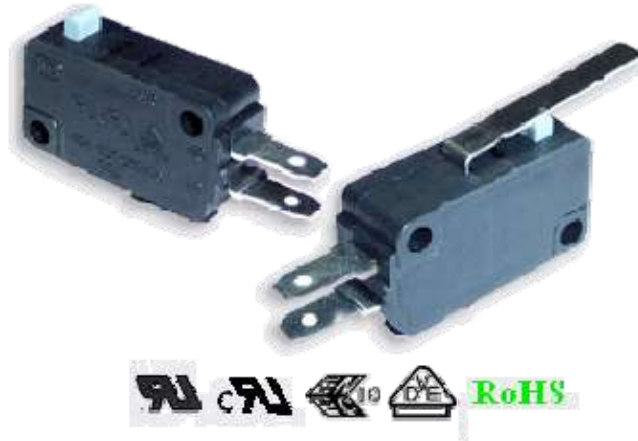


VMS Series Switch (Sub-Miniature Snap-Action Switches)

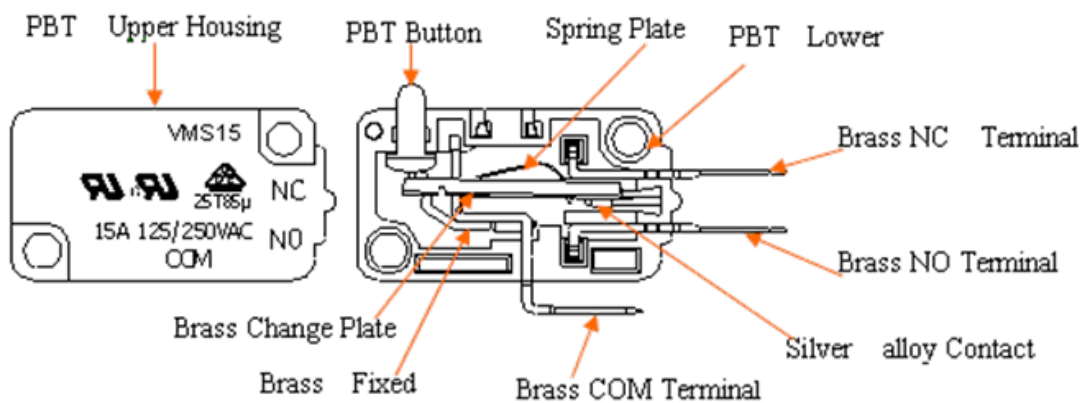


Features :

Mechanical life : min.1x10⁶ cycles

Good feeling and more actuators and more terminals are applied

Materials :



Upper Housing : High Temperature PBT (UL94 V-0)

Lower Housing : High Temperature PBT (UL94 V-0)

Actuating Button : High Temperature PBT (UL94 V-0)

Fixed Rod : Brass

Chang Plate : Brass (Plating silver)

NC、NO、COM Terminals : Brass (Plating silver)

Contacts : Silver Alloy or plating Gold

Spring Plate : Bronze

Auxiliary Actuator : Stainless Steel

Specification :

Mechanical life : 1,000,000 cycles min

Contact Rating :

15 Amps @ 125 / 250 VAC ; CUL, UL 10,000 cycles ; VDE 50,000 cycles

10 Amps @ 125 / 250 VAC ; CUL, UL 10,000 cycles ; VDE 50,000 cycles

Insulation Resistance : > 100MΩ DC500V

Withstand Voltage : AC1500V 1 minute

Contact Resistance : < 100mΩ

Operating Temper. : -25°C to 85°C

Operating Force : See Chart

Hand Soldering. : Use a soldering iron of 30 watts, controlled at 380°C approximately 3 seconds while applying solder

How To Order :



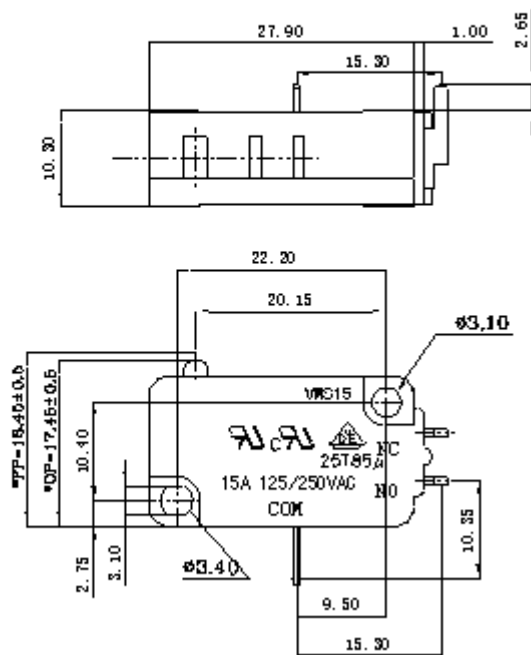
EXAMPLE: VMS15-00K-150-V-5; VMS10-00N-250-V10

Actuator And Operating Force Chart :

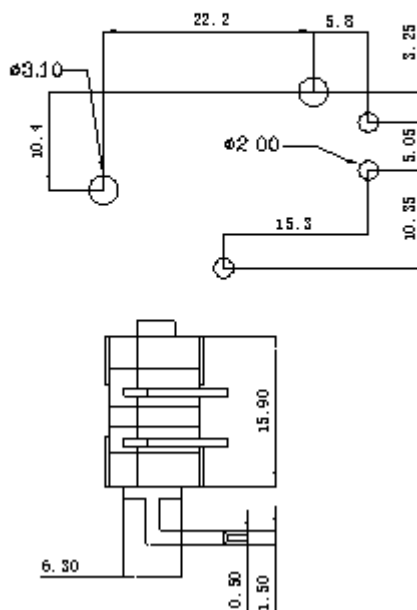
ACTUATOR	OPERATING FORCE (gf)			FP(mm)	OP(mm)	REMARK
00 (NO LEVER)	100±30	160±40	250±50	18.35±0.5	17.45±0.5	
01	100±30	160±40	250±50	19.05±0.5	18.05±0.5	
02	45±20	75±25	120±40	20.75±0.8	18.25±0.8	
03	25±10	40±15	60±25	22.55±2.0	18.05±2.0	
04	50±20	85±30	140±40	23.95±1.5	21.75±1.5	
05	100±30	160±40	250±50	24.45±0.8	23.45±0.8	

Terminal Options mm(Inches) :

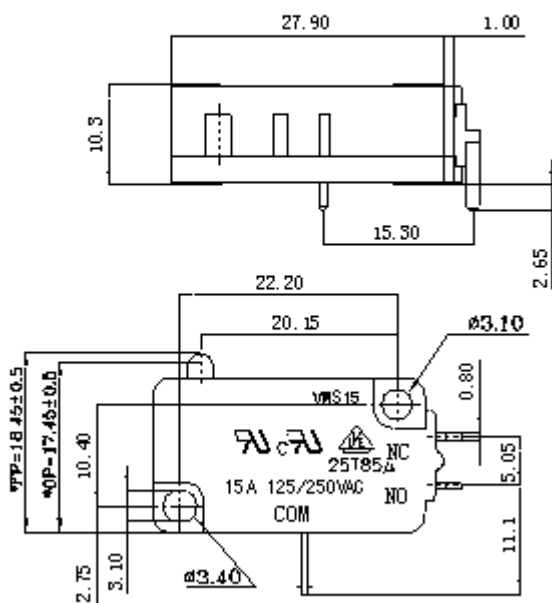
PCB Terminals "L" Side



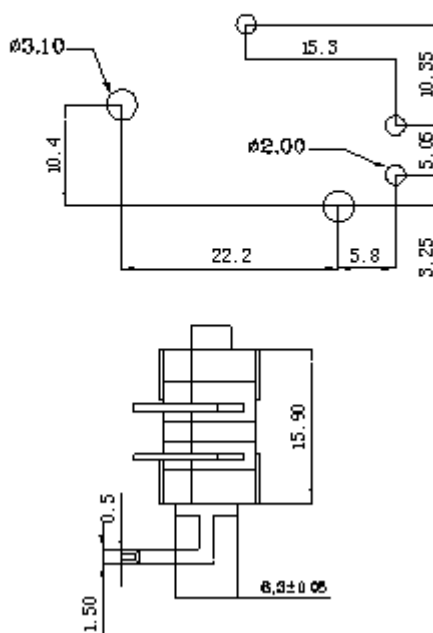
P. C. MOUNTING



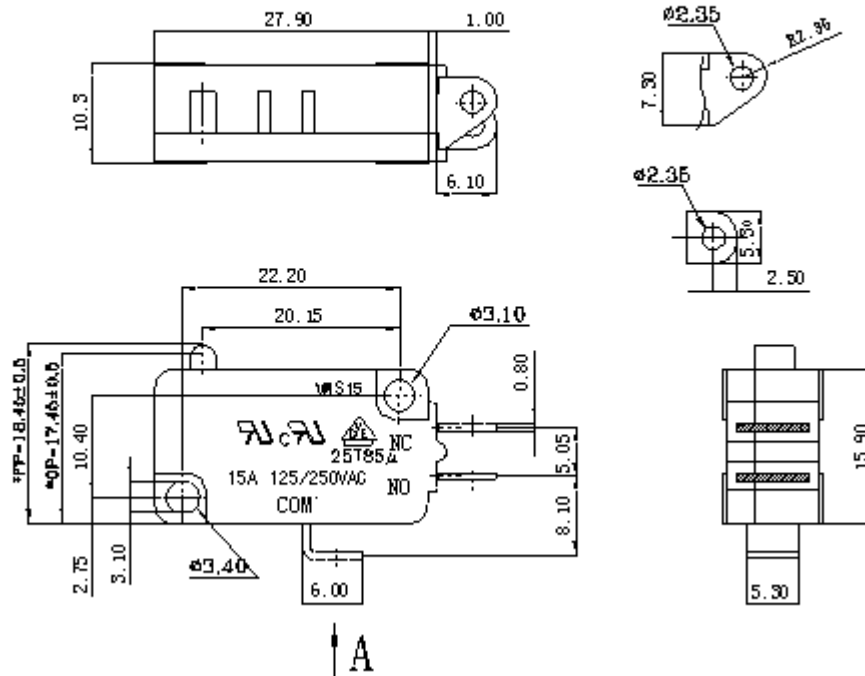
PCB Terminals "J" Side



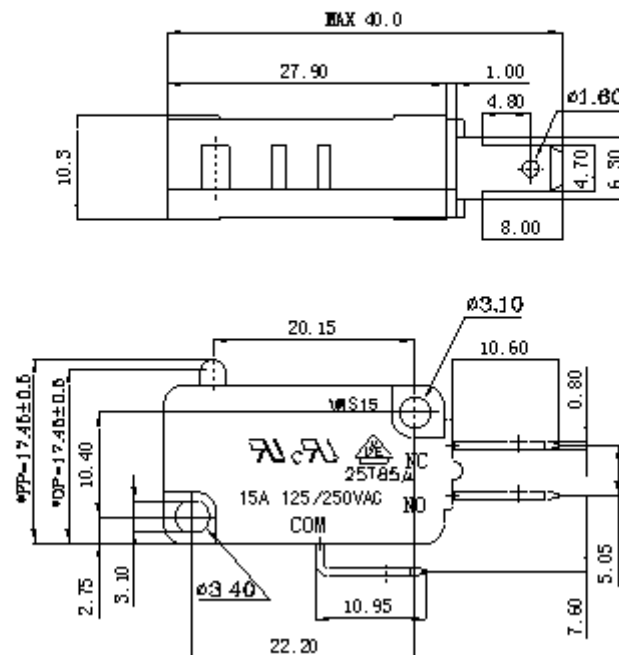
P. C. MOUNTING



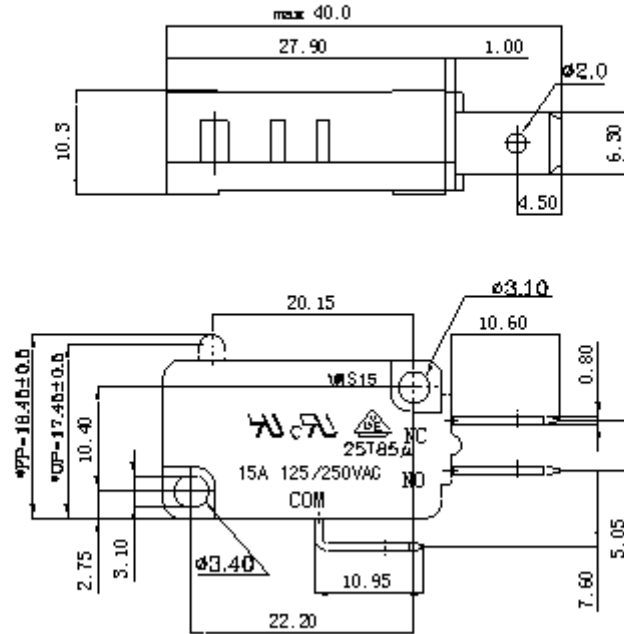
"A" Type Terminals



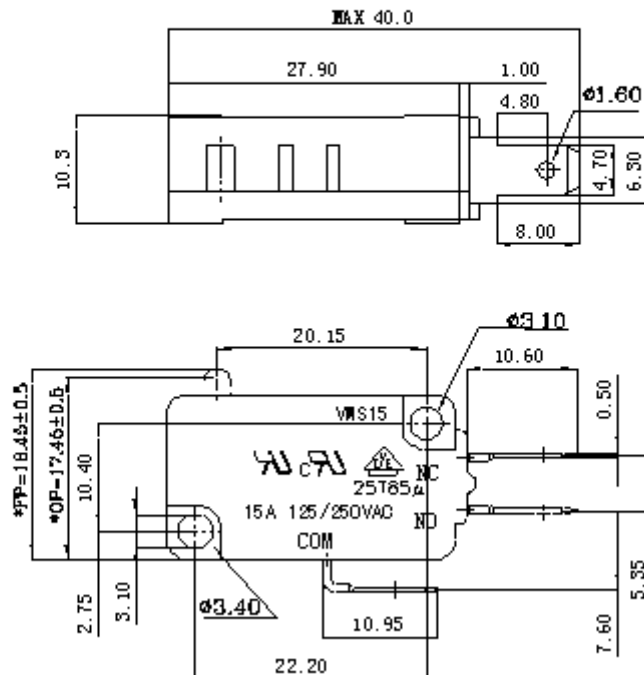
"M" Type Terminals



"K" Type Terminals

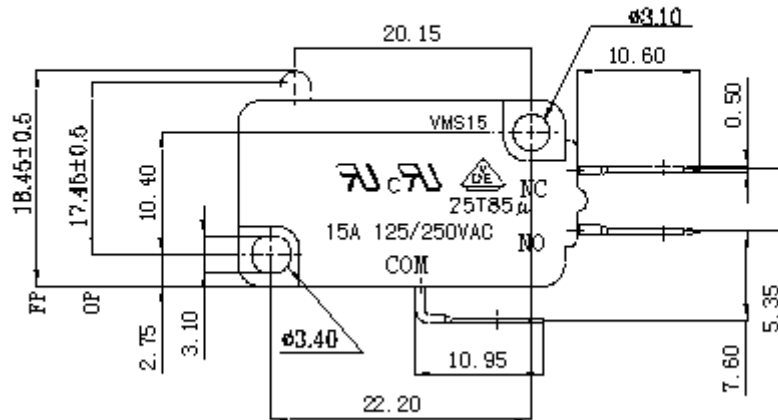


"N" Type Terminals

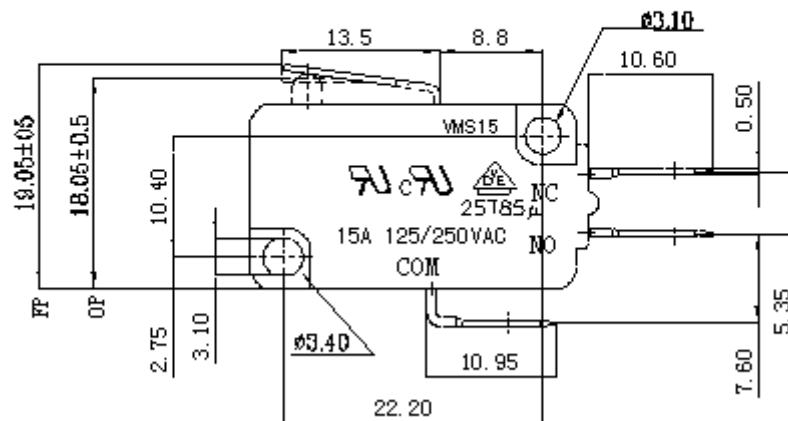


Actuator Specifications (mm) :

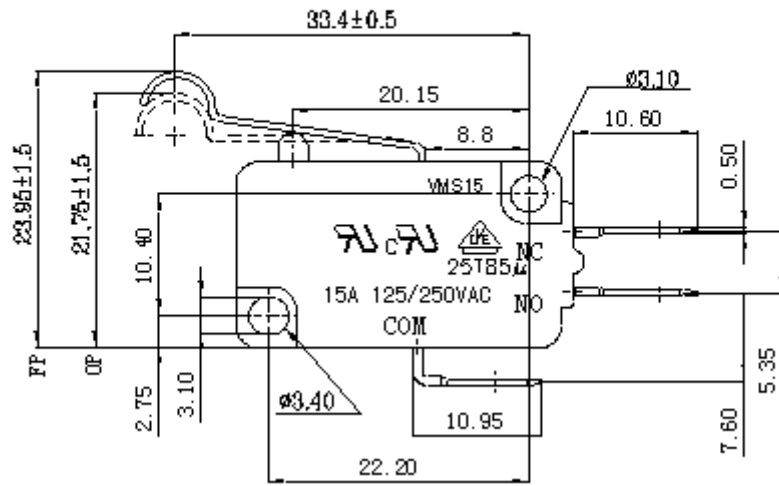
00



01



04



05

