

**MS5 Series Pump Switch
(Sub-Miniature Snap-Action pump Switches)**

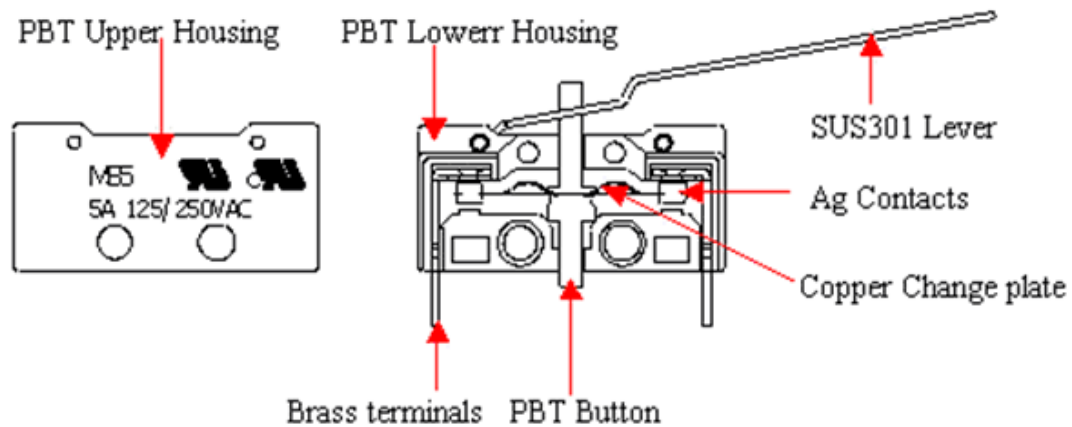


Features :

Mechanical life : min. 100,000 cycles

Good feeling and more actuators and more terminals are applied

Materials :



Upper Housing : High Temperature PBT (UL94 V-0)

Lower Housing : High Temperature PBT (UL94 V-0)

Actuating Button : High Temperature PBT (UL94 V-0)

Change Plate : copper

Terminals : Brass (Plating silver)

Contacts : Ag

lever : SUS301

Auxiliary Actuator : Stainless Steel

Specification :

Mechanical life : 100,000 cycles min

Contact Rating: 5Amps @ 125/250 VAC ; CUL, UL 10,000 cycles

Insulation Resistance : > 100M Ω DC500V

Withstand Voltage : AC1,000V 1 minute

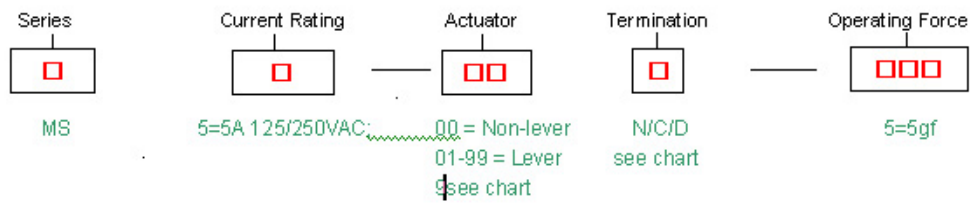
Contact Resistance : < 50m Ω

Operating Temper. : -25 $^{\circ}$ C to 80 $^{\circ}$ C

Operating Force : 5 \pm 2 gf

Hand Soldering. : Use a soldering iron of 30 watts , controlled at 380 $^{\circ}$ C approximately 3 seconds while applying solder

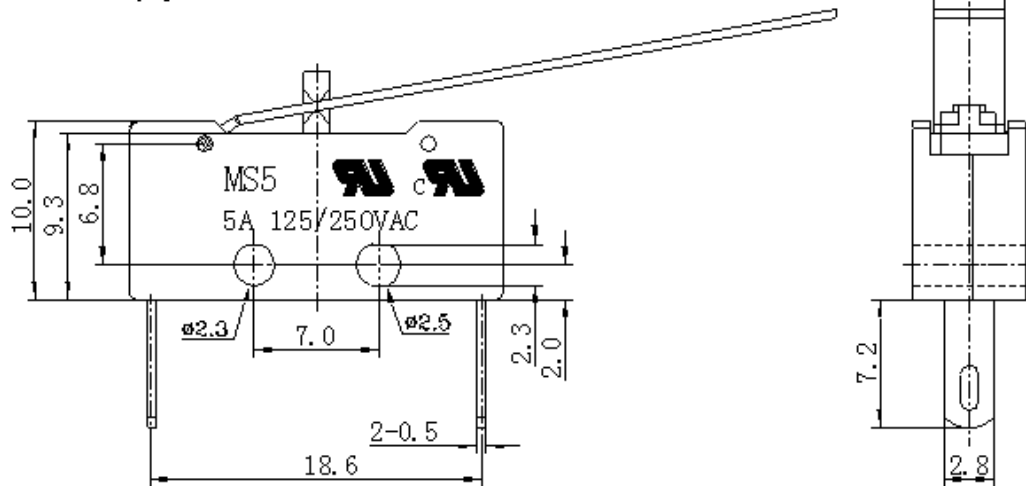
How To Order :



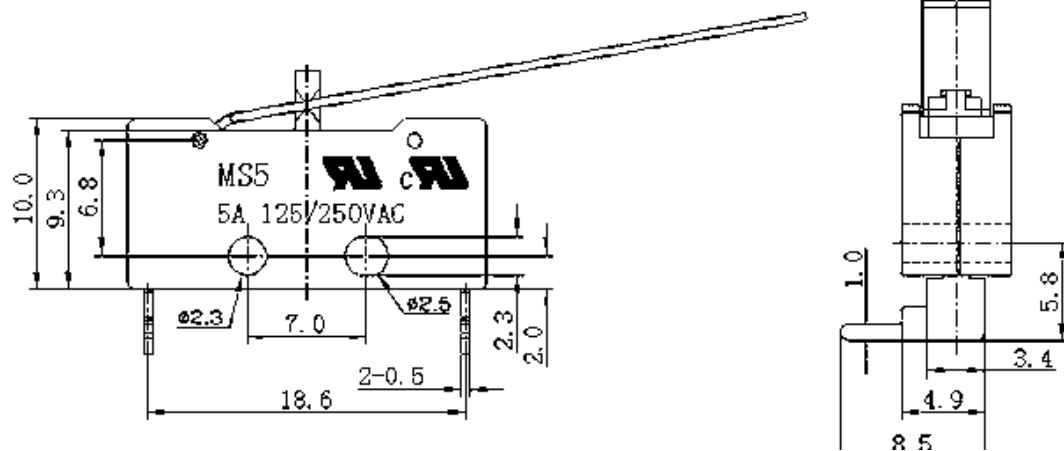
EXAMPLE: MS5-01 C-5; MS5-01 D-5; MS5-01 N-5

Terminal Options (mm) :

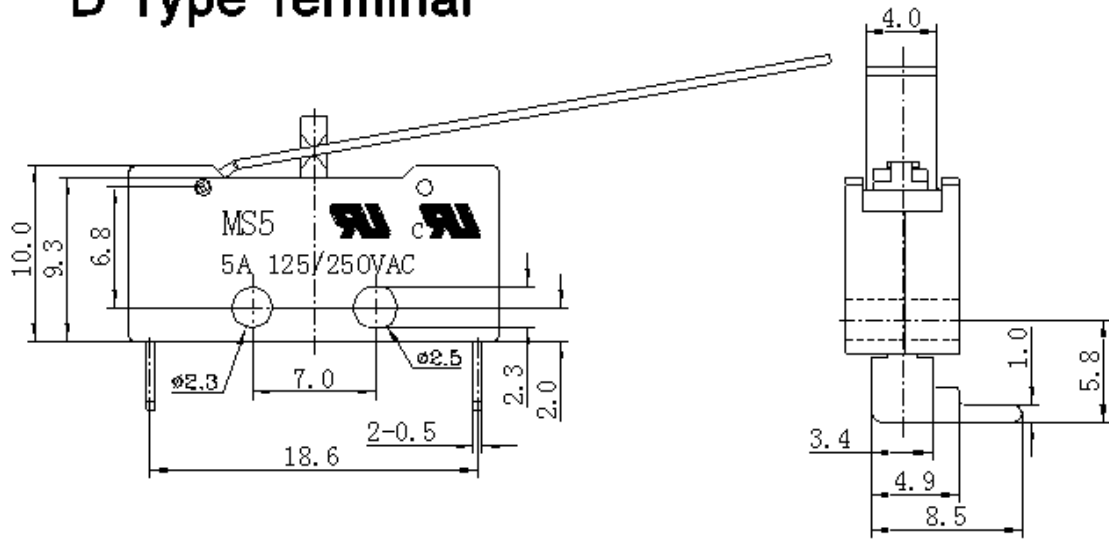
“N” Type Terminal



“C” Type Terminal

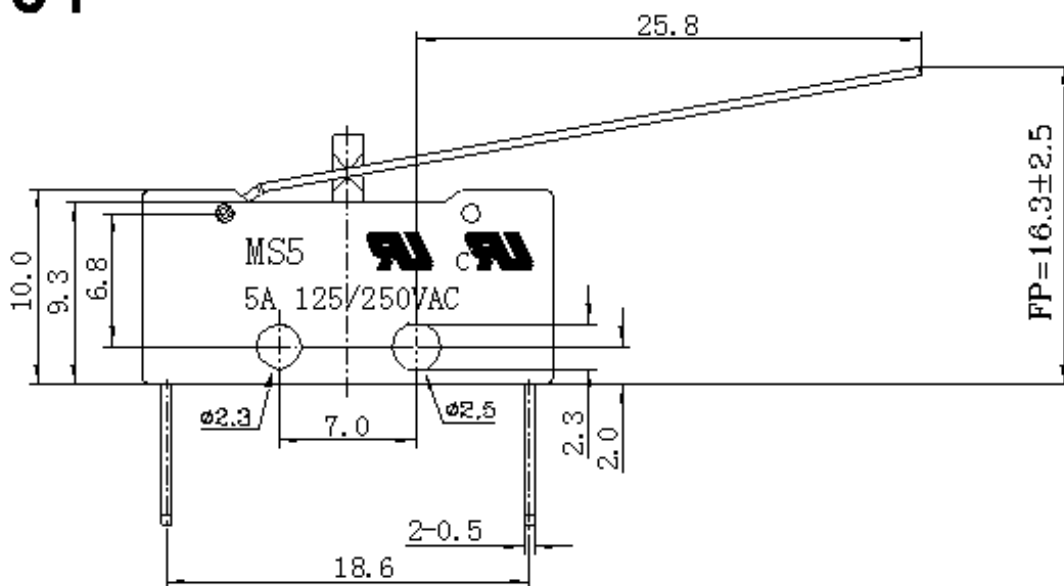


“D”Type Terminal

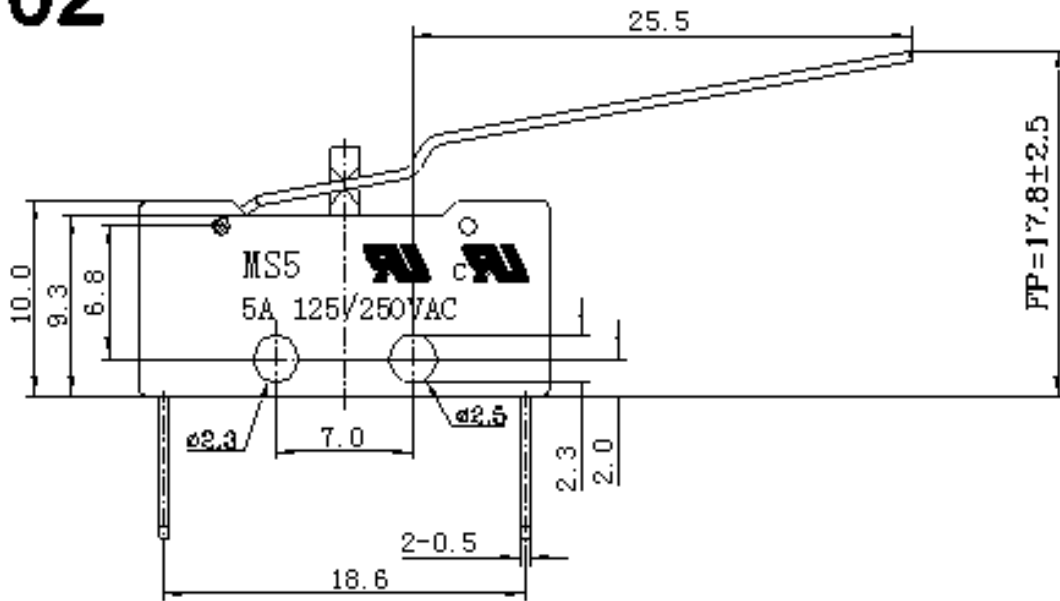


Actuator Specifications (mm) :

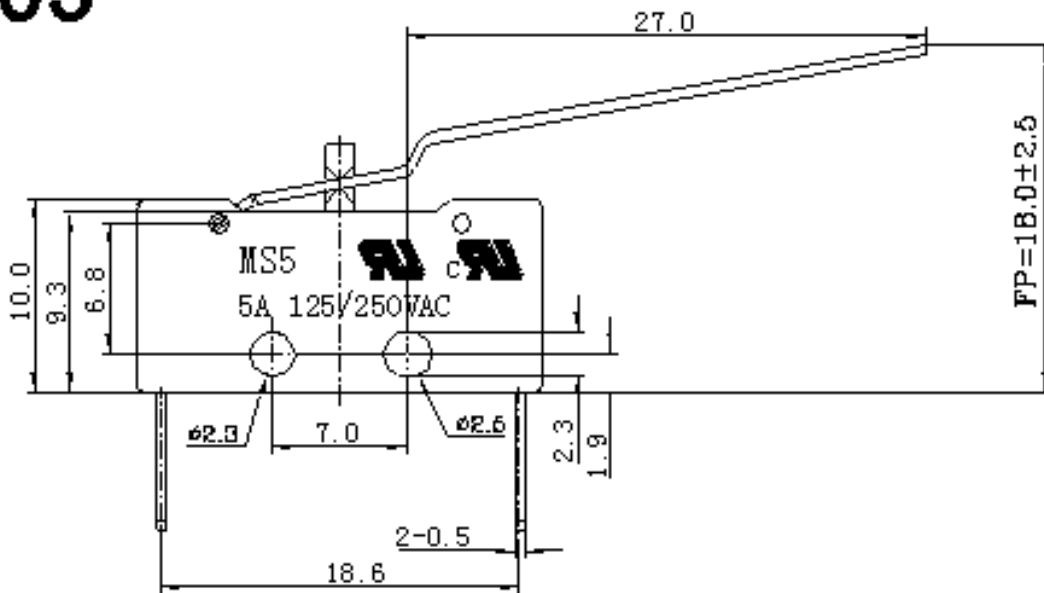
01



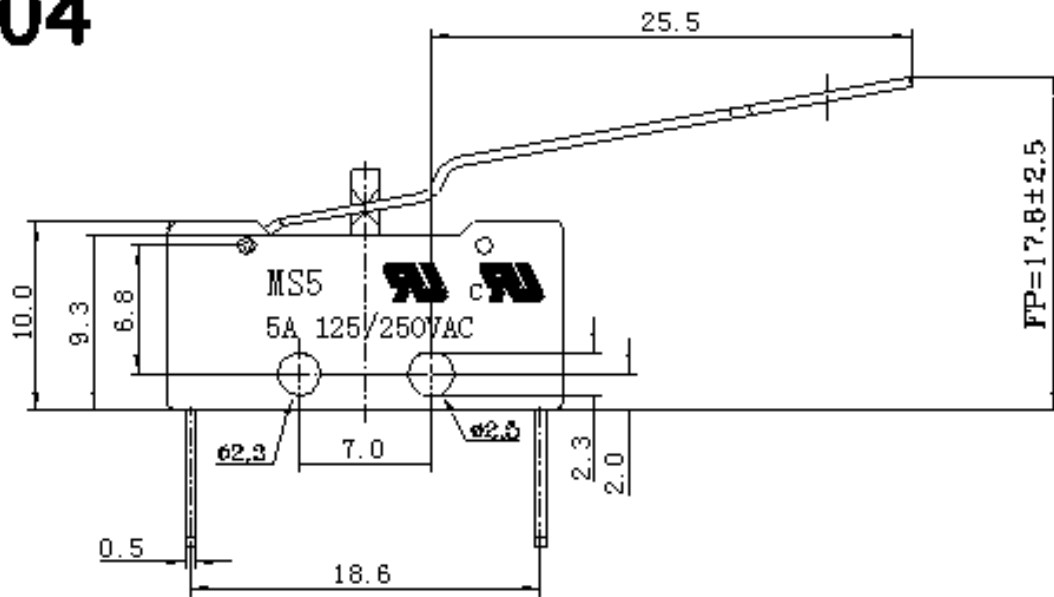
02



03



04



05

