

## DM Series Switch (Sub-Miniature Snap-Action Switches)



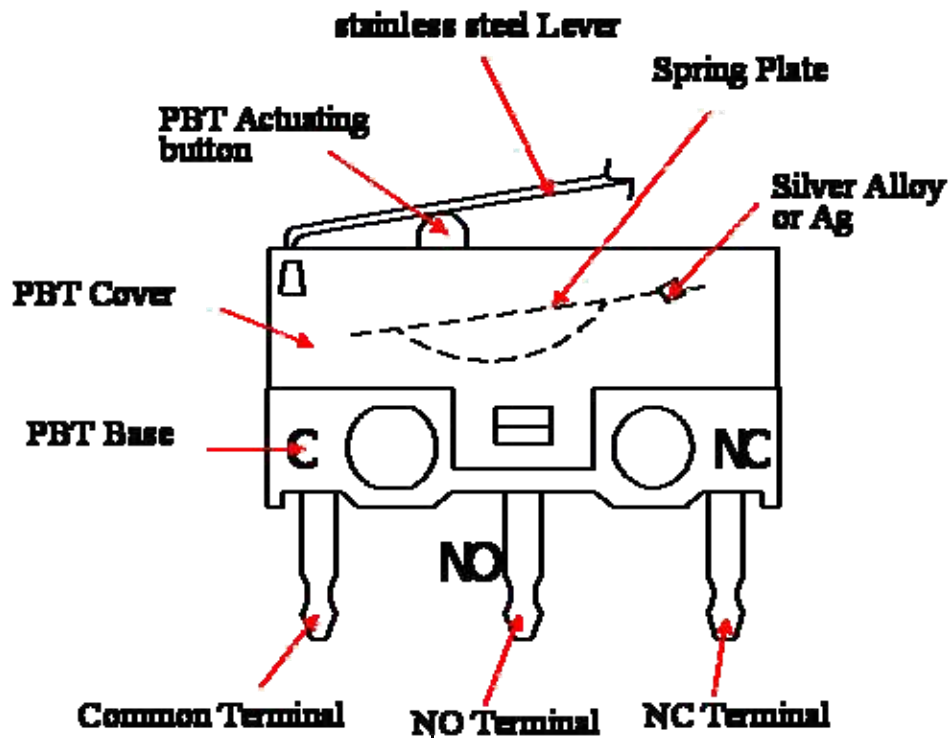
### Features :

Small dimensions, just 12.8 x 5.8 x 6.5mm (0.504"x0.228"x0.256")

Mechanical life : min. 5 x 10 cycles

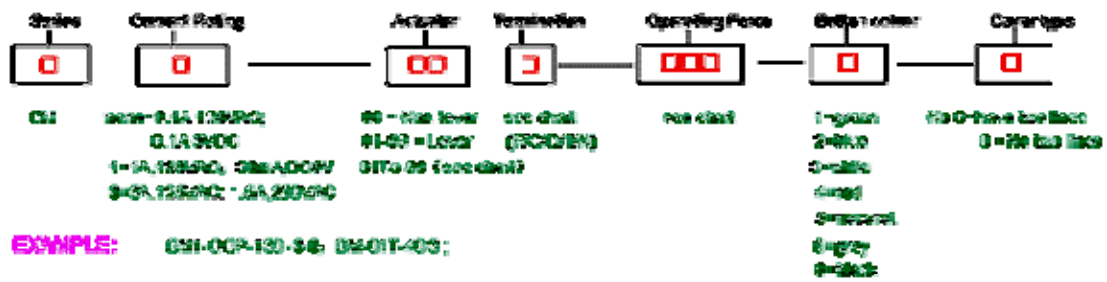
Good feeling and more actuators are applied

### Materials :



- Switch cover : High Temperature PBT(UL94 V-0)
- Switch Base : High Temperature PBT(UL94 V-0)
- Actuating Button : High Temperature PBT(UL94 V-0)
- Terminals : Brass(Plating silver)
- Contacts : Ag or Silver Alloy or plating Gold
- Spring Plate : Be Cu Alloy
- Auxiliary Actuator : Stainless Steel

### How To Order :

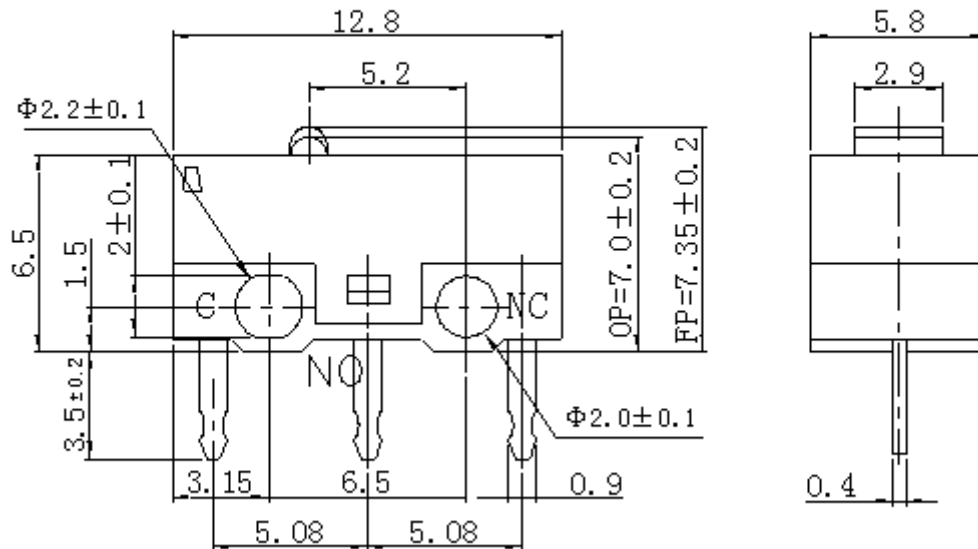


### Actuator And Operating Force Chart :

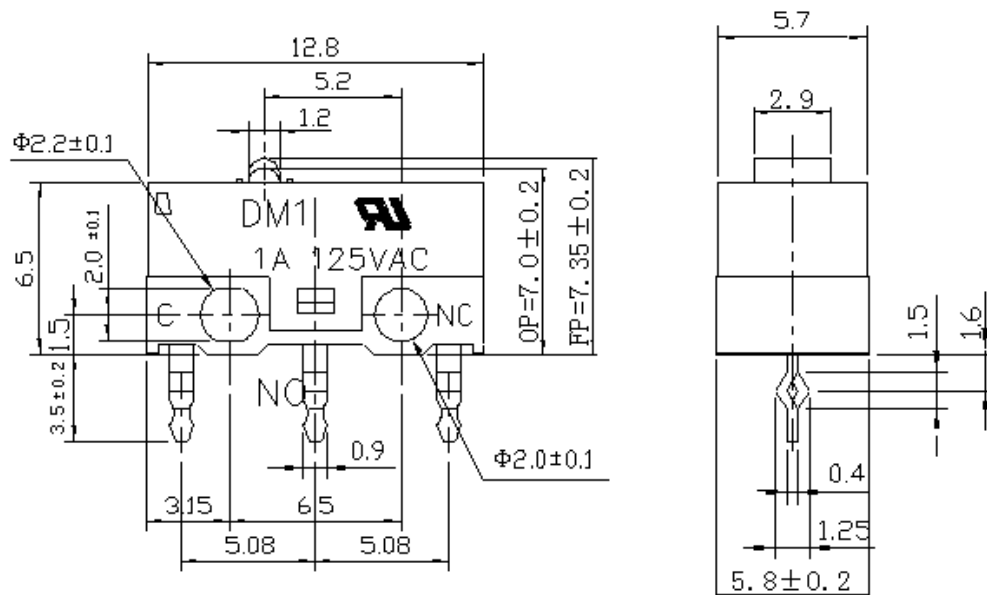
ACTUATOR	OPERATING FORCE /RETURN FORCE(gf)				FP(mm)	OP(mm)	REMARK
00	70/25	90/40	110/50	130/60	7.35 ± 0.2	7.0 ± 0.2	
01	20/5	30/10	35/10	40/15	10.4 ± 0.8	8.8 ± 0.8	
02	15/5	25/10	30/10	35/10	12.8 ± 0.8	10.8 ± 0.8	
03	10/5	20/10	25/10	30/10	12.0 ± 0.8	9.5 ± 0.8	
13	20/5	30/10	35/15	40/15	14.8 ± 0.8	13.8 ± 0.8	
43	15/5	25/10	30/10	35/10	12.0 ± 0.8	10.3 ± 0.8	

Terminal Options mm(Inches) :

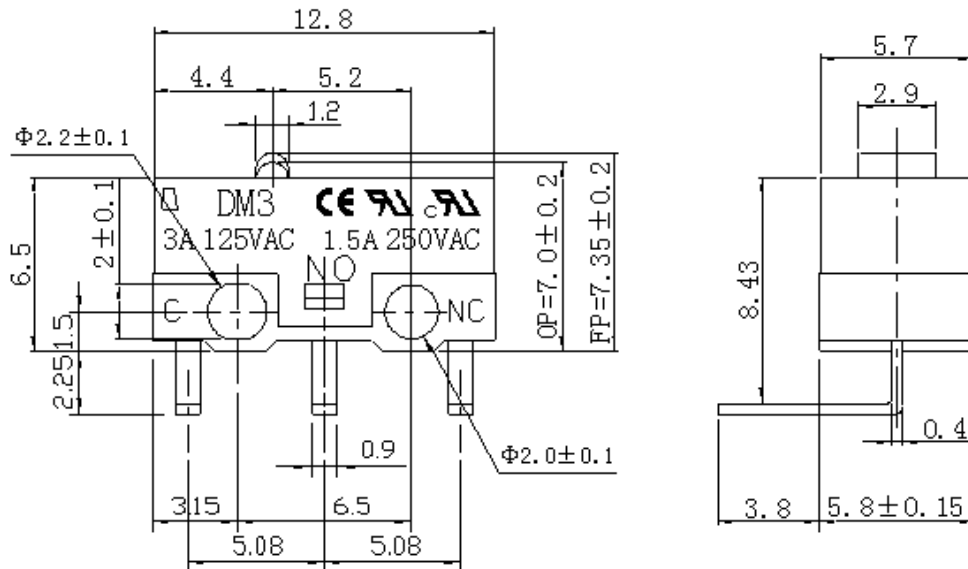
## PCB Terminals "P" Side



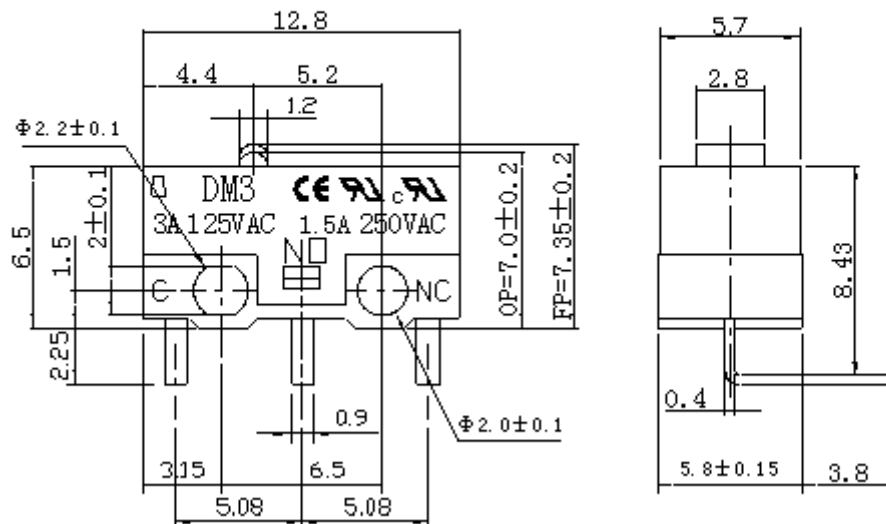
## PCB Terminals "T" Side



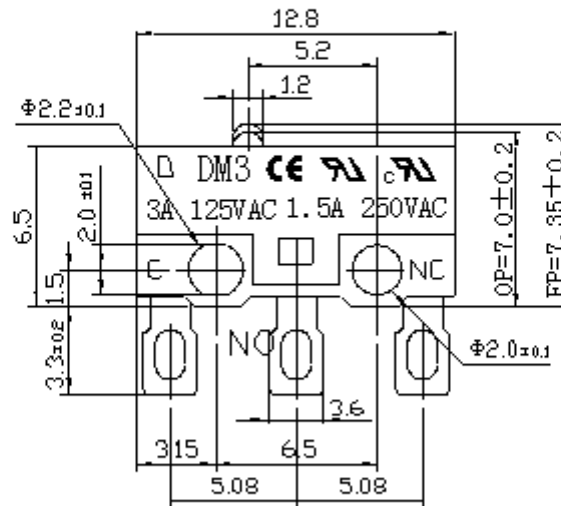
## PCB Terminals " C " Side



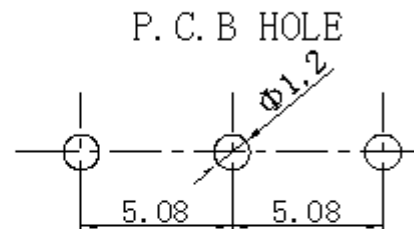
## PCB Terminals " D " Side



## “ N ” Type Terminals



## Drilling Pattern



SCHEMATIC

