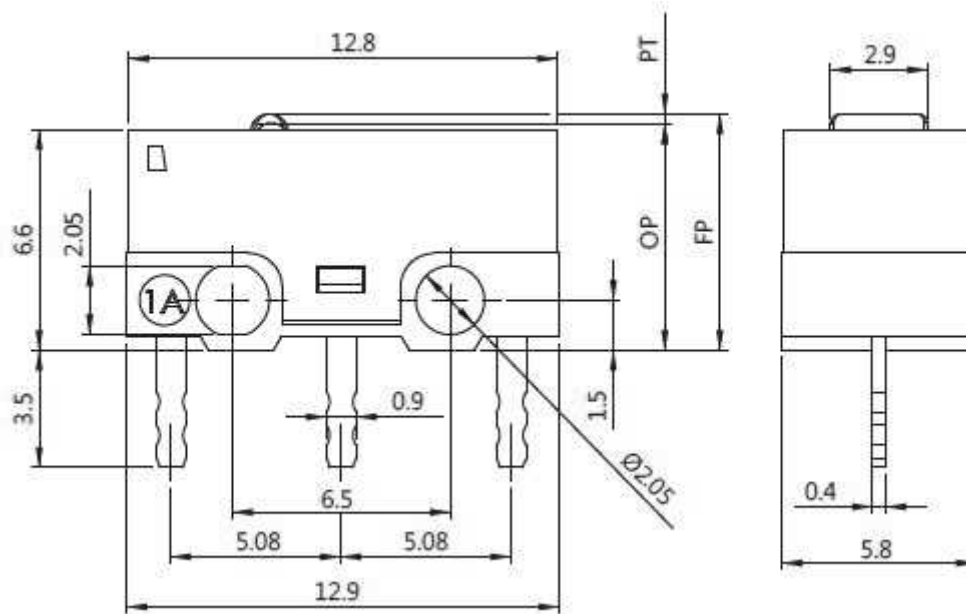


DF3 Series 《Micro Switches》



Specifications :

Ratings : 5A 125 / 250VAC

Dimension : Unless otherwise specified, a tolerance of ± 0.4 mm applies to all dimensions.

Operating Frequency (mechanical).....120 operations / min

Operating Frequency (electrical).....3A~5A-10~30 operations / min

Contact Resistance (initial).....100m Ω (Max.)

Insulation Resistance (at 500VDC).....100M Ω (Min.)

Dielectric Strength (50-60Hz).....1500VAC RMS

Service Life (mechanical).....Min. 5000000 operations

Service Life (electrical).....3A~5A-Min. 10000 operations

Application : Mouses, Joysticks, Small home appliances, Central heating control

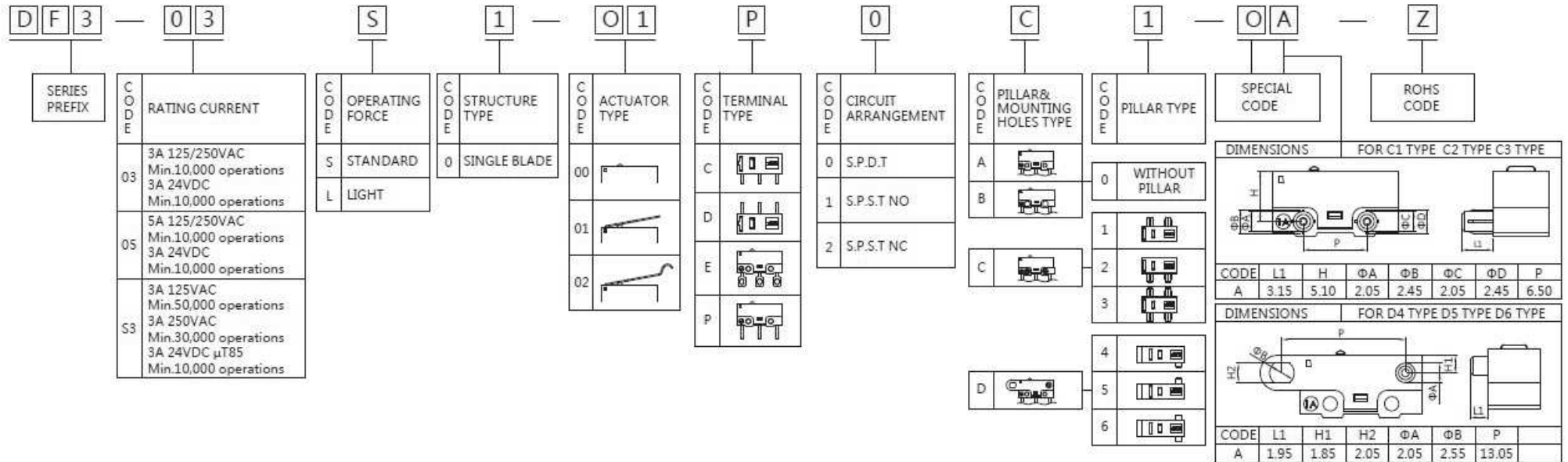
Contact Configuration :



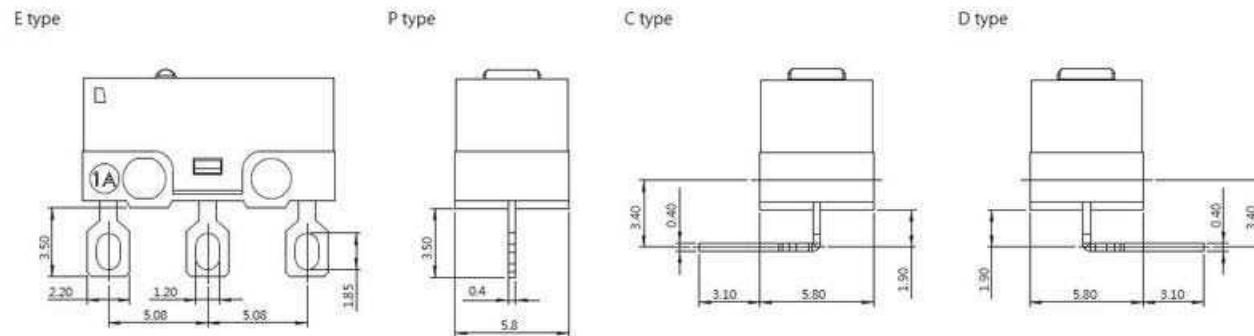
Operating Characteristics :

SWITCH TYPE	PART SUFFIX	OF Max. (gf)		OP (mm)	PT Max. (mm)	OT Min. (mm)	MD Max. (mm)	FP Max. (mm)	RF Min. (gf)
		L	S						
DF3-□□□-0□-Z		L	80	7.0±0.2	0.5	0.2	0.12	7.50	21
		S	150						35
DF3-□□□-1□-Z		L	30	8.2±0.8	3.4	0.6	0.8	10.1	5
		S	56						8
DF3-□□□-2□-Z		L	25	10.2±0.8	3.5	0.7	0.92	14.2	5
		S	43						7
DF3-□□□-3□-Z		L	35	7.9±0.5	2.1	0.3	0.4	9.3	5
		S	57						12
DF3-□□□-4□-Z		L	36	8.0±0.6	2.5	0.5	0.7	10.8	6
		S	60						10
DF3-□□□-5□-Z		L	50	9.2±0.6	1.64	0.49	0.3	10.15	7
		S	75						11
DF3-□□□-6□-Z		L	30	8.33±0.9	3.5	0.6	0.8	10.6	5
		S	50						8
DF3-□□□-7□-Z		L	27	10.75±0.9	3.5	0.3	0.8	13.5	3
		S	48						8
DF3-□□□-8□-Z		L	33	8.15±0.7	2.8	0.6	0.7	11.2	5
		S	54						9
DF3-□□□-9□-Z		L	13	9.5±1.7	6.9	0.55	1.9	16.8	2
		S	21						3

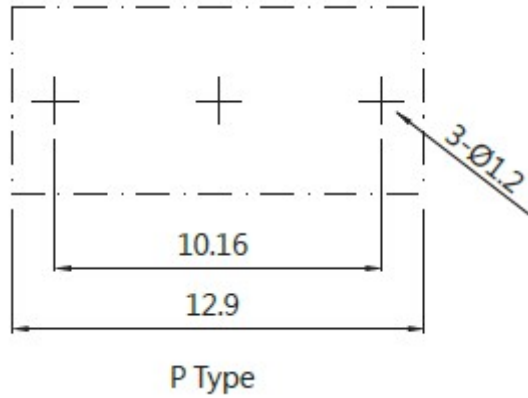
Ordering Information :



Terminal Types :



Mounting Holes :



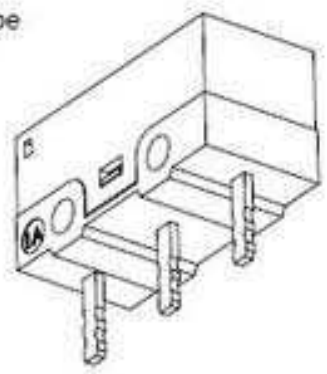
The Selection of Rating & Force :

Model	Rating	L	S
DF3	3A	*	*
	5A	*	*

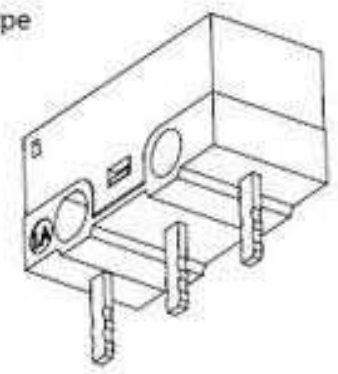
NOTE : The Symbol " * " to represent the result is accepted

Pillar Pitch :

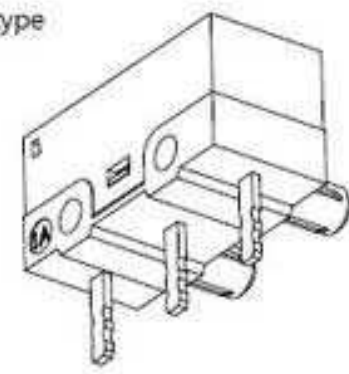
A0 type



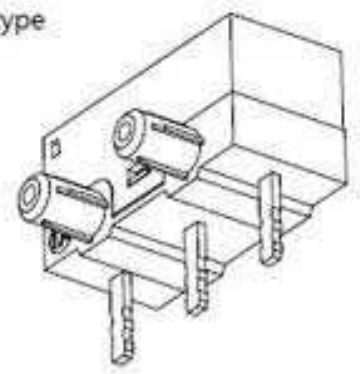
B0 type



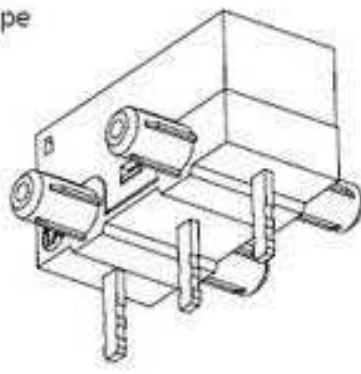
C1 type



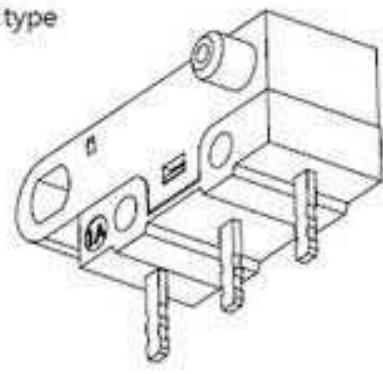
C2 type



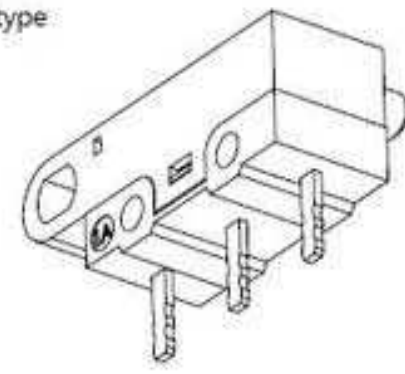
C3 type



D4 type



D5 type



D6 type

