

**Note:**

1. Unless otherwise specified dimensions are in mm tolerance

Decimals                      angular  
 $X \pm 0.2$                        $\pm 2^\circ$   
 $XX \pm 0.04$

2. Do not scale drawing

3. Time-current characteristics See Table 1

4. Fuse-link colour coding See Table 2

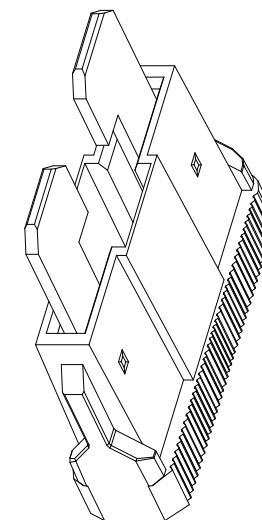
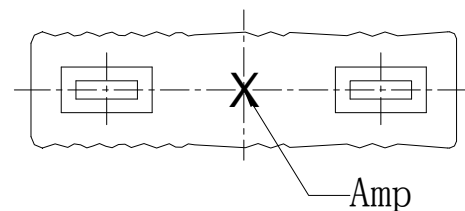
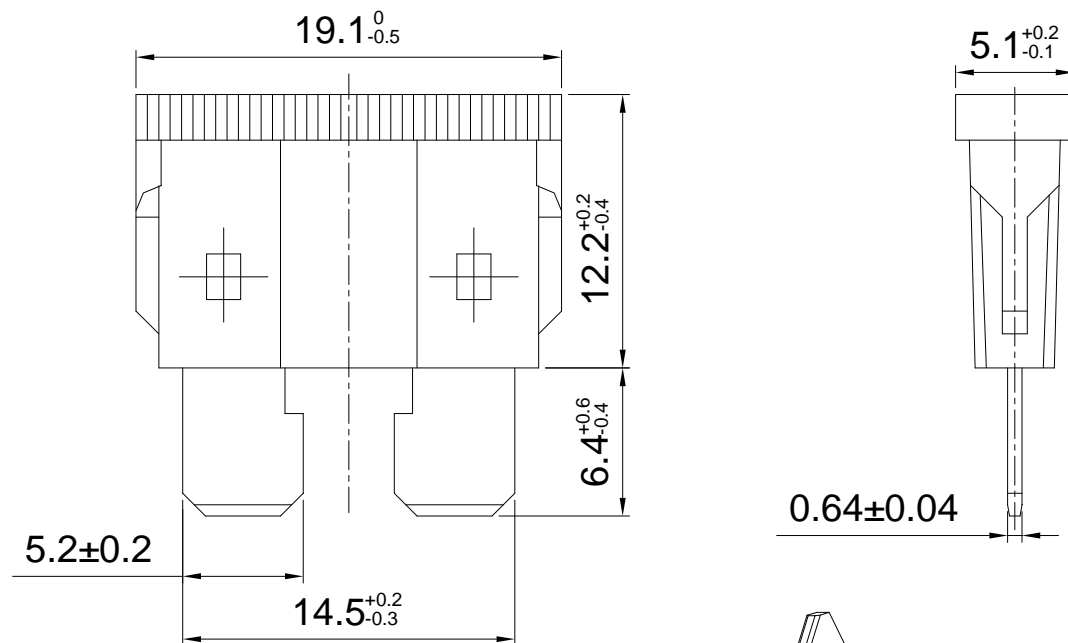
5. Meets SAE J1284/ISO 8820-3

**Table 1—Time-Current Characteristics**

Test Current	Opening Time	
	Min.	Max.
110%	100hrs.	---
135%	0.75s	600s
200%	0.15s	5s
350%	0.04s	0.5s
600%	0.02s	0.1s

**Table 2—Fuse-link colour coding**

ITEM & AMP.	COLOR	ITEM & AMP.	COLOR
ATS 2 A	Gray	ATS 15 A	Blue
ATS 3 A	Violet	ATS 20 A	Yellow
ATS 4 A	Pink	ATS 25 A	Clear
ATS 5 A	Tan	ATS 30 A	Green
ATS 7.5 A	Brown	ATS 35 A	Purple
ATS 10 A	Red	ATS 40 A	Amber



- MATERIALS :1、 ZINC ALLOY STRIP.  
2、 PC RESIN**
- VOLTAGE RATING : 32 V DC**
- This product meets the ROHS standard**
- My company already got ISO/TS 16949 certificate**

◎	▽
SCALE	
P/N	
REV	

TITLE	<b>PLUG-IN FUSES</b>
PART NO.	<b>ATS</b>

DRAWN BY	<b>CHI</b>
CHECKED BY	<b>JU</b>
DESIGNED BY	<b>JEAN</b>
DATE	<b>12/08/15</b>