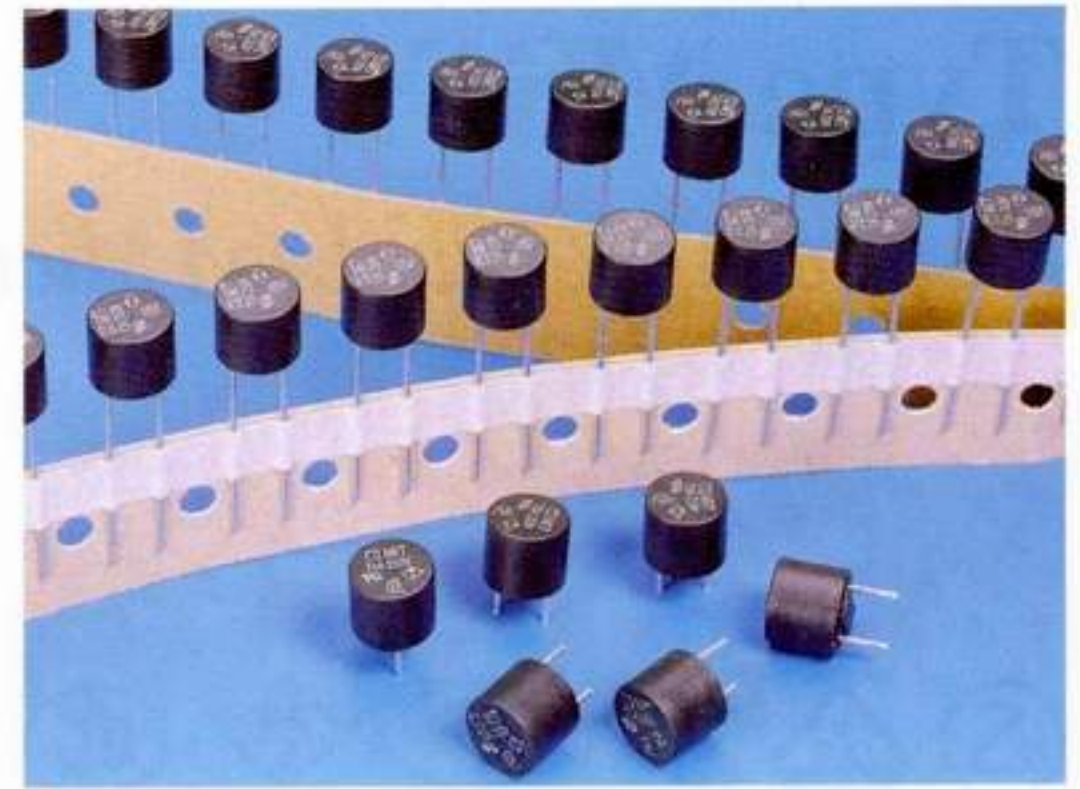


Type MET

Time Lag Radial Lead Micro Fuse Series



Approvals

VDE	40mA~6.3A
UL Recognized	40mA~6.3A
CSA Acceptance	40mA ~6.3A
MITI	1A ~ 5A
SEMKO	40mA~4A
CCC	40mA~4A

Electrical Characteristics

Rated Current	1.5In		2.1In		2.75In		4 In		10 In	
	MIN	MAX	MIN	MAX	MIN	MAX	MIN	MAX	MIN	MAX
40mA~5A	60 min	2 min	400 ms	10 sec	150 ms	3 sec	20 ms	150 ms		
6.3 A	60 min	2 min	400 ms	10 sec	150 ms	3 sec	15 ms	150 ms		

Interrupting Ratings

35 amperes or 10 x rated current; whichever is greater at 250V AC.

Environmental Specification

Operating Temperature

-55°C to +125°C

Shock

MIL-STD-202, Method 213, Condition 1 (Saw tooth)

Vibration

MIL-STD-202, Method 201(10-55 Hz x 3axis/no load)

Salt Spray

MIL-STD-202, Method 101, Test Condition B (48Hrs)

Insulation Resistance

MIL-STD-202, Method 302, Test Condition A (After Opening) 10,000 ohms minimum

Resistance to Solder Heat

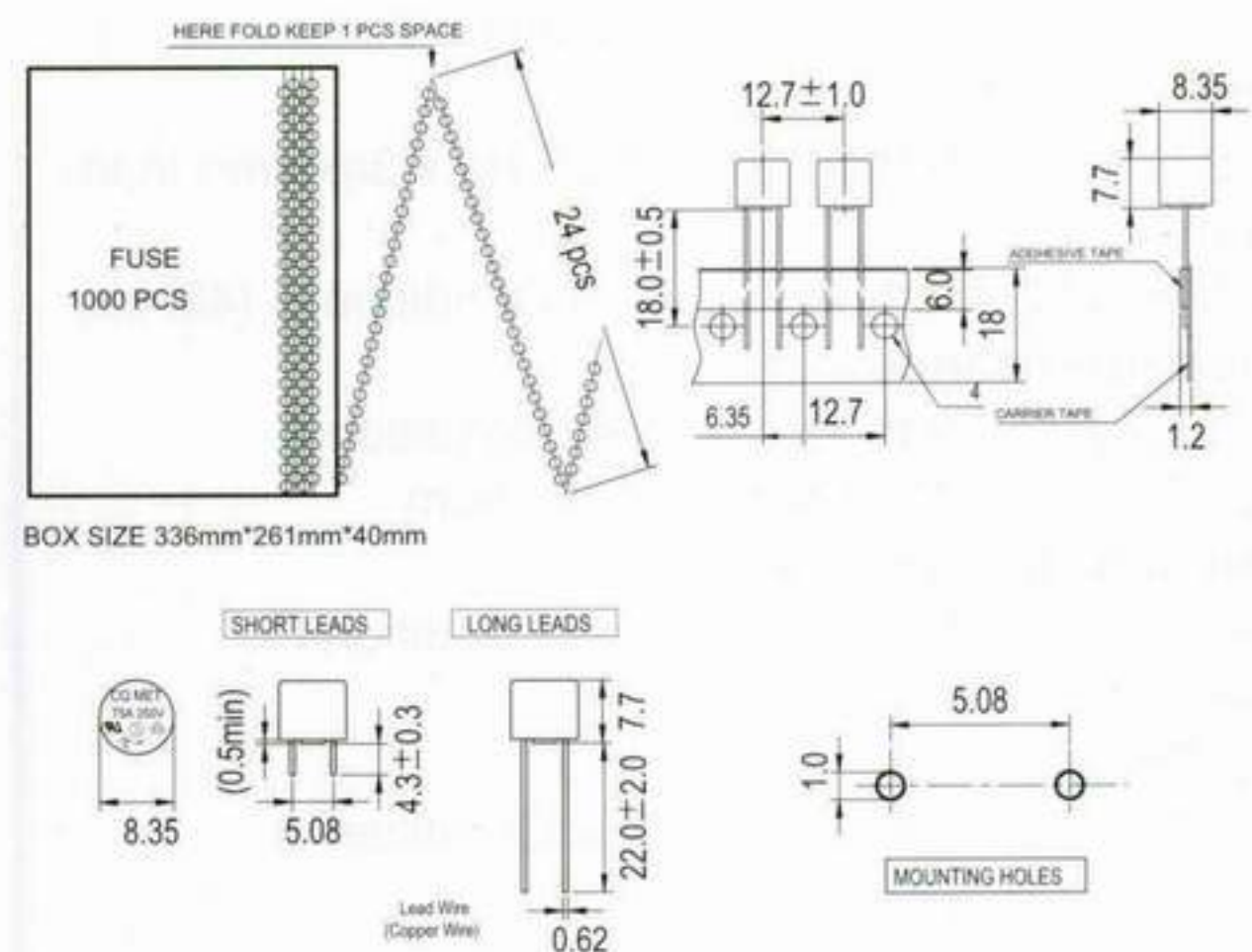
MIL-STD-202, Method 210, Test Condition F (10sec, at 260°C)

Thermal Shock:

MIL-STD-202, Method 107, Test Condition B (-65°C to +125°C)

Cartridge Catalog Number	Ampere Rating [In]	Voltage Rating (V)	Nominal Resistance Cold Ohms	Voltage Drop (mv)MAX	Nominal Melting I ² t A ² Sec
MET .040	40 mA	250V	10.1000	600	0.016000
MET .050	50 mA		6.8470	550	0.020000
MET .063	63 mA		4.6550	500	0.027700
MET .080	80 mA		2.8730	400	0.030000
MET .100	100 mA		2.1170	350	0.040000
MET .125	125 mA		1.2560	300	0.080000
MET .160	160 mA		0.8230	250	0.150000
MET .200	200 mA		0.5960	250	0.260000
MET .250	250 mA		0.4050	220	0.470000
MET .315	315 mA		0.2670	200	0.770000
MET .400	400 mA		0.2000	180	1.200000
MET .500	500 mA		0.1770	170	1.950000
MET .630	630 mA		0.1270	160	3.100000
MET .800	800 mA		0.0860	150	5.100000
MET 001	1 A		0.0650	140	7.800000
MET 1.25	1.25 A		0.0500	130	12.50000
MET 1.60	1.6 A		0.0370	120	20.00000
MET 002	2 A		0.0300	100	32.00000
MET 2.50	2.5 A		0.0220	100	49.00000
MET 3.15	3.15 A		0.0170	100	78.00000
MET 004	4 A		0.0120	100	126.0000
MET 005	5 A		0.0091	100	198.5000
MET 6.30	6.3 A		0.0071	100	315.0000

Mechanical Dimensions



Physical Specification

Materials

Base and Cap: Black thermoplastic, UL 94-V0
Pin: Tin-lead plated alloy

Packaging

1. In bulk: 1,000 pcs per box.
2. On Tap: Ammo pack, 1,000 pcs box

Patented