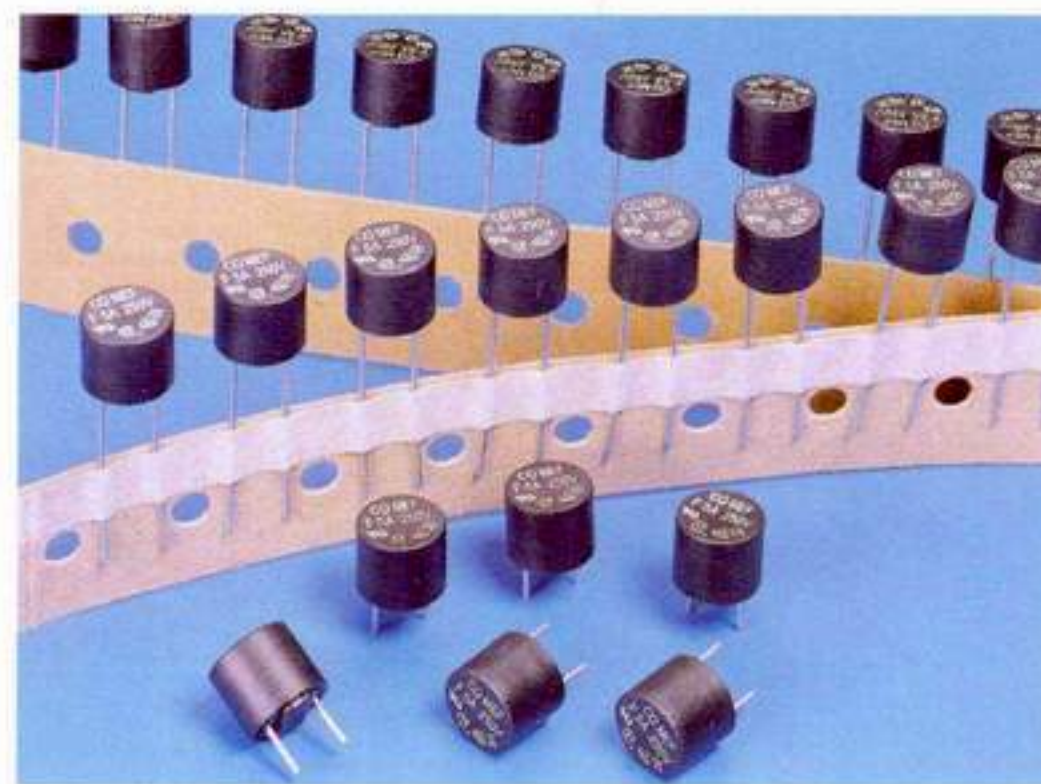


# Type MEF

## Fast Acting Radial Lead Micro Fuse Series



### Approvals

VDE	50mA~6.3A
CSA Acceptance	50mA~6.3A
UL Recognized	50mA~6.3A
MITI	1A~5A
SEMKO	50mA~5A
CCC	50mA~5A

### Electrical Characteristics

Rated Current	1.5In		2.1In		2.75In		4 In		10 In
	MIN	MAX	MIN	MAX	MIN	MAX	MIN	MAX	MAX
50mA~5A	60	30	10	3	3	300	20		
	min	min	ms	sec	ms	ms	ms		
6.3 A	60	30	10	5	3	300	20		
	min	min	ms	sec	ms	ms	ms		

### Interrupting Ratings

35 amperes or 10 x rated current; whichever is greater at 250V AC.

### Environmental Specification

#### Operating Temperature

-55°C to +125°C

#### Shock

MIL-STD-202, Method 213, Condition 1 (Saw tooth)

#### Vibration

MIL-STD-202, Method 201(10-55 Hz x 3axis/no load)

#### Salt Spray

MIL-STD-202, Method 101, Test Condition B (48Hrs)

#### Insulation Resistance

MIL-STD-202, Method 302, Test Condition A (After Opening) 10,000 ohms minimum

#### Resistance to Solder Heat

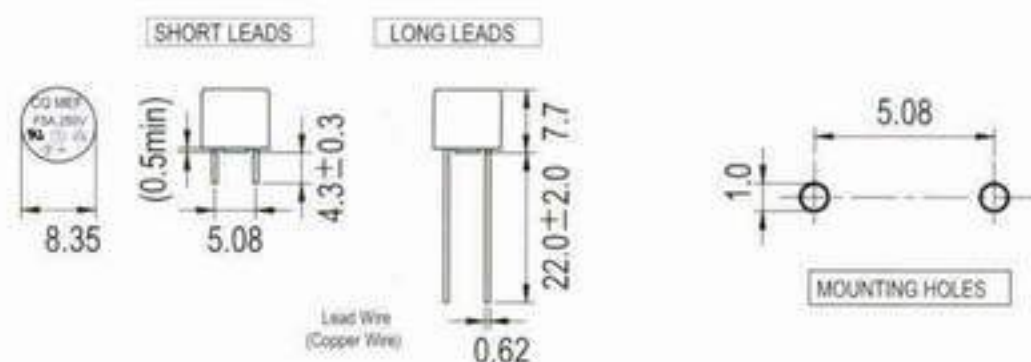
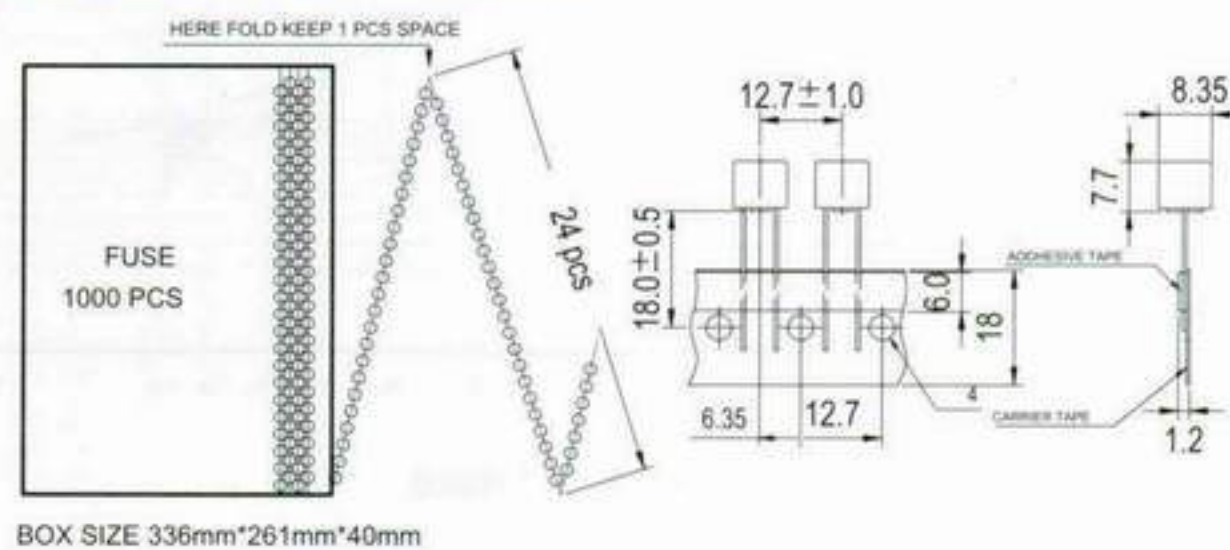
MIL-STD-202, Method 210, Test Condition F (10sec, at 260°C)

#### Thermal Shock:

MIL-STD-202, Method 107, Test Condition B (-65°C to +125°C)

Cartridge Catalog Number	Ampere Rating [In]	Voltage Rating (V)	Nominal Resistance Cold Ohms	Voltage Drop (mv)MAX	Nominal Melting I <sup>2</sup> t A <sup>2</sup> Sec
MEF .050	50 mA	250V	4.1970	650	0.000325
MEF .063	63 mA		2.8020	500	0.001580
MEF .080	80 mA		1.8650	400	0.003200
MEF .100	100 mA		1.7410	350	0.005000
MEF .125	125 mA		1.2620	350	0.006250
MEF .160	160 mA		0.8290	330	0.007680
MEF .200	200 mA		0.4850	300	0.024000
MEF .250	250 mA		0.3670	250	0.043750
MEF .315	315 mA		0.2720	230	0.059530
MEF .400	400 mA		0.1940	210	0.080000
MEF .500	500 mA		0.1290	170	0.083000
MEF .630	630 mA		0.0960	150	0.119000
MEF .800	800 mA		0.072	130	0.192000
MEF 001	1 A		0.0520	120	0.300000
MEF 1.25	1.25 A		0.0430	120	0.468700
MEF 1.60	1.6 A		0.0310	110	0.896000
MEF 002	2 A		0.0260	110	1.200000
MEF 2.50	2.5 A		0.0190	100	2.500000
MEF 3.15	3.15 A		0.0140	100	3.969000
MEF 004	4 A		0.0110	100	7.200000
MEF 005	5 A	0.0083	90	15.000000	
MEF 6.30	6.3 A	0.0061	80	47.628000	

### Mechanical Dimensions



### Physical Specification

#### Materials

Base and Cap: Black thermoplastic, UL 94-V0

Pin: Tin-lead plated alloy

#### Packaging

1. In bulk: 1,000 pcs per box.
2. On Tap: Ammo pack, 1,000 pcs box

### Patented