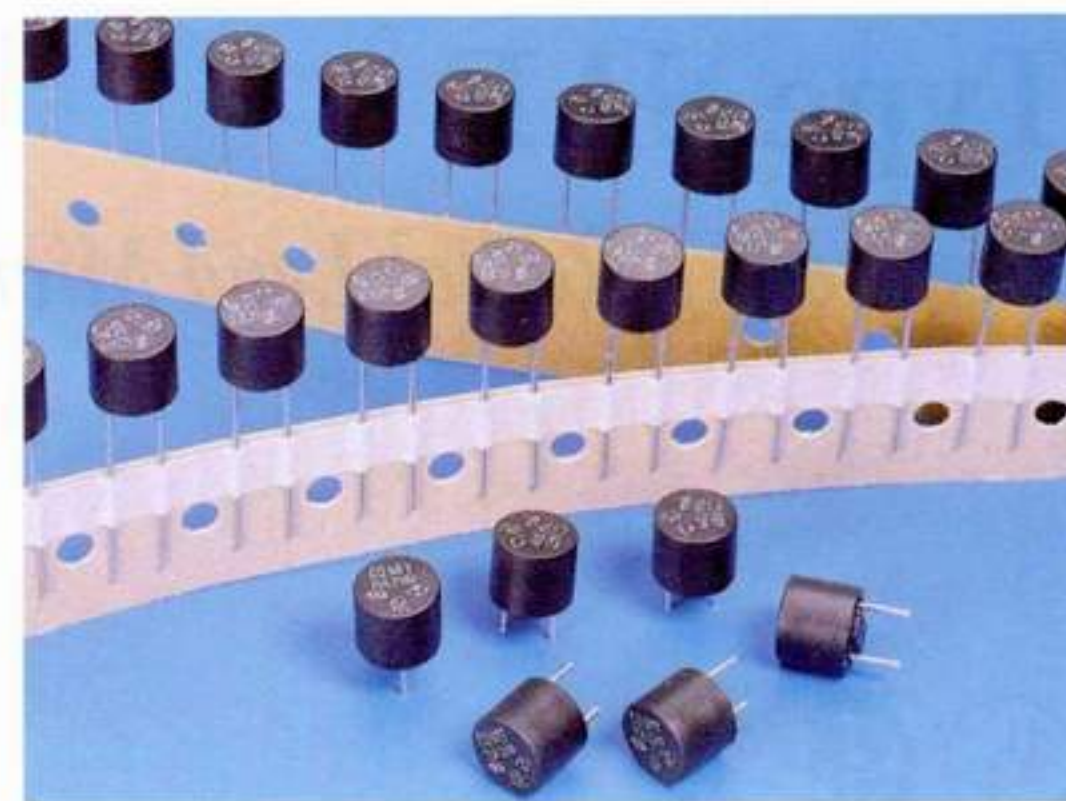


Type MAT

Time Lag Radial Lead Micro Fuse Series



Approvals

UL Listed	40mA~10A
CSA Certified	40mA~6.3A

Electrical Characteristics

Rated Current	1.0 In		2.0 In	
	MIN	MIN	MIN	MAX
40mA~6.3A	4 hours	3sec		60sec

Interrupting Ratings

50 amperes at 250V AC.

Environmental Specification

Operating Temperature

-55°C to +125°C

Shock

MIL-STD-202, Method 213, Condition 1 (Saw tooth)

Vibration

MIL-STD-202, Method 201(10-55 Hz x 3axis/no load)

Salt Spray

MIL-STD-202, Method 101, Test Condition B (48Hrs)

Insulation Resistance

MIL-STD-202, Method 302, Test Condition A (After Opening) 10,000 ohms minimum

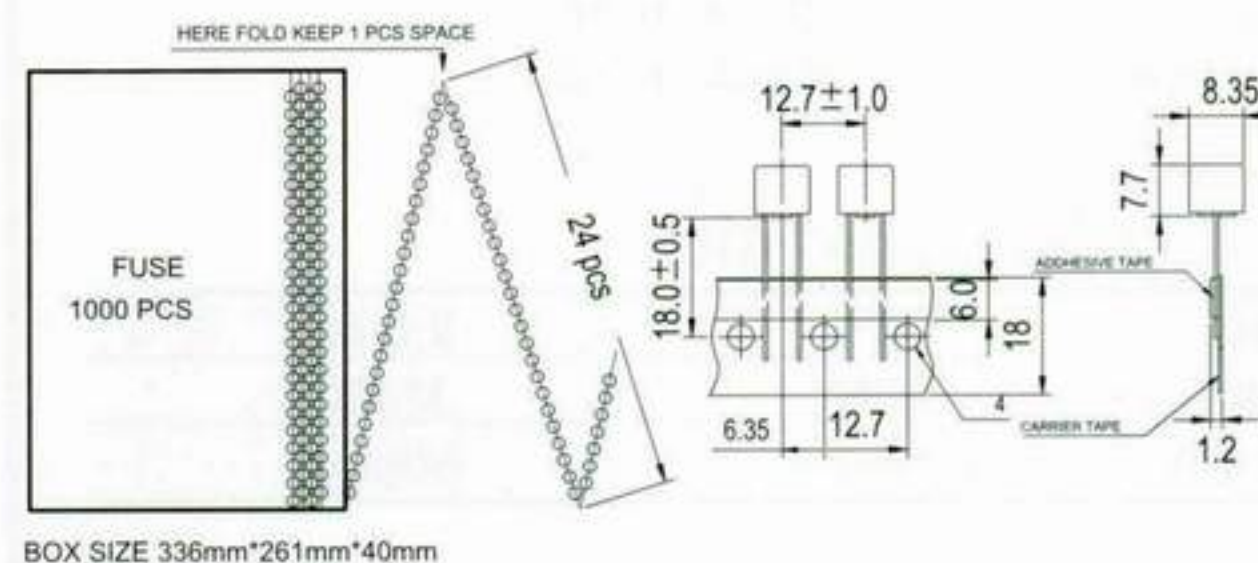
Resistance to Solder Heat

MIL-STD-202, Method 210, Test Condition F (10sec, at 260°C)

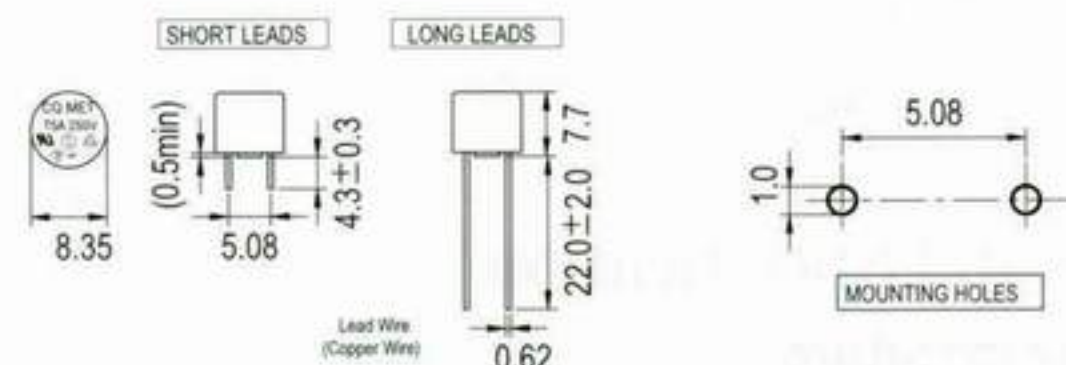
Thermal Shock:

MIL-STD-202, Method 107, Test Condition B (-65°C to +125°C)

Mechanical Dimensions



BOX SIZE 336mm*261mm*40mm



Physical Specification

Materials

Base And Cap: Black thermoplastic
Pin: Tin-lead plated alloy

Packaging

1. In bulk: 1,000 pcs per box.
2. On Tap: Ammo pack, 1,000 pcs box