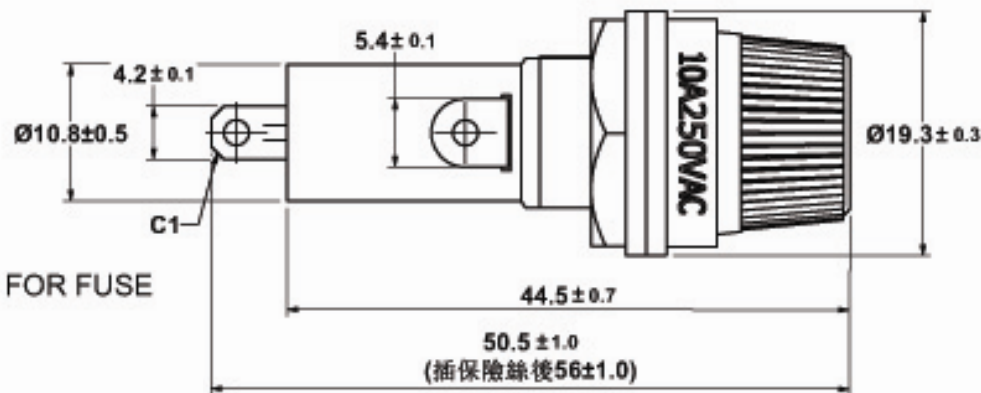
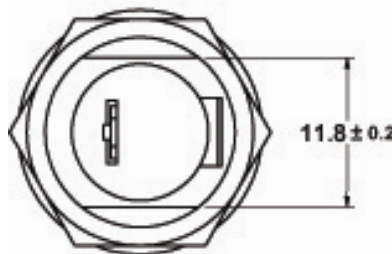
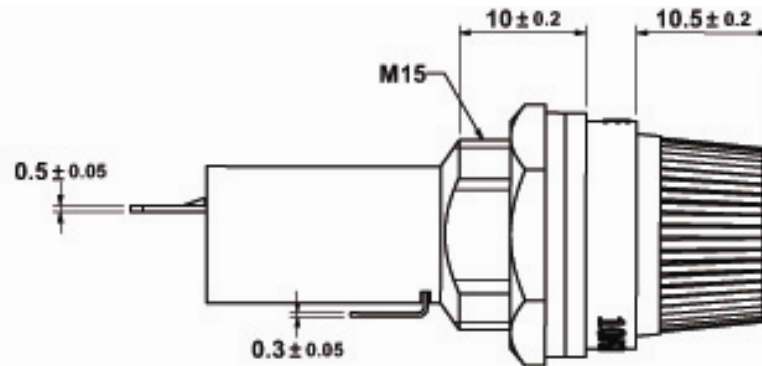


Recommended Mounting Hole



FUSE HOLDER PANEL MOUNT TYPE FOR FUSE
6.3X30mm AND 6.3X32mm FUSE
SPECIFICATIONS:

- *Electrical: Rated at 10A 250V AC
- *Insulating Body: Bakelite
- *Konb: Screw-driver slot fuse extractor type with nickel-plated copper alloy insert. Spring loaded.
- *Terminals: Nickel-plated copper alloy, right angle terminal, solder type.

1. Insulating Body——Bakelite
2. Applicable: For 6.3×32 mm and 6.3×30 mm Fuse
3. Electrical: Rate at 10A 250VAC
4. This product meets the ROHS standard
5. My company already got ISO/TS 16949 certificate

◎	▽
SCALE	
P/N	
REV	

TITLE	Fuse Holder
PART NO.	

DRAWN BY	CHI
CHECKED BY	JU
DESIGNED BY	JEAN
DATE	26/11/09