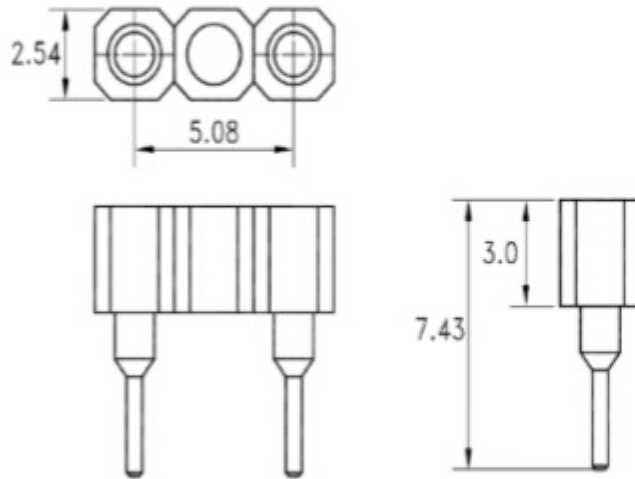


## MST Fuse Holder



**A.** Housing : Glass filled polyester  
UL94-V0

**B.** Insulation Resistance : 103M $\Omega$   
at V=100V

**C.** Temperature Range : -55°C to  
125°C

**D.** Inner Clip : Beryllium copper-  
gold plated, Heat treated

**E.** Plating : Nickel / Tin

**F.** Current Rating : 3A

**G.** Contact Resistance : <4m $\Omega$

**H.** Insertion Force : <250g

**I.** Withdrawal Force : >50g

淮洋有限公司 HUI YANG CO., LTD.

TEL : 886-(02)-8261-8986 | FAX : 886-(02)-8261-1885

23669新北市土城區中央路二段191號10樓之5

10F.-5 , No.191 , Sec.2 , Zhongyang Rd. , Tucheng District , New Taipei City Taiwan 23669 , R.O.C