
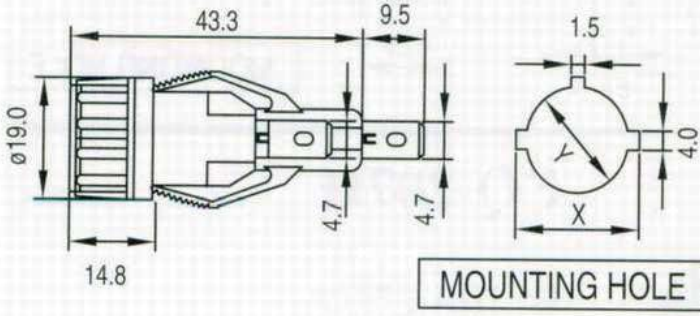


CQ-207R

B: 10A 250V.
C: 100MΩ Min
D: 10mΩ At 1A DC
E: AC1500V Min.

Bayonet Knob
Approvals: 



PDNEL	X	Y
T		
1.0	14.3	13.5
1.5	14.4	
2.0	14.5	
2.5	14.6	+0.1 -0
3.0	14.7	
3.5	14.8	

Panel Mount Fuse Holder For 1/4"x1-1/4(6.2x32mm) Fuses

*Rated Current : 10A/250V

*Insulation Resistance At 500VDC : 100MΩ Min

*Contact Resistance : 10mΩ At 1A DC

*Dielectric Strength For 60 Sec : AC1500V Min.

*Approvals : RU,CSA

Bayonet Knob