
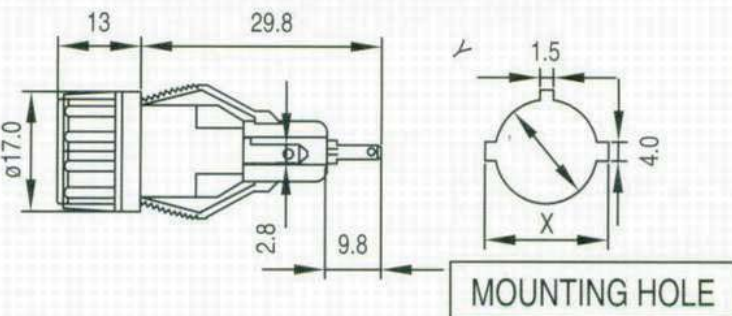


**CQ-206A**

**B: 10A 250V.**  
**C: 100MΩ Min**  
**D: 5mΩ At 1A DC**  
**E: AC1500V Min.**  
**Bayonet Knob**  
**Approvals:**

PDNEL T	X	Y
1.0	12.8	11.5
1.5	12.9	
2.0	13.0	+0.1 -0
2.5	13.1	
3.0	13.2	
3.5	13.3	

Panel Mount fuse Holder For 5x20mm Fuses

\*Rated Current : 10A/250V

\*Insulation Resistance At 500VDC : 100MΩ Min

\*Contact Resistance : 10mΩ At 1A DC

\*Dielectric Strength For 60 Sec : AC1500V Min.

\*Approvals : RU,CSA

Bayonet Knob