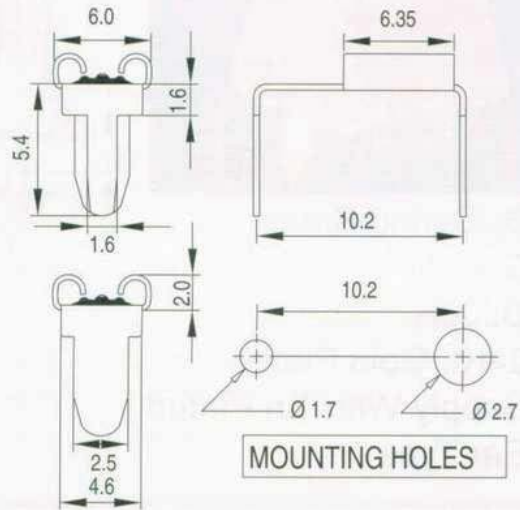




**B:** Spring Brass  
**C:** 0.3t  
**D:** 15A  
Bright Tin Plated

## CQ-114 For ATQ Blade Horizontal Clip



P.C. Board Mount Fuse Clips For ATQ Blade Horizontal Clip

\*Metal Material : Spring Brass

\*Material Thickness : 0.3t

\*Suitable Rated Current : 15A

Bright Tin Plated