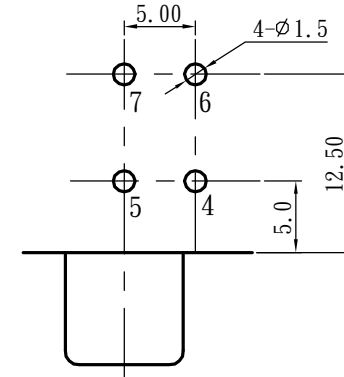
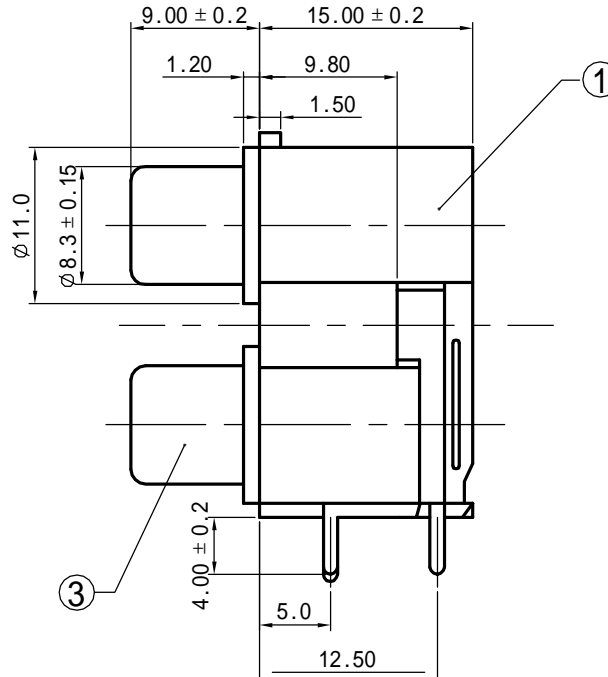
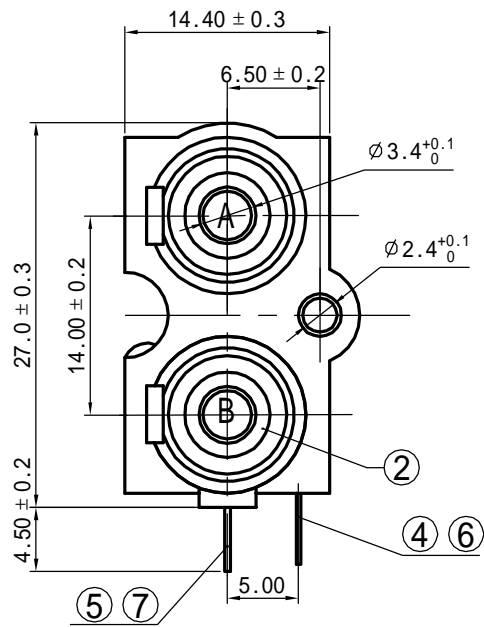
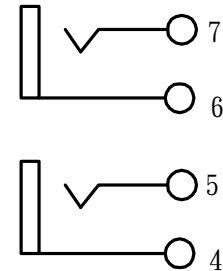


ALLOWANCE	
UNDER 3	±0.1
3 TO 6	±0.15
6 TO 15	±0.2
15 TO 50	±0.25
50 OVER	±0.3



PCB LAYOUT



SCHEMATIC

COLOR TABLE

CODE	A	B
COLOR	WHITE	RED

7	TERMINAL-D	BRASS t=0.5	1	CuSn PLATED
6	TERMINAL-C	BRASS t=0.4	1	CuSn PLATED
5	TERMINAL-B	BRASS t=0.5	1	CuSn PLATED
4	TERMINAL-A	BRASS t=0.4	1	CuSn PLATED
3	SOCKET	BRASS t=0.36	2	CuSn PLATED
2	WASHER	ABS	2	SEE COLOR TABLE
1	HOUSE	ABS	1	BLACK
NO:	PART NAME	MATERIAL	QTY	FINISHING

MODEL: NO RCA-219	ALLOWANCE:	DRAWN BY:
TYPE: RCA JACK	UNIT: mm	CHECKED BY:
MATERIAL NO:	SCALE:	APPROVED BY:
PROJECTION		淮洋有限公司 HUAI YANG CO., LTD.