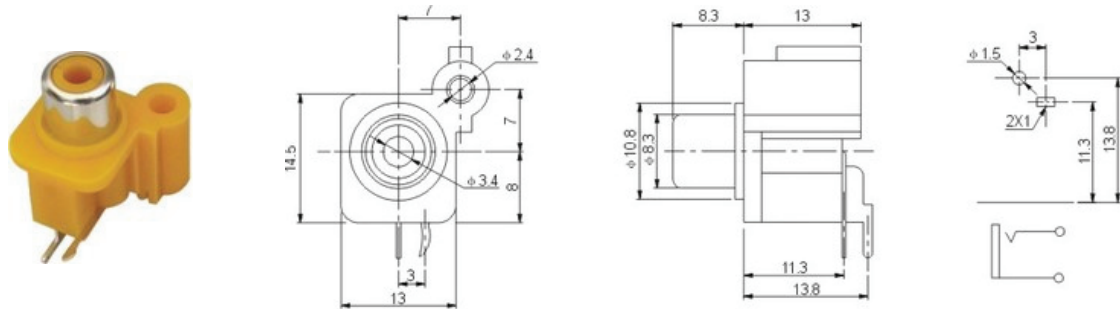


產品名稱：RCA-112



RCA同芯插座系列主要技術指標 Specification of AV pin jack board

使用溫試範圍 Temperature	-40~70℃	耐壓 Withsand Voltage	AC 500V(50HZ)/min
額定負荷 Rated Load	DC 50V 1A	插拔力 Insertion and Extraction Force	3~30N
接觸電阻 Contact Resistance	≤0.03Ω	壽命 Life	5000次
絕緣電阻 Insulation Resistance	≥100MΩ		