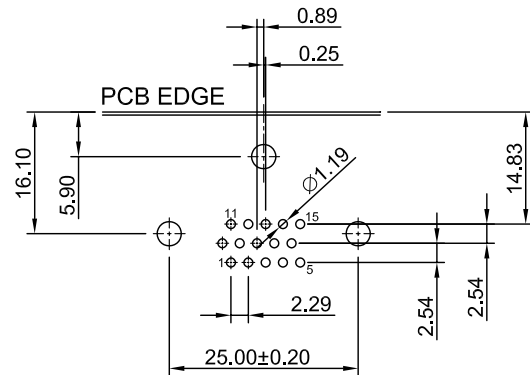
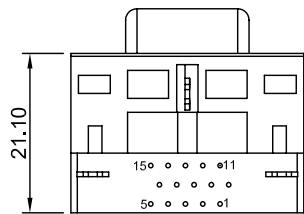
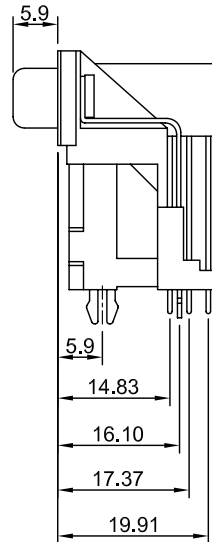
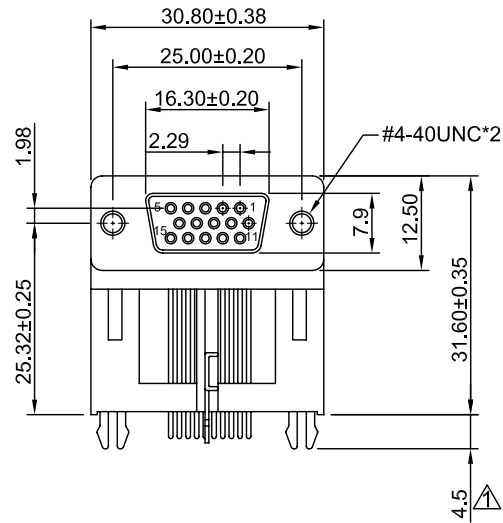


| REV. | ECN. | DATE | DWN | APVD |
|------|---------------|----------|-------|-------|
| A.1 | ECN-070321-01 | 09/11/08 | MANDY | HENRY |



MATERIAL:

INSULATOR : THERMOPLASTIC ,UL 94V-0. Δ
 STANDARD : PBT.
 CONTACT : COPPER ALLOY
 CONTACT FINISH : GOLD OVER NICKEL.
 SHELL : STEEL, NICKEL PLATED.
 BOARDLOCK : BRASS, TIN PLATED
 RIVETED INSERT : BRASS, NICKEL PLATED

SPECIFICATION:

CURRENT RATING : 2 AMP.
 DIELECTRIC WITHSTANDING VOLTAGE : 1000V AC FOR 1 MINUTE.
 INSULATION RESISTANCE : 1000M Ω MIN. AT 500V DC.
 CONTACT RESISTANCE : 15m Ω MAX.
 OPERATING TEMPERATURE : -55°C ~ +105°C.

ORDER INFORMATION :

DD9A - 15 0 1 9 B 1 0 0 - R
 1 2 3 4 5 6 7 8 9 10

- | | |
|---------------------------|---------------------------------|
| 1. SERIES: | 7. SHELL PLATING: |
| 2. POSITION: | 1= NICKEL |
| 15 = 15 PIN | 8. MOUNTING OPTIONS: |
| 3. CONTACT TYPE/MATERIAL: | 0=RIVET W/BOARDLOCK |
| 0=FEMALE/COPPER ALLOY | 9. MATING OPTIONS: |
| 4. CONTACT PLATING: | 0=4#40 THREADED RIVETED |
| 1=SELECTIVE GOLD FLASH | 1=FIXED HEX-SCREWS (4.8X11.8mm) |
| 5. INSULATOR COLOR: | 6=FIXED HEX-SCREWS (5.8X12.8mm) |
| 1=BLACK | 7=LOOSE HEX-SCREWS |
| 9=FOR PC99 COLOR | 10. GREEN PRODUCT: |
| 6. INSULATOR MATERIAL: | R=RoHS COMPLIANT |
| B=PBT | |
| C=NYLON | |

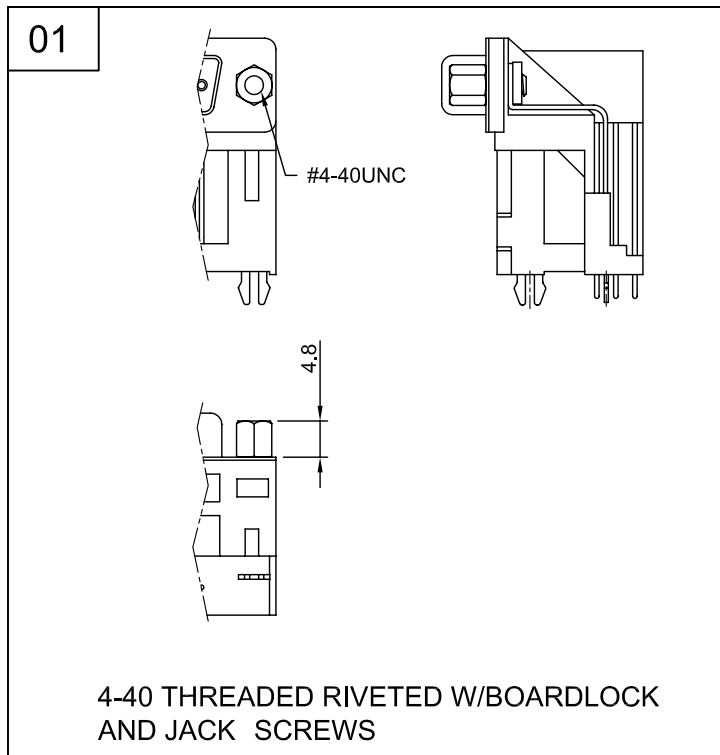
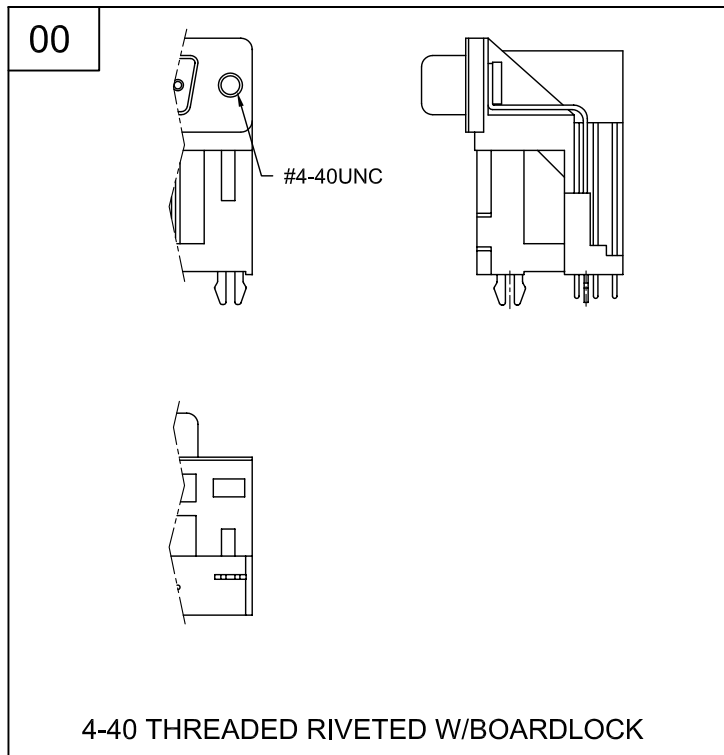
淮洋有限公司 HUI YANG CO., LTD.
 www.hy1688.com.tw TEL:886-2-82618986

GENERAL TOLERANCE
 X.X ± 0.25
 X.XX ± 0.15
 X.XXX ± 0.05
 ANGLE TOLERANCE ± 1°
 RADIUS ± 0.25
 HOLE ± 0.13

| | | | | | | |
|-----------|-------|------|----------------|-------------|------------------------------------|------------------|
| DRAWN. | Peter | DATE | 06 - 29 - 2005 | DRAWING NO. | C-DD0008 | CUSTOMER DRAWING |
| CHECKED. | HENRY | DATE | 07 - 01 - 2005 | TITLE. | HIGH DENSITY D-SUB HIGH RISE 15PIN | |
| APPROVED. | HENRY | DATE | 07 - 01 - 2005 | PART NO. | DD9A-1501XX100-R | REV A.1 |

| | | | | |
|------|------|--------|--------|--|
| SIZE | UNIT | SCALE. | SHEET. | |
| A4 | mm | 1 : 1 | 1 OF 1 | |

| REV. | ECN. | DATE | DWN | APVD |
|------|---------------|----------|-------|-------|
| A.1 | ECN-070321-01 | 09/11/08 | MANDY | HENRY |



| | | | | | | | | | | | | | | |
|---|------------|-----------------|------------------|--|--|--|---|--|---|--|--|--|-----------------------------|--|
| 淮洋有限公司 HUI YANG CO., LTD. www.hy1688.com.tw TEL:886-2-82618986 | | | | | GENERAL TOLERANCE X.X ± 0.25 X.XX ± 0.15 X.XXX ± 0.05 ANGLE TOLERANCE ± 1° RADIUS ± 0.25 HOLE ± 0.13 | | DRAWN. Peter CHECKED. HENRY APPROVED. HENRY | | DATE 06 - 29 - 2005 DATE 07 - 01 - 2005 DATE 07 - 01 - 2005 | | DRAWING NO. C-DD0007 TITLE. HIGH DENSITY D-SUB HIGH RISE 15PIN PART NO. DD9A-150-MOUNT | | CUSTOMER DRAWING REV A.1 | |
| SIZE A4 | UNIT mm | SCALE. 1 : 1 | SHEET. 1 OF 1 | | | | | | | | | | | |