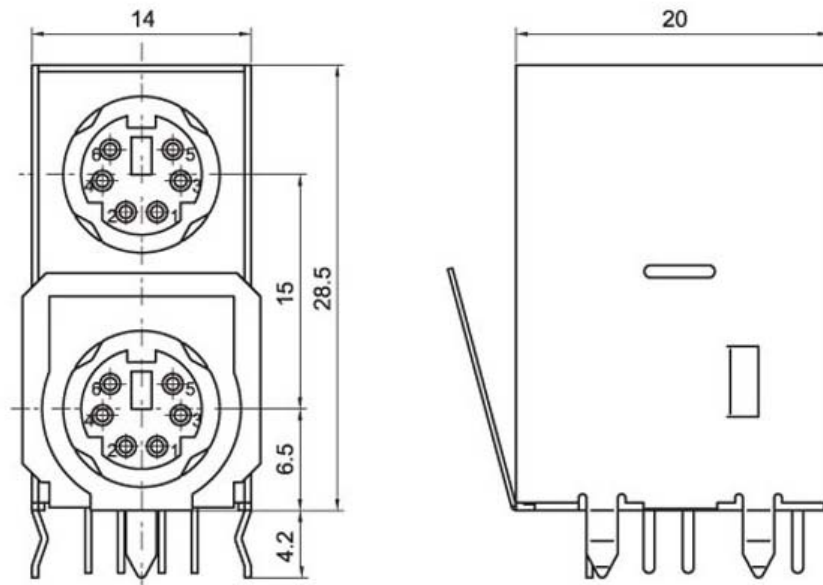




MDC2-107G



<p>孔位布局 ARRANGEMENT OF CONTACTS</p>		
<p>接点数(NO. OF CONTACTS)</p>	4	6
<p>产品型号(MODEL NO.)</p>	MDC2-4-107G	MDC2-6-107G
<p>线路板开孔示意图 P.C.B LAYOUT (VIEWED FROM COPPER SIDE)</p>		