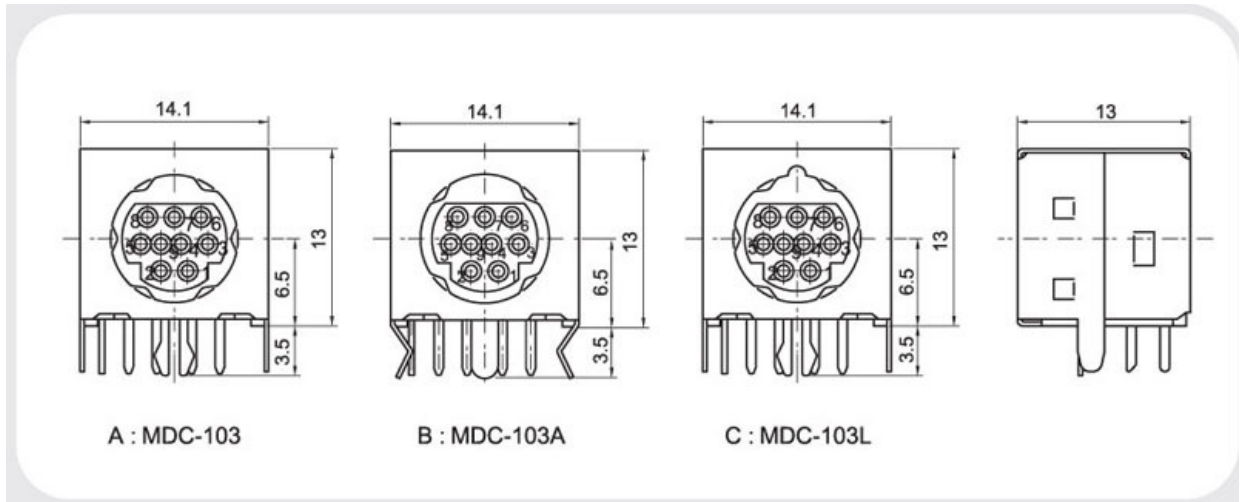


MDC-103/103A/103L



| 孔位布局 ARRANGEMENT OF CONTACTS | | | | | | | | |
|--|--------------|------------|------------|------------|------------|-------------|------------|------------|
| 接点数(NO. OF CONTACTS) | 3 | 4 | 5 | 6 | 7 | 7A | 8 | 9 |
| 产品型号(MODEL NO.) | A MDC-3-103 | MDC-4-103 | MDC-5-103 | MDC-6-103 | MDC-7-103 | MDC-7A-103 | MDC-8-103 | MDC-9-103 |
| | B MDC-3-103L | MDC-4-103L | MDC-5-103L | MDC-6-103L | MDC-7-103L | MDC-7A-103L | MDC-8-103L | MDC-9-103L |
| | C MDC-3-103A | MDC-4-103A | MDC-5-103A | MDC-6-103A | MDC-7-103A | MDC-7A-103A | MDC-8-103A | MDC-9-103A |
| 线路板开孔示意图 P.C.B LAYOUT (VIEWED FROM COPPER SIDE) | | | | | | | | |