

FL00601XX

3-8P Lock 母頭(15.7L) ELECTRICAL CHARACTERISTICS



料號：FL00601XX

Rating: 100V AC 1A Max. or 12V DC 2A Max.

銅管：黃銅.

Insulation resistance: 50MΩ Min. at 250V DC

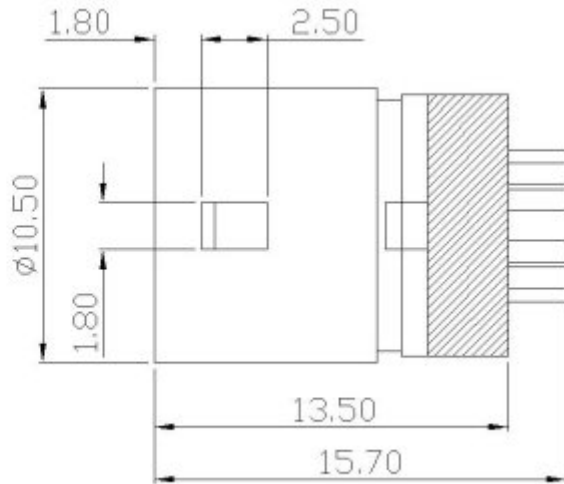
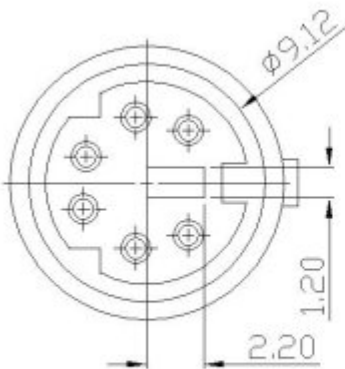
塑膠：PBT,UL 94 V-0

Dielectric strength: 250V AC/1 minute

PIN 針：磷銅

Insertion force:4.5kg Max.

Withdrawal force: 0.9kg~3.0kg



3PIN

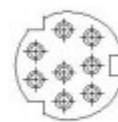
4PIN

5PIN

6PIN

7PIN

8PIN



FL00301XX

FL00401XX

FL00501XX

FL00601XX

FL00701XX

FL00801XX

淮洋有限公司 HUI YANG CO., LTD

TEL : 886 - (02) - 82610858


FAX : 886 - (02) - 82611885

網址-1 : <http://www.hy1688.com>

網址-2 : <http://www.hy1688.com.tw>

E-mail : hy@hy1688.com

E-mail : hy1688@hy1688.com

236 台北縣土城市中央路二段 191 號 10 樓之 5 

10F.-5, No.191, Sec. 2, Zhongyang Rd., Tucheng City, Taipei County Taiwan 236, R.O.C

品質 專業 誠實 服務

High Quality, Professional, Honest and Best Service.