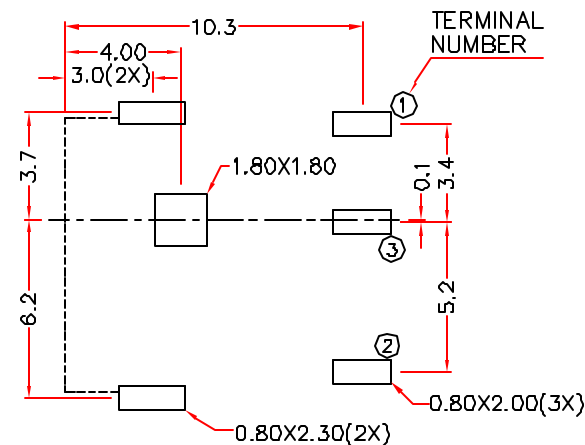
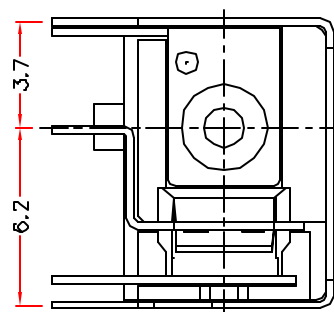
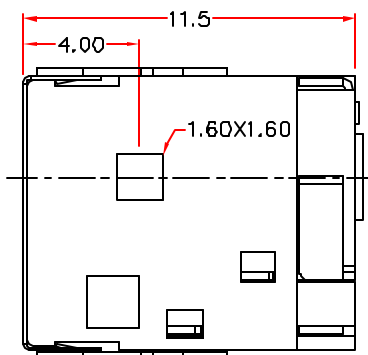
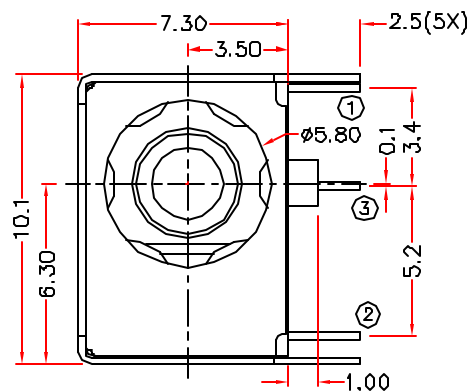
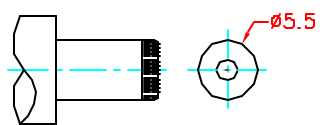


RoHS
Compliant

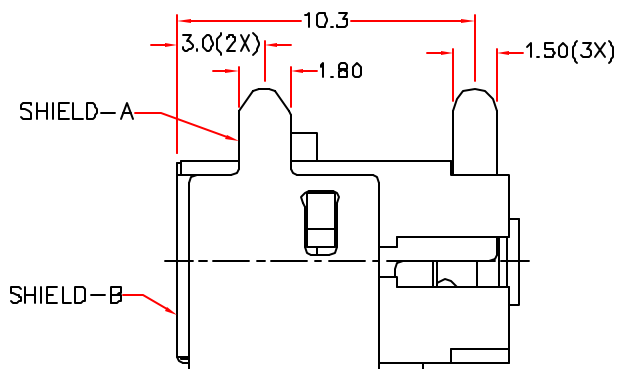
ZONE	SYMBOL	REVISION	APPROVAL	DATE
C4		ADD CENTER PIN ITEM	J.X.KUANG	17-9-2007



PCB LAYOUT
(BOTTOM VIEW)



DC MATE PLUG



MODEL NO.	HDC-906HS
SCHEMATIC	
CENTER PIN	∅2mm ∅2.5mm

* MATERIAL

CENTRE PIN : COPPER
 TERMINAL 1 : BRASS
 TERMINAL 2 : COPPER ALLOY
 TERMINAL 3 : BRASS
 SHIELD-A : BRASS
 SHIELD-B : STAINLESS STEEL
 HOUSING : PBT

HUAI YANG CO.,LTD. 淮洋有限公司 TEL:886-2-8261-0858

PART NAME	HIGH CURRENT DC POWER SOCKET	TOLERANCE UNLESS	0.0±0.2 0.00±0.1	UNIT:		DESIGN	G.P.YI	DATE	1-3-2007	SCALE	4:1
PART NO.	HDC-906HS	OTHERWISE SPECIFIED:	0.000±0.05	mm		DRAWING	T.Y.LI	DATE	17-9-2007	MATERIAL	*
						CHECK		DATE		DWG. NO.	TZ/DC09HS-PBT/B
						APPROVAL		DATE		SHEET	