

F

E

D

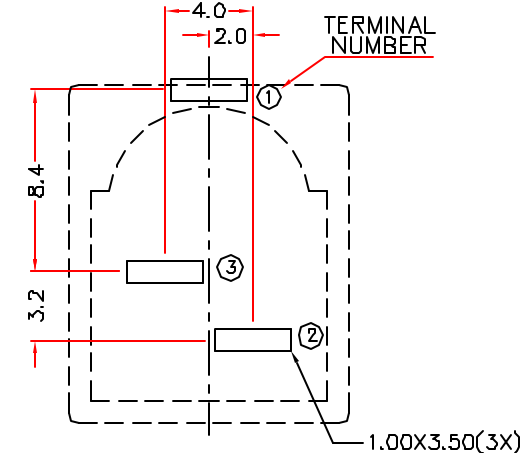
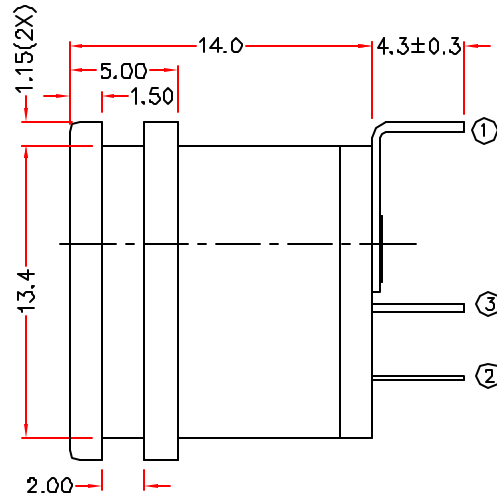
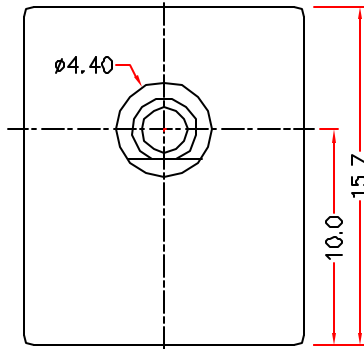
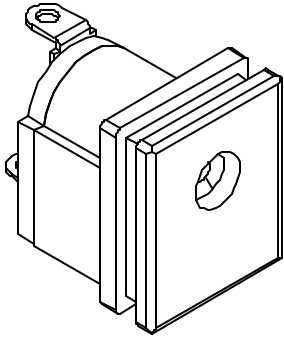
C

B

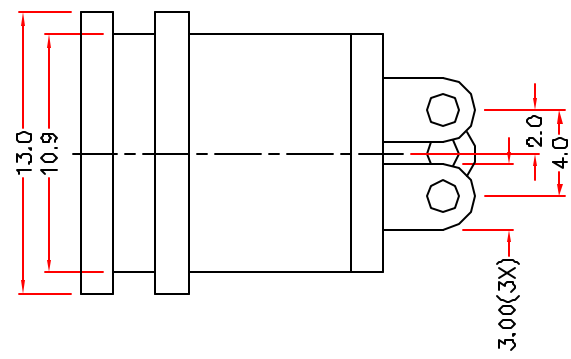
A

RoHS
Compliant

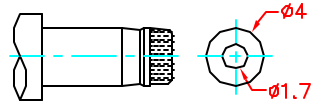
ZONE	SYMBOL	REVISION	APPROVAL	DATE
		ADD MATE PLUG	J.X.KUANG	29-9-2006



MODEL NO.	HDC-902H
SCHMATIC	
CENTER PIN	∅1.65mm



*** MATERIAL**
 CENTRE PIN : COPPER
 TERMINAL 1 : BRASS
 TERMINAL 2 : COPPER ALLOY
 TERMINAL 3 : BRASS
 HOUSING : PBT
 COVER : PBT



DC MATE PLUG

HUAI YANG CO.,LTD. 淮洋有限公司 TEL:886-2-8261-0858

DESIGN	J.X.KUANG	DATE	10-10-2003	SCALE	3:1
DRAWING	L.L.ZHANG	DATE	29-9-2006	MATERIAL	*
CHECK		DATE		DWG. NO.	TZ\DC029H-PBT/B
APPROVAL		DATE		SHEET	

PART NAME	HIGH CURRENT DC POWER SOCKET	TOLERANCE UNLESS	0.0±0.2 0.00±0.1	UNIT:	
PART NO.	HDC-902H	OTHERWISE SPECIFIED:	0.000±0.05		

F

E

D

C

B

A

DCF-04/A