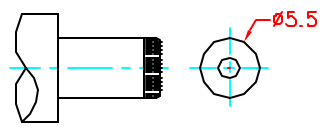
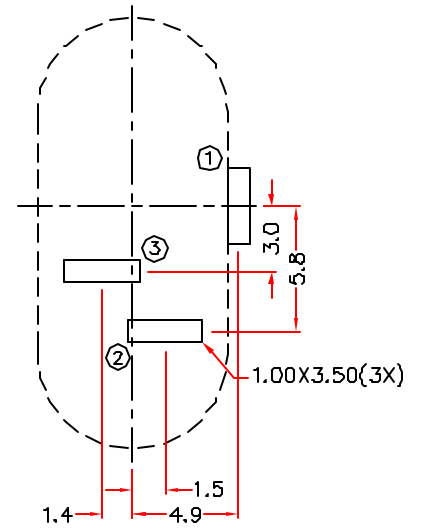
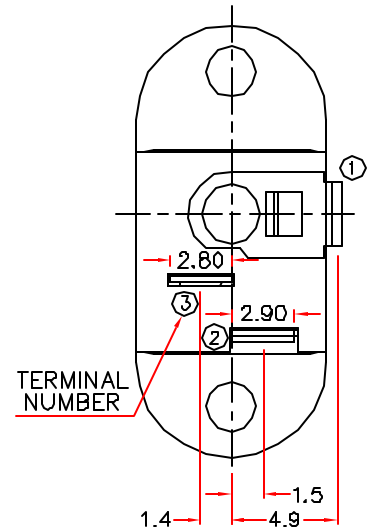
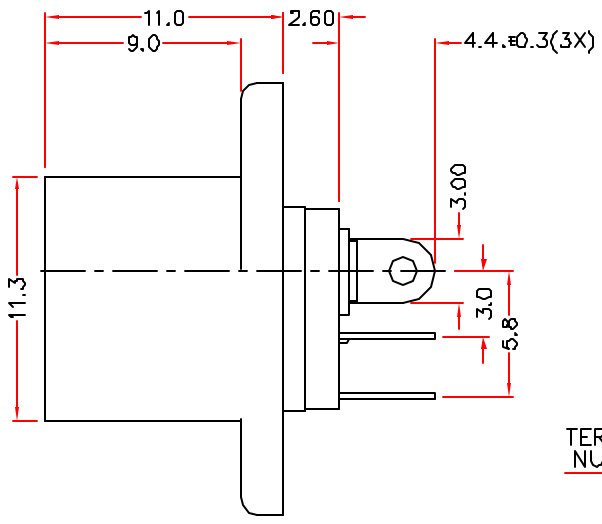
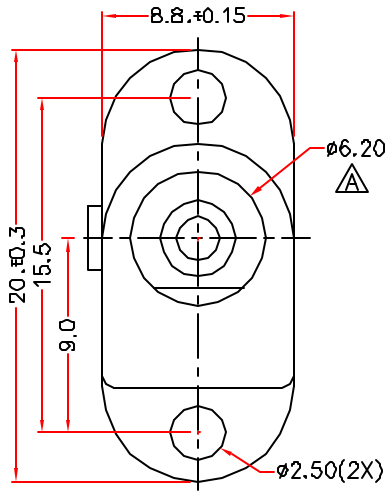
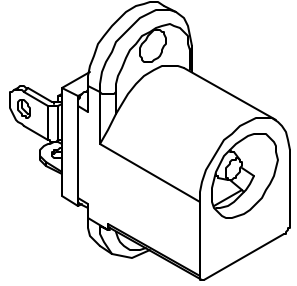


		ADD MATE PLUG	J.X.KUANG	25-9-2006
ZONE	SYMBOL	REVISION	APPROVAL	DATE
E2	△	φ6.40 MODIFIED TO φ6.20	J.X.KUANG	14-5-2007

RoHS
Compliant



DC MATE PLUG

MODEL NO.	HDC-901H
SCHEMATIC	
CENTER PIN	φ2mm
	φ2.5mm

- * MATERIAL
 CENTRE PIN : COPPER
 TERMINAL 1 : BRASS
 TERMINAL 2 : COPPER ALLOY
 TERMINAL 3 : BRASS
 HOUSING : PBT
 COVER : PBT

HUAI YANG CO.,LTD. 淮洋有限公司 TEL:886-2-8261-0858

PART NAME	HIGH CURRENT DC POWER SOCKET	TOLERANCE UNLESS	0.0±0.2 0.00±0.1	UNIT:		DESIGN	L.L.ZHANG	DATE	4-4-2005	SCALE	3:1
PART NO.	HDC-901H	OTHERWISE SPECIFIED:	0.000±0.05			DRAWING	L.L.ZHANG	DATE	14-5-2007	MATERIAL	*
						CHECK		DATE		DWG. NO.	TZ\DC019H-PBT/C
						APPROVAL		DATE		SHEET	

1

2

3

4

1

2

3

4

F

E

D

C

B

A