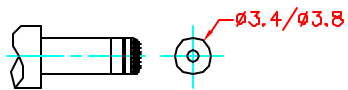
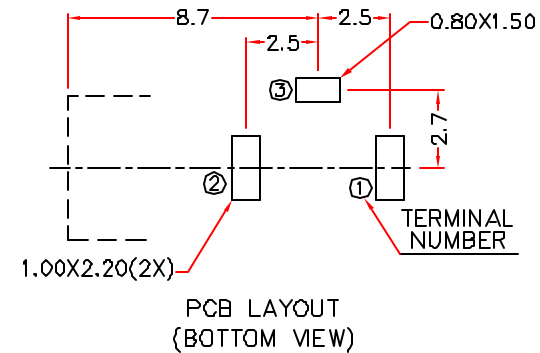
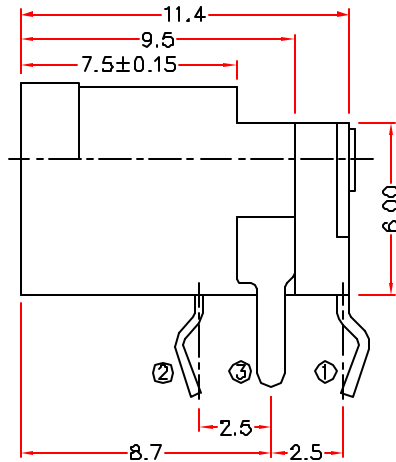
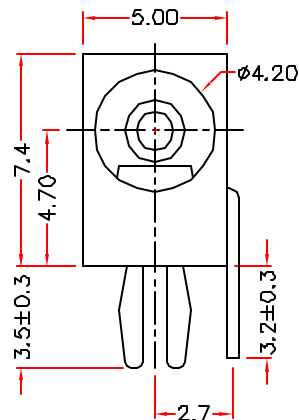
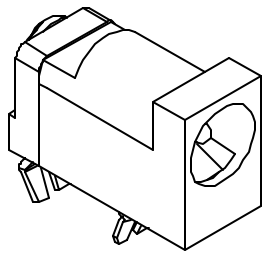
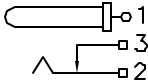


ZONE	SYMBOL	REVISION	APPROVAL	DATE
		ADD MATE PLUG	J.X.KUANG	21-9-2006

RoHS  
Compliant



DC MATE PLUG

MODEL NO.	HDC-900H-2
SCHEMATIC	
CENTER PIN	1mm
	1.3mm

\* MATERIAL

CENTRE PIN : COPPER  
 TERMINAL 1 : BRASS  
 TERMINAL 2 : COPPER ALLOY  
 TERMINAL 3 : BRASS  
 HOUSING : PBT  
 COVER : PBT

HUAI YANG CO.,LTD. 淮洋有限公司 TEL:886-2-8261-0858

PART NAME	HIGH CURRENT DC POWER SOCKET	TOLERANCE UNLESS	0.0±0.2	UNIT:		DESIGN	J.X.KUANG	DATE	8-10-2003	SCALE	4:1
PART NO.	HDC-900H-2	OTHERWISE SPECIFIED:	0.00±0.1 0.000±0.05	mm		DRAWING	L.L.ZHANG	DATE	21-9-2006	MATERIAL	*
						CHECK		DATE		DWG. NO.	TZ\DC009H-2-PBT/B
						APPROVAL		DATE		SHEET	